

# VTB Ball valves



**VTB** valves by vapo

## Table of contents

Adress	2
A10 Brass ball valve	3
A50 Brass ball valve	3
A25 Brass 2-way ball valve - 1/4" up to 4"	4
A02 SS316 2-piece ball valve - 1/2" up to 2"	8
S02D SS316 2-piece ball valve - 1/4" up to 4"	9
S24 SS316 2-piece high pressure ball valve - 1/4" up to 2"	12
S57D 3-way SS316 ball valve - 1/2" up to 2"	15
S350D 3-way ball valve SS316 - DN 15 up to DN 50	18
A13 / A13C 3-piece ball valve - 1/2" up to 4"	21
S13D / C13D 3-piece ball valve - 1/2" up to 4"	24
S33D SS316 3-piece ball valve - 1/2" up to 2"	27
S15D SS316 wafer type ball valve PN16 - DN 15 up to DN 100	30
S15F SS316 wafer type ball valve PN16 - DN 125-150-200	33
S15F SS316 wafer type ball valve PN16 - DN 125-150-200	34
S10F/C10F wafer type ball valve PN16-PN40	35
S216D/C216D Flanged ball valve PN16-PN40 - DN 15 up to DN 100	38
S40F/C40F Flanged ball valve PN16-PN40 - DN 15 up to DN 200	41
S316D SS316 3-way ball valve PN16 - DN 15 up to DN 100	44
S316F SS316 3-way ball valve PN16 - DN 125 up to DN 200	48

### TRADEMARKS

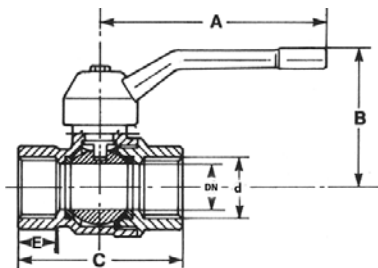
Following brand names are Dupont registered trademarks:

- Kalrez®
- Viton®
- Teflon®
- Hypalon®
- BUNA-N®
- Chrevron®

### DISCLAIMER

Vapo Techniek BV has done its utmost to ensure that all data in this documentation is correct. However, Vapo Techniek BV accepts no responsibility for possible problems caused by mistakes in this documentation.

## A10 Brass ball valve

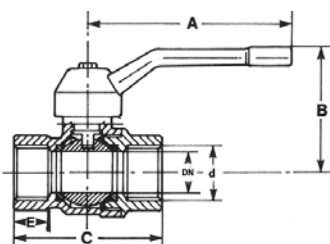


### Description

- 2-way ball valve BSP female threaded
- Body and Ball Brass MS58 chromium plated
- Seats PTFE
- O-rings Viton®
- Lever aluminium epoxy coated
- Working pressure maximum 25 Barg up to 95 C. up to 3", 4" maximum 20 Barg, 16 Barg from 95 up to 120° C.
- Full bore
- Temperature -20 up to 120° C.
- Available 1/4" up to 4"
- With different colors levers available, standard yellow or blue

Dimensions 1/4" up to 4" [mm]											
d	1/4"	3/8"	1/2"	3/4"	1"	1 1/4"	1 1/2"	2"	2 1/2"	3"	4"
DN	8	10	15	20	25	32	40	50	65	80	90
A	75	75	90	90	120	120	150	150	200	240	240
B	31	33	49	50	65	70	80	87	120	135	145
C	44	45	56	64	74	85	98	110	134	160	186
Weight [kg]	0.11	0.1	0.2	0.3	0.48	0.71	1.05	1.536	2.92	5.46	7.48

## A50 Brass ball valve



### Description

- 2-way ball valve BSP female threaded
- Body and Ball Brass MS58 chromium plated
- Seats PTFE
- O-rings Viton®
- Lever aluminium epoxy coated
- Working pressure maximum 40 Barg up to 95° C., 25 Barg from 95 up to 120° C.
- Full bore
- Temperature -20 up to 120° C.
- Available 1/4" up to 2"

Dimensions 1/4" up to 2" [mm]								
d	1/4"	3/8"	1/2"	3/4"	1"	1 1/4"	1 1/2"	2"
DN	8	10	15	20	25	32	38	47
A	75	75	90	90	120	120	150	150
B	32	42	50	53	62	70	78	85
C	50	60	65	65	86	95	101	120
Weight [kg]	0.11	0.15	0.255	0.35	0.64	0.955	1.11	1.97

## A25 Brass 2-way ball valve - 1/4" up to 4"



### Description

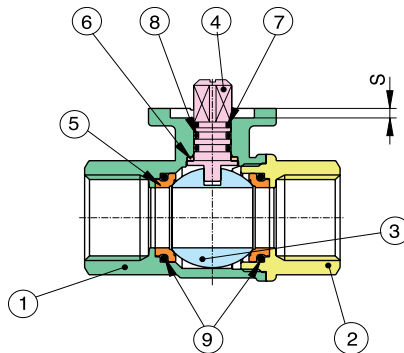
- 2-way ball valve BSP female threaded
- Full bore
- Body and ball Brass chromium plated, stem Brass nickel plated
- Mounting flange ISO 5211 for direct mounting pneumatic or electric actuators
- Seats PTFE
- O-rings Viton®
- Working pressure maximum 40 Barg
- Temperature -20 to 160° C.
- Suitable for vacuum
- Not available with manual lever

### Options:

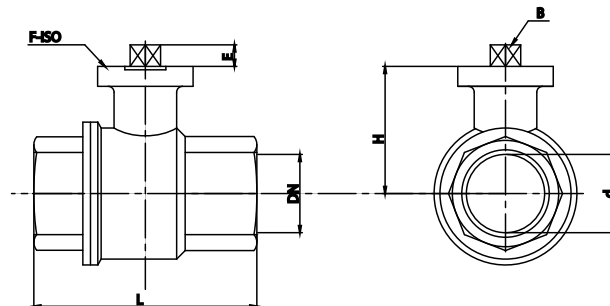
- Automatic electric or pneumatic actuation
- Atex version
- Spring return lever up to 2"

### Certificats:

- 2.2 Material certificate
- CE declaration

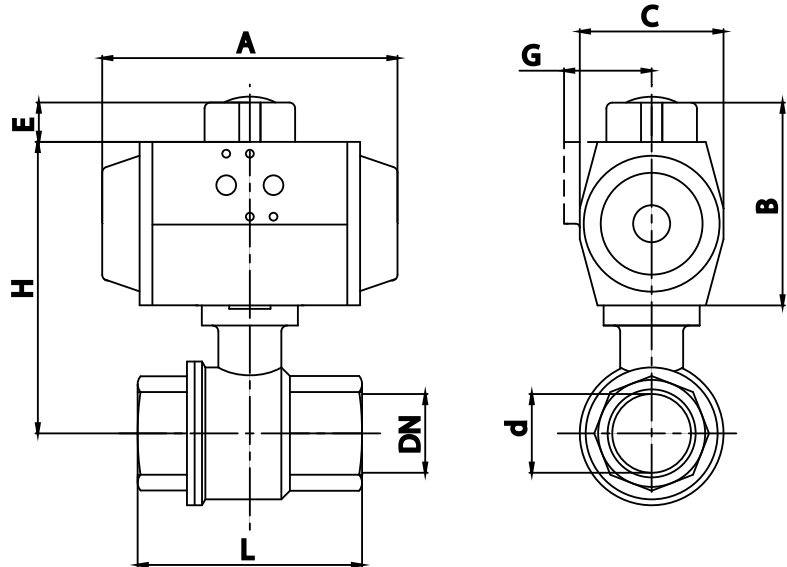


Item	Description	Material
1	Body	Brass chromium plated
2	End cap	Brass chromium plated
3	Ball	Brass chromium plated
4	Stem	Brass nickel plated
5	Seat	PTFE
6	Thrust washer	PTFE
7	Stem seal	PTFE
8	O-ring	Viton®
9	O-ring	Viton®



Dimensions 1/4" up to 4" [mm]												
Ø	1/4"	3/8"	1/2"	3/4"	1"	1 1/4"	1 1/2"	2"	2 1/2"	3"	4"	
DN	8	10	15	20	25	32	40	50	65	80	100	
L	67	67	67	76	90	102	114	138	165	188	225	
Square B	9	9	9	9	9	9	11	11	14	14	17	
ØF-ISO	36	36	36	36	36	36	50	50	70	70	70	
H	33	33	33	35	45.5	49	64	73.25	87	98	119.5	
E	9	9	9	9	9	9	11	11	15	15	17.5	
Work. pres.max.	40 Barg								25 Barg		16 Barg	
Weight [kg]	0,37	0,35	0,31	0,40	0,75	1,05	1,73	2,98	4,20	6,28	10,25	

## A25 Brass 2-way ball valve - 1/4" up to 4"



With double acting pneumatic actuator [mm]									
DN (d)	DW	A	B	C	E	G	H	L	Weight [kg]
DN8 (1/4")	AP0D	110	65	51	20	-	98	67	1
DN10 (3/8")	AP0D	110	65	51	20	-	98	67	0.9
DN15 (1/2")	AP0D	110	65	51	20	-	98	67	0.9
DN20 (3/4")	AP0D	110	65	51	20	-	100	76	1
DN25 (1")	AP0D	110	65	51	20	-	111	90	1.3
DN32 (1 1/4")	AP0D	110	65	51	20	-	114	102	1.7
DN40 (1 1/2")	AP2D	150	103	73	20	44.5	167	114	3.3
DN50 (2")	AP2D	150	103	73	20	44.5	177	138	4.5
DN65 (2 1/2")	AP3D	204	120	85	20	49.5	207	157	6.9
DN80 (3")	AP3D	204	120	85	20	49.5	218	188	9.1
DN100 (4")	AP3.5D	230	130	98	20	53	250	225	14.1

AP0D can not be mounted with switch boxes

With single acting pneumatic actuator [mm]									
DN (d)	EW	A	B	C	E	G	H	L	Weight [kg]
DN8 (1/4")	AP1S	137	87	60	20	41	164	67	1.6
DN10 (3/8")	AP1S	137	87	60	20	41	165	67	1.5
DN15 (1/2")	AP1S	137	87	60	20	41	184	67	1.5
DN20 (3/4")	AP1S	137	87	60	20	41	187	76	1.6
DN25 (1")	AP1S	137	87	60	20	41	218	90	2.0
DN32 (1 1/4")	AP1S	137	87	60	20	41	224	102	2.3
DN40 (1 1/2")	AP2S	150	103	73	20	44.5	232	114	3.5
DN50 (2")	AP3S	204	120	85	20	49.5	250	138	6.1
DN65 (2 1/2")	AP3.5S	230	130	98	20	53	290	157	8.8
DN80 (3")	AP3.5S	230	130	98	20	53	354	188	11.1
DN100 (4")	AP4S	271	145	110	30	58	474	225	16.2

Pneumatic actuators are based on PTFE seat rings, minimum air pressure of 6 bar(g) and medium of clean water 20°C with at 6 bar pressure

## A35 Brass 3-way ball valve - 1/2" up to 2"



### Description

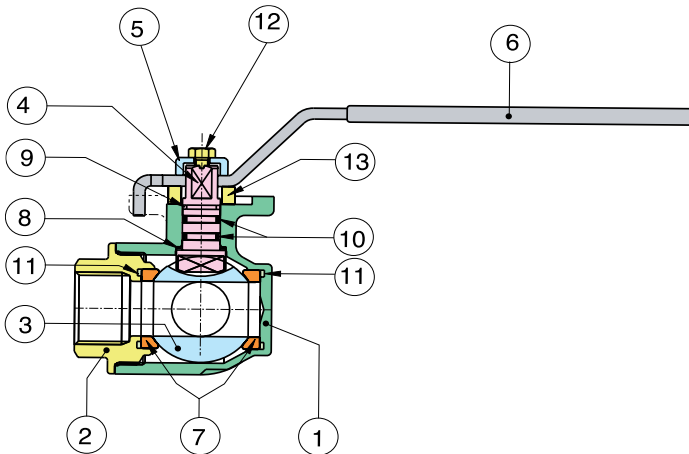
- 3-way ball valve BSP female threaded
- Full bore, L or T port
- Body Brass chromium plated, ball and stem Brass nickel plated
- Mounting flange ISO 5211 for direct mounting pneumatic or electric actuators
- Seats PTFE
- O-rings Viton®
- Working pressure: up to 3/4" max. 30 barg, 1" max. 16 barg, 1 1/4" up to 2" max. 10 barg
- Temperature -20° up to 160°C.
- Suitable for vacuum
- Also available with lever

### Options:

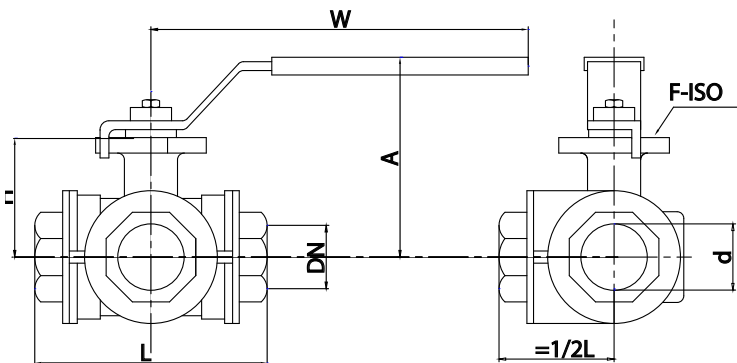
- Automatic electric or pneumatic actuation
- 1/4" and 3/8" version
- Spring return lever up to 2"

### Certificats:

- 2.2 Material certificate
- CE declaration



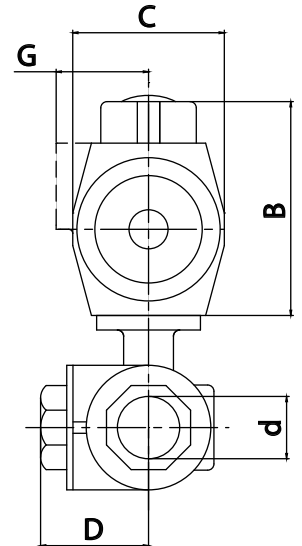
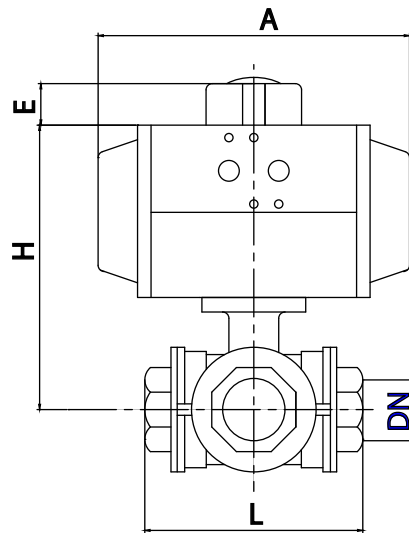
Item	Description	Material
1	Body	Brass chromium plated
2	End capk	Brass chromium plated
3	Ball	Brass nickel plated
4	Stem	Brass nickel plated
5	Disc	Brass nickel plated
6	Lever	Steel
7	Seat	PTFE
8	Thrust washer	PTFE
9	Stem seal	PTFE
10	O-ring	Viton®
11	O-ring	Viton®
12	Bolt	Steel
13	Ring	Steel



Dimensions 1/4" up to 2" [mm]								
Ød	1/4"	3/8"	1/2"	3/4"	1"	1 1/4"	1 1/2"	2"
DN	8	10	15	20	25	32	40	50
L	67	67	77	87	105	122.5	138.5	166
ØF-ISO	36	36	36	50	50	50	70	70
H	62	62	64	75	80.5	93	111	122
W	120	120	120	170	170	170	230	230
Weight [kg]	0.55	0.52	0.65	1.10	1.83	2.75	4.57	8.37



## A35 Brass 3-way ball valve - 1/2" up to 2"



With double acting pneumatic actuator [mm]									
DN (d)	DW	A	B	C	E	G	H	L	Weight [kg]
DN8 (1/4")	AP0D	110	65	51	20	-	96	67	1.2
DN10 (3/8")	AP0D	110	65	51	20	-	96	67	1.2
DN15 (1/2")	AP0D	110	65	51	20	-	98	77	1.2
DN20 (3/4")	AP2D	150	73	73	20	44.5	145	87	2.4
DN25 (1")	AP2D	150	73	73	20	44.5	150	105	3.2
DN32 (1 1/4")	AP2D	150	73	73	20	44.5	163	122.5	4.2
DN40 (1 1/2")	AP3D	204	85	85	20	49.5	194	138.5	7.2
DN50 (2")	AP3D	204	85	85	20	49.5	205	166	11.2

AP0D can not be mounted with switch boxes

With single acting pneumatic actuator [mm]									
DN (d)	EW	A	B	C	E	G	H	L	Weight [kg]
DN8 (1/4")	AP1S	137	87	60	20	41	118	67	1.8
DN10 (3/8")	AP1S	137	87	60	20	41	118	67	1.8
DN15 (1/2")	AP1S	137	87	60	20	41	120	77	1.8
DN20 (3/4")	AP2S	150	103	73	20	44.5	145	87	2.6
DN25 (1")	AP2S	150	103	73	20	44.5	150	105	3.4
DN32 (1 1/4")	AP2S	150	103	73	20	44.5	163	122.5	4.4
DN40 (1 1/2")	AP3S	204	120	85	20	49.5	194	138.5	7.6
DN50 (2")	AP3S	204	120	85	20	49.5	205	166	11.7

Pneumatic actuators are based on PTFE seat rings, minimum air pressure of 6 bar(g) and medium of clean water 20°C with at 6 bar pressure

## A02 SS316 2-piece ball valve - 1/2" up to 2"



### Description

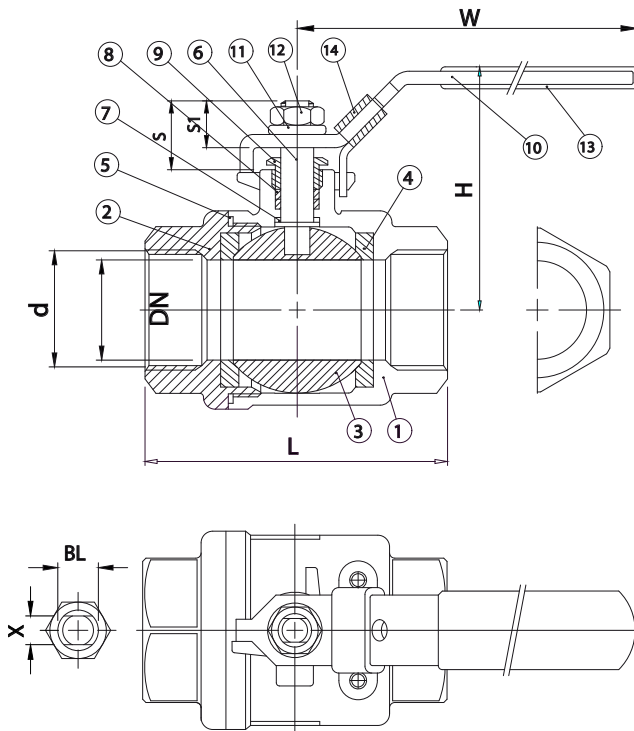
- 2-way ball valve BSP female threaded
- Full bore
- Body, ball and stem SS316
- Seats PTFE 15% glassfiber filled
- Working pressure maximum 63 Barg
- Temperature -15° up to + 180° C.
- Blow-out proof stem, lockable lever
- Only available lever operated

### Options:

- NPT female threaded
- 2 1/2" and 3" version

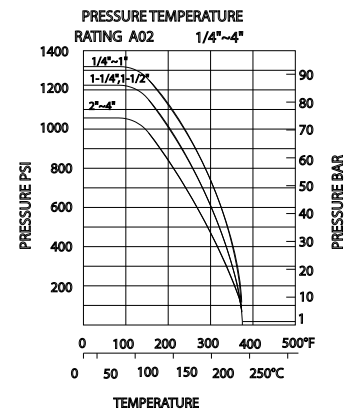
### Certificats:

- 3.1 Material certificats
- CE declaration



Item	Description	Material
1	Body	SS316
2	End cap	SS316
3	Ball	SS316
4	Seat	PTFE 15% glassfiber filled
5	Seal	PTFE
6	Stem	SS316
7	Thrust washer	PTFE
8	Seal	PTFE
9	Gland	SS
10	Lever	SS
11	Washer	SS
12	Nut	SS
13	Grip	PVC
14	Locking device	SS

Dimensions 1/4" up to 2" [mm]								
d	1/4"	3/8"	1/2"	3/4"	1"	1 1/4"	1 1/2"	2"
DN	11.6	12.7	15	20	25	32	38	50
L	49	49	57	65	78	90.5	105	127
H	51	51	53	59	73	78	91	99
W	105	105	105	125	160	160	190	190
Weight [kg]	0.27	0.27	0.32	0.50	0.82	1.25	1.93	3.10





## S02D SS316 2-piece ball valve - 1/4" up to 4"



### Description

- 2-way ball valve BSP female threaded
- Full bore
- Body, ball and Stem in SS316
- Mounting flange ISO 5211 for direct mounting pneumatic or electric actuators
- Seats PTFE 15% glassfiber filled
- Working pressure maximum 63 Barg
- Temperature -15° up to + 180° C.
- Blow-out proof stem, lockable lever
- Anti-static
- Suitable for vacuum

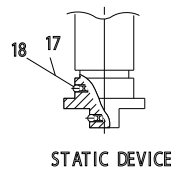
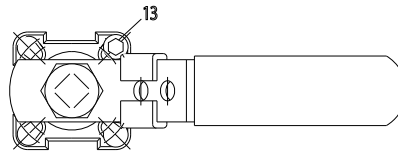
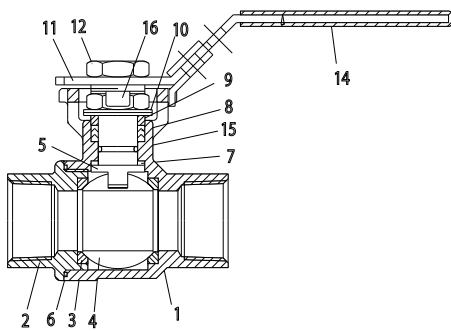
### Options:

- Automatic electric or pneumatic actuation
- NPT female threaded
- Stem extension
- Spring return lever up to 2''

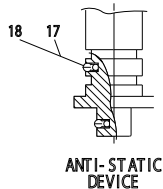
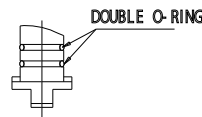
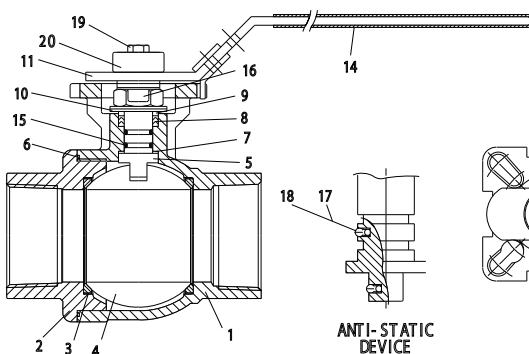
### Certificats:

- 3.1 Material certificats
- CE declaration
- TA Luft declaration

1/4" t/m 2"

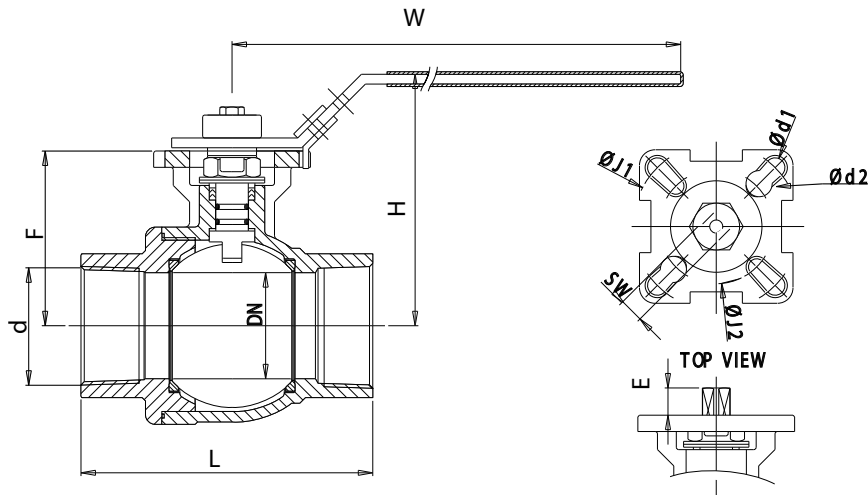
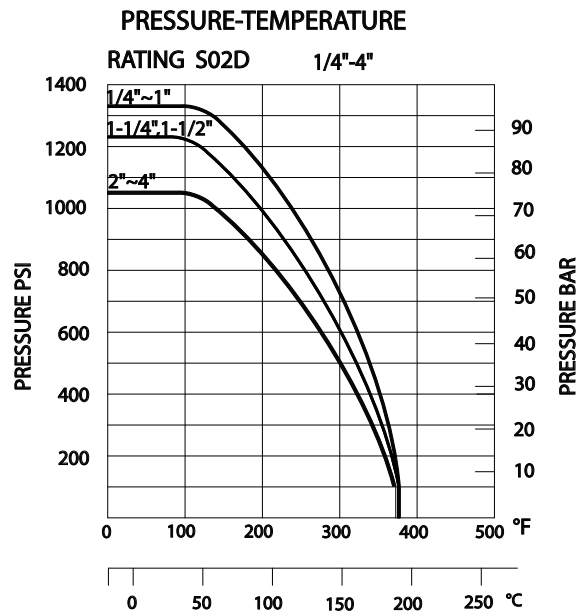


2 1/2" t/m 4"



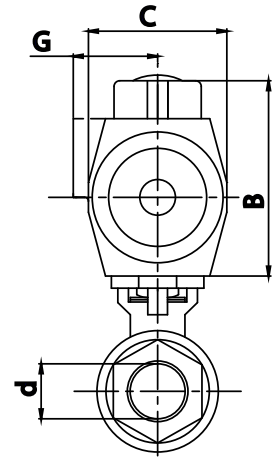
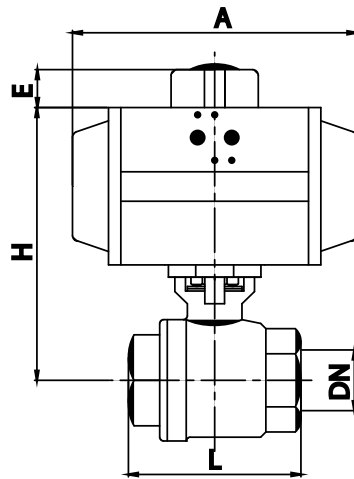
Item	Description	Material
1	Body	SS316
2	End cap	SS316
3	Seat	PTFE 15% glassfiber filled
4	Ball	SS316
5	Stem	SS316
6	Body packing	PTFE
7	Thrust washer	PTFE
8	Seal	PTFE
9	Gland	SS
10	Disc springs	SS
11	Lever	SS
12	Nut	SS
13	Stop	SS
14	Grip	PVC
15	O-ring	Viton®
16	Locking device	SS
17	Anti-static	SS
18	Spring	SS
19	Bolt	SS

## S02D SS316 2-piece ball valve - 1/4" up to 4"



Dimensions 1/4" up to 4" [mm]											
d	1/4"	3/8"	1/2"	3/4"	1"	1 1/4"	1 1/2"	2"	2 1/2"	3"	4"
DN	11.1	11.1	15	20	24.5	32	38	50	65	80	100
L	57	57	57	71	83	91	104	123	155	182	240
H	72.7	72.7	72.7	72.7	83.5	88.7	100.8	118	155	165	180
F	42.3	42.3	42.3	44.8	54	59	73.5	82.9	107	117.3	132.3
J1	42	42	42	42	42	50	50	50	70	70	70
J2	50	50	50	50	50	70	70	70	102	102	102
W	110	110	110	110	135	165	165	165	300	335	335
SW	9	9	9	9	11	11	11	14	17	17	17
E	8	8	8	8	10	10	10	14.8	17.1	17.1	17.1
Weight [kg]	0.5	0.5	0.4	0.6	0.9	1.4	2.0	3.6	7.4	11.0	18.4

## S02D SS316 2-piece ball valve - 1/4" up to 4"



With double acting pneumatic actuator [mm]									
DN (d)	DW	A	B	C	E	G	H	L	Weight [kg]
DN8 (1/4")	AP1D	137	87	60	20	41	129.3	57	1.5
DN10 (3/8")	AP1D	137	87	60	20	41	129.3	57	1.5
DN15 (1/2")	AP1D	137	87	60	20	41	129.3	57	1.4
DN20 (3/4")	AP1D	137	87	60	20	41	131.8	71	1.6
DN25 (1")	AP2D	137	87	60	20	41	157	83	2.3
DN32 (1 1/4")	AP2D	150	103	73	20	44.5	172.3	91	2.9
DN40 (1 1/2")	AP2D	150	103	73	20	44.5	176.3	103	3.8
DN50 (2")	AP3D	204	120	85	20	49.5	202.9	120	6.1
DN65 (2 1/2")	AP3.5D	230	130	98	20	53	237	155	11.6
DN80 (3")	AP3.5D	230	130	98	20	53	247.3	182	15.3
DN100 (4")	AP4D	271	145	110	30	58	277.3	240	24.0

With single acting pneumatic actuator [mm]									
DN (d)	EW	A	B	C	E	G	H	L	Weight [kg]
DN8 (1/4")	AP1S	137	87	60	20	41	129.3	57	1.9
DN10 (3/8")	AP1S	137	87	60	20	41	129.3	57	1.9
DN15 (1/2")	AP2S	150	103	73	20	44.5	145.3	57	2.4
DN20 (3/4")	AP2S	150	103	73	20	44.5	147.8	71	2.5
DN25 (1")	AP3S	204	120	85	20	49.5	174	83	4.2
DN32 (1 1/4")	AP3S	204	120	85	20	49.5	189.3	91	4.8
DN40 (1 1/2")	AP3S	204	120	85	20	49.5	193.5	103	5.3
DN50 (2")	AP3.5S	230	130	98	20	53	212.9	120	8.0
DN65 (2 1/2")	AP4S	271	145	110	30	58	252	155	13.7
DN80 (3")	AP4.5S	305	172	128	30	69	289.3	182	20.9
DN100 (4")	AP4.5S	305	172	128	30	69	304.3	240	28.4

Pneumatic actuators are based on PTFE seat rings, minimum air pressure of 6 bar(g) and medium of clean water 20°C with at 6 bar pressure

## S24 SS316 2-piece high pressure ball valve - 1/4" up to 2"



### Description

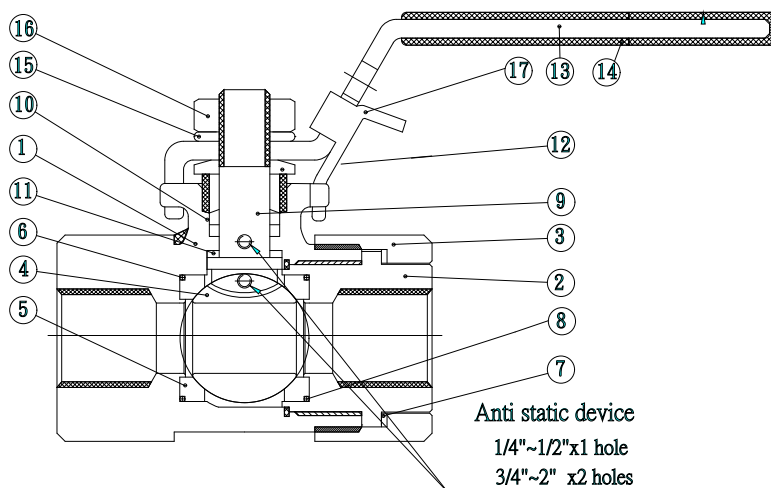
- 2-way ball valve BSP female threaded
- Full bore
- Body, Ball and Stem SS316
- Mounting flange ISO 5211 for mounting pneumatic or electric actuators
- Seats PEEK
- Working pressure maximum 400 Barg
- Temperature -20° up to 160° C.
- Suitable for vacuum

### Options:

- Automatic electric or pneumatic actuation
- Stem extension
- Endswitches

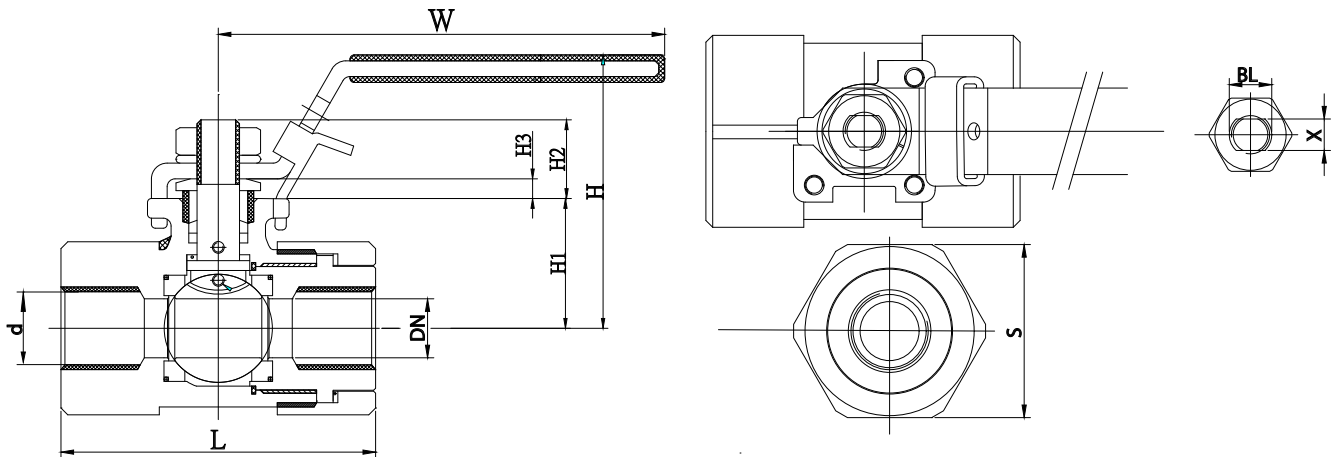
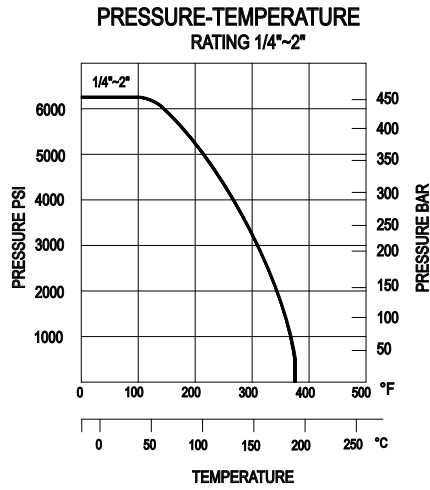
### Certificats:

- 3.1 Material certificats
- CE declaration



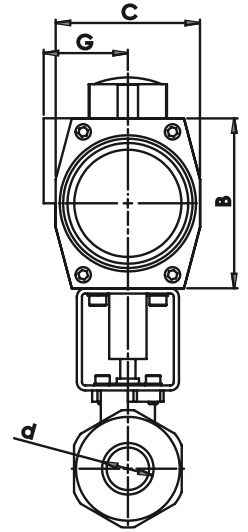
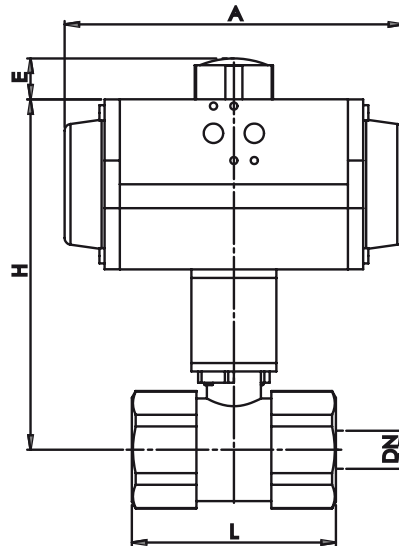
Item	Description	Material
1	Body	SS316
2	Insert	SS316
3	Cap	SS316
4	Ball	SS316
5	Seat	PEEK
6	O-ring	Viton®
7	Sealing	PTFE
8	Sealing	PTFE
9	Stem	SS316
10	Stem seal	PTFE
11	Thrust washer	PTFE
12	Nut	SS
13	Lever	SS
14	Grip	PVC
15	Washer	SS
16	Nut	SS
17	Locking device	SS

## S24 SS316 2-piece high pressure ball valve - 1/4" up to 2"



Dimensions 1/4" up to 2" [mm]																
d	1/4"	3/8"	1/2"	3/4"	1"	1 1/4"	1 1/2"	2"								
DN	11.6	12.5	15	20	25	32	38	50								
W	120	120	135	135	165	165	210	210								
L	70	70	80	95	120	130	150	175								
H	55	55	70	78	85	95	110	120								
H1	30	30	33	39	46	55	67	76								
H2	16	16	17	20	24	25	35	35								
H3	3.5	3.5	3.5	3.5	4	5	5	5								
S	36	36	44	57	64	78	102	120								
BL	3/8"	3/8"	7/16"	7/16"	1/2"	1/2"	3/4"	3/4"								
X	6	6	8	8	9	9	12	12								
ISO top	F03	36	F03	36	F03	36	F03	36	F04	42	F05	50	F07	70	F07	70
Weight [kg]	0.6	0.6	0.92	1.80	2.71	4.22	8.86	12.84								

## S24 SS316 2-piece high pressure ball valve - 1/4" up to 2"



With double acting pneumatic actuator [mm]									
DN (d)	DW	A	B	C	E	G	H	L	Weight [kg]
DN8 (1/4")	AP1D	142	67	60	20	41	157	70	1.7
DN10 (3/8")	AP1D	142	67	60	20	41	157	70	1.7
DN15 (1/2")	AP1D	142	67	60	20	41	160	80	2.0
DN20 (3/4")	AP2D	155	83	73	20	44.5	182	95	3.2
DN25 (1")	AP3D	213	100	85	20	49.5	206	120	5.3
DN32 (1 1/4")	AP3.5D	236	110	98	20	53	225	130	8.2
DN40 (1 1/2")	AP4D	276	125	110	30	58	252	150	14.0
DN50 (2")	AP4D	276	125	110	30	58	261	175	17.7

With single acting pneumatic actuator [mm]									
DN (d)	EW	A	B	C	E	G	H	L	Weight [kg]
DN8 (1/4")	AP2S	155	83	73	20	44.5	173	70	2.3
DN10 (3/8")	AP3S	213	100	85	20	49.5	190	70	3.7
DN15 (1/2")	AP3S	213	100	85	20	49.5	193	80	4.0
DN20 (3/4")	AP3S	213	100	85	20	49.5	199	95	4.8
DN25 (1")	AP3.5S	236	110	98	20	53	216	120	7.1
DN32 (1 1/4")	AP3.5S	236	110	98	20	53	225	130	8.7
DN40 (1 1/2")	AP4S	276	125	110	30	58	252	150	14.9
DN50 (2")	AP4.5S	310	142	128	30	69	278	175	22.2

Pneumatic actuators are based on PEEK seat rings, minimum air pressure of 6 bar(g) and medium of clean water 20°C with at 6 bar pressure



## S57D 3-way SS316 ball valve - 1/2" up to 2"



### Description

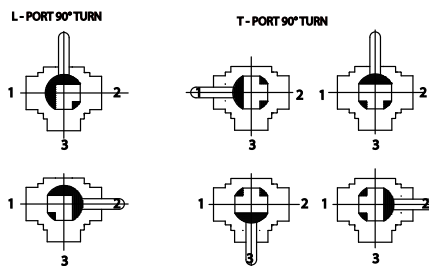
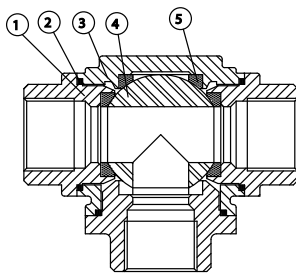
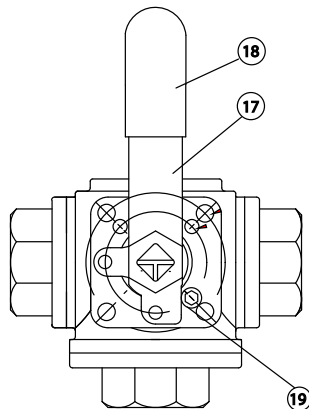
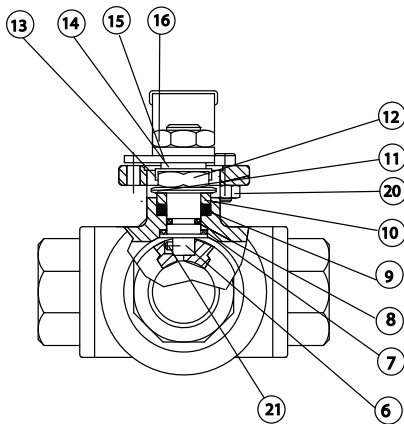
- 3-way ball valve BSP female threaded
- Full bore, L- or T port, standard with 4 seat rings
- Body, ball and stem SS316
- Mounting flange ISO 5211 for direct mounting pneumatic or electric actuators
- Seats and seals PTFE
- Blow-out proof stem, lockable lever
- Anti-static
- Working pressure max. 50 barg depending of version
- Temperature -15° C up to 180° C.

### Options:

- Automatic electric or pneumatic actuation
- Stem extension
- Endswitches
- Reduced bore
- Spring return lever up to 2"
- Perlast O-rings, Integral seats, Peek seats

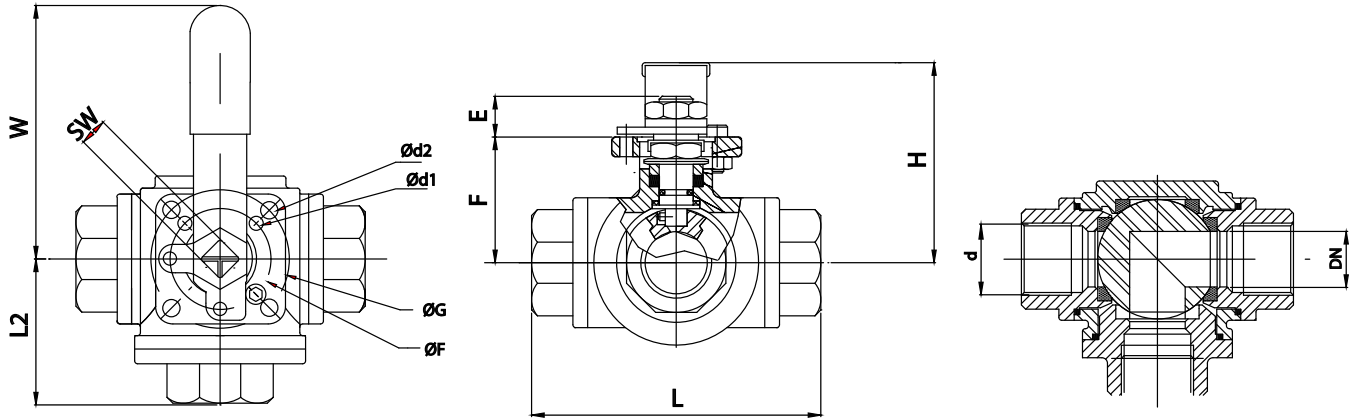
### Certificats:

- 3.1 Material certificats
- CE declaration



Item	Description	Material
1	End cap	SS316
2	Seal	PTFE
3	Body	SS316
4	Ball	SS316
5	Seats	RPTFE
6	Stem	SS316
7	Thrust washer	PTFE
8	O-ring	Viton®
9	Chevron®	PTFE
10	Gland	SS
11	Disc spring	SS
12	Nut	SS
13	Nut stop	SS
14	Spacer	SS
15	Stop plate	SS
16	Nut	SS
17	Lever	SS
18	Grip	PVC
19	Stop pin	SS
20	Nut	SS
21	Pin	SS

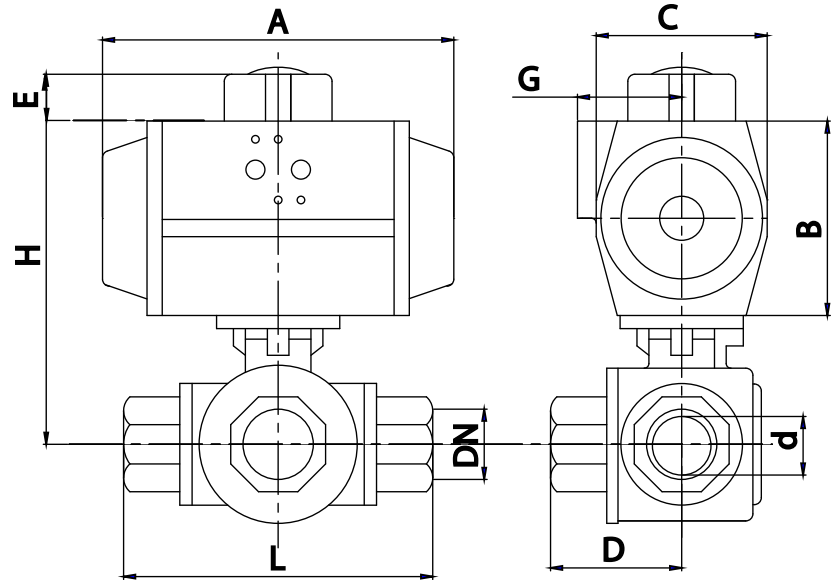
## S57D 3-way SS316 ball valve - 1/2" up to 2"



Dimensions 1/4" up to 2" [mm] full bore								
d	1/4"	3/8"	1/2"	3/4"	1"	1 1/4"	1 1/2"	2"
DN	8	10	15	20	25	32	40	50
A	11	12	15	20	25	32	38	50
L	72	72	83	99	112	125	149	174
L2	36	36	41.85	49.5	56	62.5	74.5	87
H	62	62	64	82	89	98	108	140
W	130	130	130	165	165	205	205	325
G	42	42	42	50	50	70	70	102
F	36	36	36	42	42	50	50	70
d1	6.0	6.0	6.0	6.0	6.0	7.1	7.1	9.2
d2	6.0	6.0	6.0	7.1	7.1	9.2	9.2	11.4
SW	9	9	9	11	11	14	14	17
E	11	11	11	14	14	18	18	22
F	37.5	38.5	42	49	55	63	74	93
Weight [kg]	0.66	0.66	0.86	1.48	2.22	3.22	5.36	9.70

Dimensions 1/4" up to 2" [mm] reduced bore						
d	1/2"	3/4"	1"	1 1/4"	1 1/2"	2"
DN	10	15	20	25	32	40
A	12	15	20	25	32	38
L	72	83	99	112	125	149
L2	36	41.85	49.5	56	62.5	74.5
H	62	64	82	89	98	108
W	130	130	165	165	205	205
G	42	42	50	50	70	70
F	36	36	42	42	50	50
d1	6.0	6.0	6.0	6.0	7.1	7.1
d2	6.0	6.0	7.1	7.1	9.2	9.2
SW	9	9	11	11	14	14
E	11	11	14	14	18	18
F	38.5	42	49	55	63	74
Weight [kg]	0.66	0.66	0.86	1.52	2.18	3.38

## S57D 3-way SS316 ball valve - 1/2'' up to 2''



With double acting pneumatic actuator [mm] full bore

DN (d)	DW	A	B	C	E	G	H	L	D	Weight [kg]
DN8 (1/4")	AP1D	137	87	60	20	41	105	72	36	1.6
DN10 (3/8")	AP1D	137	87	60	20	41	106	72	36	1.6
DN15 (1/2")	AP1D	137	87	60	20	41	109	83	41.5	1.8
DN20 (3/4")	AP2D	150	103	73	20	44.5	132	99	49.5	2.8
DN25 (1")	AP2D	150	103	73	20	44.5	138	112	56	3.5
DN32 (1 1/4")	AP3D	204	120	85	20	49.5	163	125	62.5	6.9
DN40 (1 1/2")	AP3D	204	120	85	20	49.5	174	149	74.5	7.9
DN50 (2")	AP3.5D	230	130	98	20	53	203	174	87	13.2

With single acting pneumatic actuator [mm] full bore

DN (d)	EW	A	B	C	E	G	H	L	D	Weight [kg]
DN8 (1/4")	AP2S	150	103	73	20	44.5	121	72	36	2.2
DN10 (3/8")	AP2S	150	103	73	20	44.5	122	72	36	2.2
DN15 (1/2")	AP2S	150	103	73	20	44.5	125	83	41.5	2.4
DN20 (3/4")	AP3S	204	120	85	20	49.5	149	99	49.5	4.5
DN25 (1")	AP3S	204	120	85	20	49.5	155	112	56	5.2
DN32 (1 1/4")	AP4S	271	145	110	30	58	178	125	62.5	9.2
DN40 (1 1/2")	AP4S	271	145	110	30	58	189	149	74.5	11.2
DN50 (2")	AP4.5S	305	172	128	30	69	235	174	87	18.9

Pneumatic actuators are based on PTFE seat rings, minimum air pressure of 6 bar(g) and medium of clean water 20°C with at 6 bar pressure

## S350D 3-way ball valve SS316 - DN 15 up to DN 50



### Description

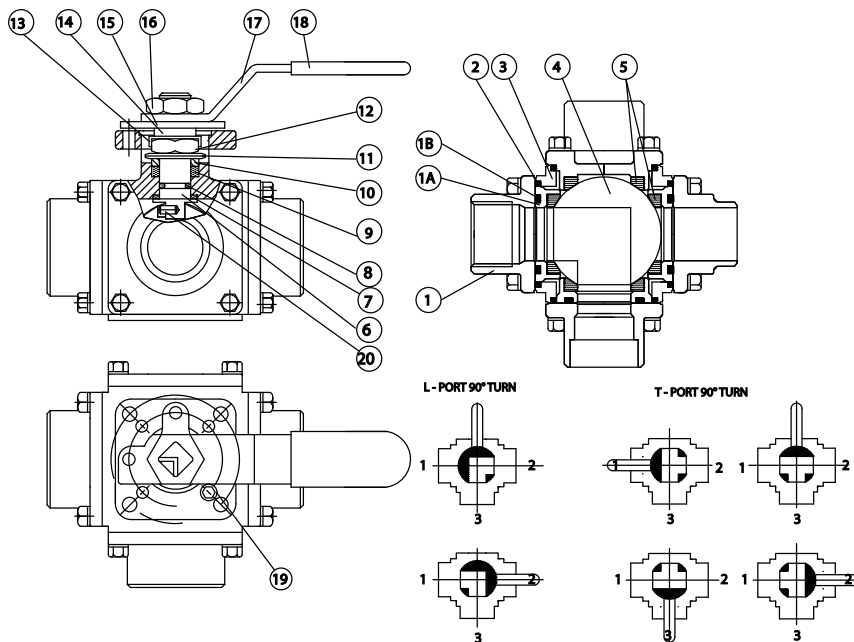
- 3-way ball valve BSP female threaded or BW ends
- Full bore
- Body, ball and stem SS316
- Mounting flange ISO 5211 for direct mounting pneumatic or electric actuators
- Seats and seals PTFE
- Simple disconnection from pipeline
- Blow-out proof stem, lockable lever
- Working pressure max. 40 barg
- Temperature -30° C up to 180° C.

### Options:

- Automatic electric or pneumatic actuation
- Stem extension
- Endswitches
- Integral seats, Peek seats, Perlast O-rings
- Spring return lever up to 2''
- Socket weld ends
- 2 1/2", 3" and 4" version
- 4-way version L-T-X-I port

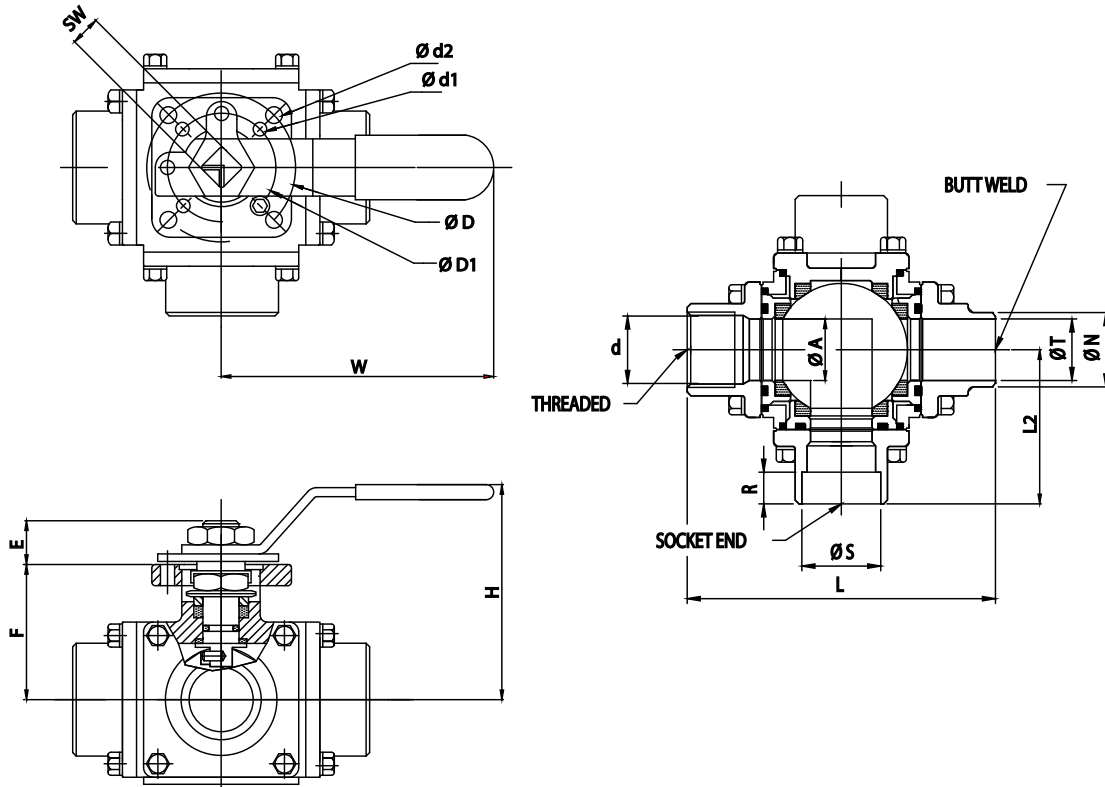
### Certificats:

- 3.1 Material certificats
- CE declaration



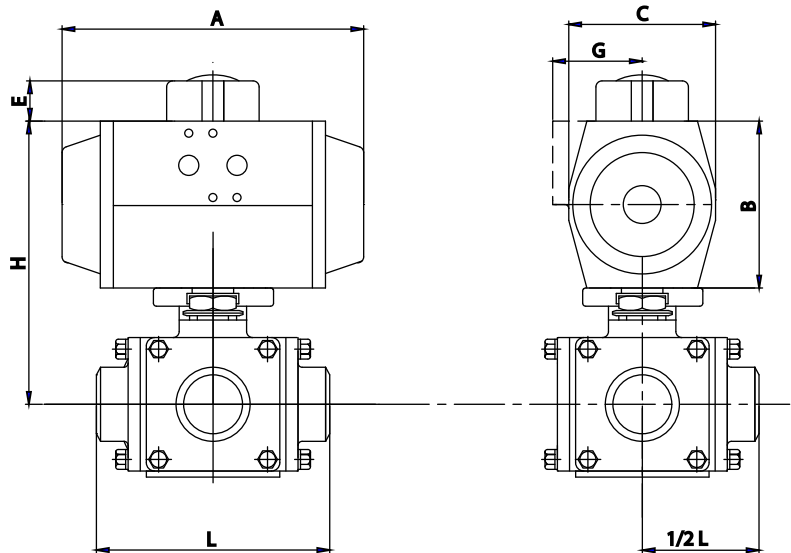
Item	Description	Material
1	End cap	SS316
1A	Seat holder	SS316
1B	Body packing	PTFE
2	Packing	PTFE
3	Body	SS316
4	Ball	SS316
5	Seat	RPTFE
6	Thrust washer	PTFE
7	Stem	SS316
8	O-ring	Viton®
9	Packing	PTFE
10	Gland	SS
11	Spring disc	SS
12	Nut	SS
13	Nut stop	SS
14	Washer	SS
15	Stop plate	SS
16	Nut	SS
17	Lever	SS
18	Grip	PVC
19	Stop pin	SS
20	Pin	SS

### S350D 3-way ball valve SS316 - DN 15 up to DN 50



Dimensions DN 15 up to DN 50 [mm]						
DN (d)	15 (1/2")	20 (3/4")	25 (1")	32 (1 1/4")	40 (1 1/2")	50 (2")
A	15	20	25	31.8	38	50
L	104	111	127	138	158	190
L2	52	55.5	63.5	69	79	95
W	130	165	165	205	205	325
H	64	82	89	98	108	140
F	42	48.5	55.5	63	73.5	92.5
E	11	14	14	17	16	21
D	42	50	50	70	70	102
D1	36	42	42	50	50	70
d1	6.0	6.0	6.0	7.1	7.1	9.2
d2	6.0	7.1	7.1	9.2	9.2	11.4
SW	9	11	11	14	14	17
R	12.7	14.3	15.9	17.5	19.1	22.2
S	21.7	27.1	33.8	42.5	49.6	61.1
T	15	20	25	31.8	38	50
N	22.5	28.5	34.5	43.5	49.5	61.5
Weight [kg]	2,2	2,8	4	5,8	9,2	16,4

## S350D 3-way ball valve SS316 - DN 15 up to DN 50



With double acting pneumatic actuator [mm]									
DN	DW	A	B	C	E	G	H	L	Weight [kg]
DN15 (1/2")	AP1D	142	67	60	20	41	128	105	3.2
DN20 (3/4")	AP2D	155	83	73	20	44,5	152	112	4.2
DN25 (1")	AP3D	213	100	85	20	49,5	175	128	6.7
DN32 (1 1/4")	AP3D	213	100	85	20	49,5	183	140	8.5
DN40 (1 1/2")	AP3D	213	100	85	20	49,5	194	160	11.7
DN50 (2")	AP3,5D	236	110	98	20	53	223	192	20.4

With single acting pneumatic actuator [mm]									
DN	EW	A	B	C	E	G	H	L	Weight [kg]
DN15 (1/2")	AP2S	155	83	73	20	44.5	144	105	3.8
DN20 (3/4")	AP3S	213	100	85	20	49,5	169	112	5.9
DN25 (1")	AP3S	213	100	85	20	49,5	175	128	7.7
DN32 (1 1/4")	AP3,5S	236	110	98	20	53	193	140	10.3
DN40 (1 1/2")	AP4S	276	125	110	30	58	229	160	15.1
DN50 (2")	AP4,5S	310	142	128	30	69	265	192	26.3

Pneumatic actuators are based on PTFE seat rings, minimum air pressure of 6 bar(g) and medium of clean water 20°C with at 6 bar pressure





## A13 / A13C 3-piece ball valve - 1/2" up to 4"



### Description

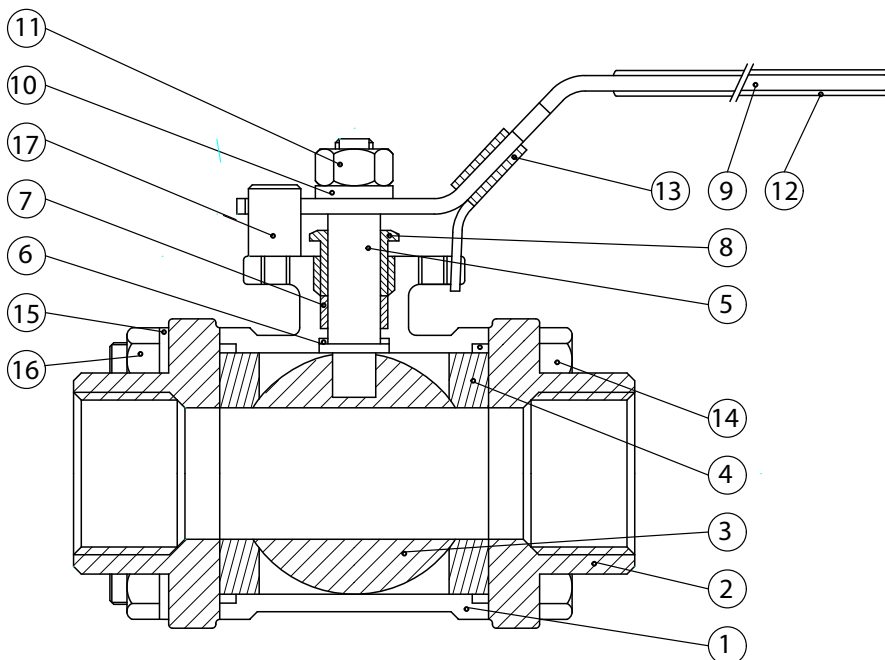
- 2-way ball valve with SS316 or Carbon steel body and end caps
- Full bore
- Ball and stem SS316
- Available in SS316 BSP female threaded or BW ends
- Available in Carbon steel BSP, NPT female thread or BW ends
- Mounting flange ISO 5211 for mounting actuators
- Seats PTFE 15% glasfiber filled
- Working pressure maximum 63 barg
- Temperature -15° up to + 180° C.

### Options:

- Automatic electric or pneumatic actuation
- Socket weld ends or NPT female thread
- Stem extension
- Lockable lever

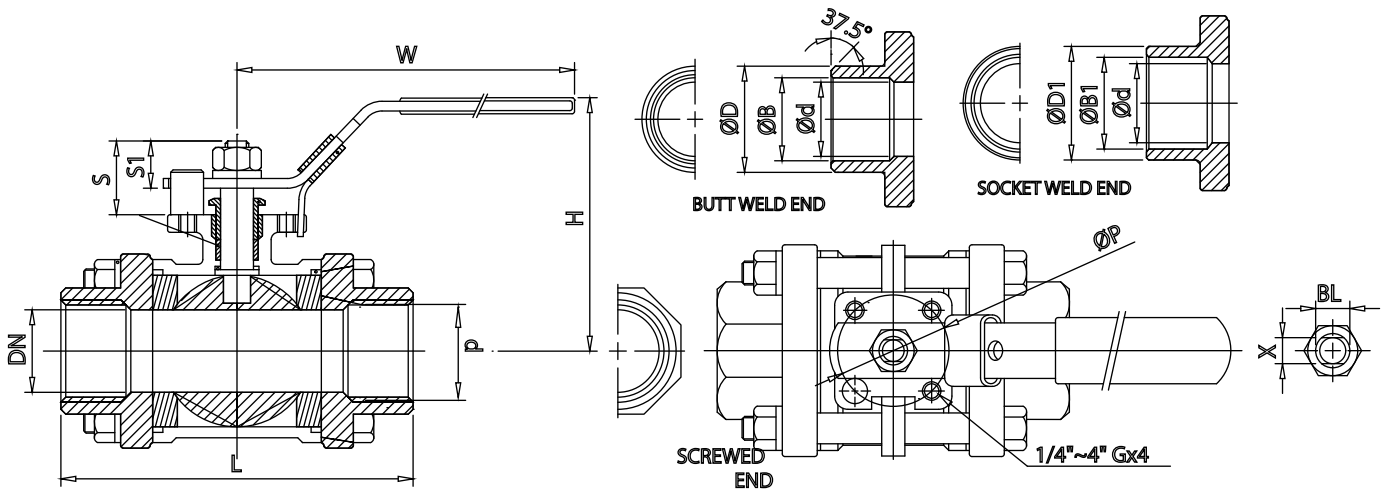
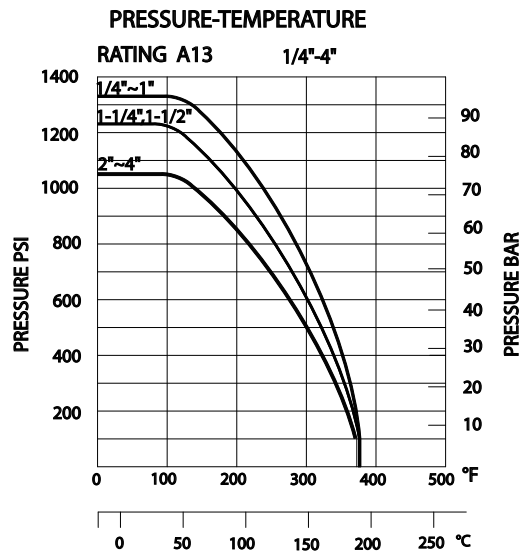
### Certificats:

- 3.1 Material certificate
- CE declaration



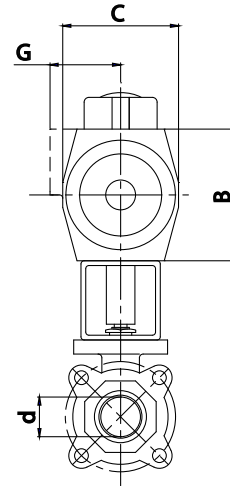
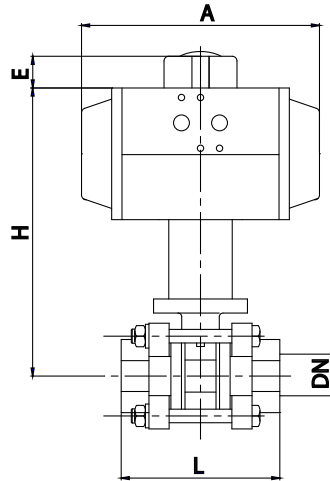
Item	Description	Material A13	Material A13C
1	Body	SS316	Carbon steel
2	End cap	SS316	Carbon steel
3	Ball	SS316	SS316
4	Seat	PTFE 15% Glassfiber filled	PTFE 15% Glassfiber filled
5	Stem	SS316	SS316
6	Thrust washer	PTFE	PTFE
7	Stem sealing	PTFE	PTFE
8	Stem nut	SS	SS
9	Lever	SS	SS
10	Washer	SS	SS
11	Nut	SS	SS
12	Grip	PVC	PVC
13	Locking device	SS	SS
14	Bolt	SS	SS
15	Washer	SS	SS
16	Nut	SS	SS
17	Stop pin	SS	SS

## A13 / A13C 3-piece ball valve - 1/2" up to 4"



Dimensions 1/4" up to 4" [mm]											
d	1/4"	3/8"	1/2"	3/4"	1"	1 1/4"	1 1/2"	2"	2 1/2"	3"	4"
DN	11.6	12.7	15	20	25.4	32	38	50.8	65	80	100
L	58	58	63	76	85	100	115	132	165	183	232
ØP-ISO	36	36	36	36	42	42	50	50	70	102	102
G	M5	M5	M5	M5	M5	M5	M6	M6	M8	M10	M10
H	55	55	60	63	79	86	94	103	133	144	177
W	105	105	105	120	158	158	195	195	245	245	320
S	13.3	13.3	15.8	18.3	21.5	23	25	23.1	41.2	39.7	47.1
S1	8.3	8.3	9.8	13.5	15.6	15.6	16.9	16.9	30	30	36.6
ØB	12	14	17.1	22.5	28	33.5	43	53	65	80	100
ØB1	14.1	17.6	21.7	27.1	33.8	42.6	48.7	61.1	76.9	89.9	115.4
ØD	18	18	22	27.5	33.5	44	50	61.5	76	92	115
ØD1	19	22.5	27	33	40	48.8	55	67.2	86.4	103	130.7
X	5.0	5.0	5.0	6.5	8.0	8.0	9.0	9.0	12	12	16
BL	5/16"	5/16"	5/16"	3/8"	7/16"	7/16"	1/2"	1/2	3/4"	3/4"	1"
Weight [kg]	0.45	0.44	0.70	0.88	1.28	2.15	2.95	4.5	8.6	14.7	26.8

## A13 / A13C 3-piece ball valve - 1/2'' up to 4''



With double acting pneumatic actuator [mm]									
DN (d)	DW	A	B	C	E	G	H	L	Weight [kg]
DN8 (1/4")	AP0D	110	65	51	20	-	142	58	1.3
DN10 (3/8")	AP0D	110	65	51	20	-	143	58	1.3
DN15 (1/2")	AP1D	137	87	60	20	41	168	63	1.9
DN20 (3/4")	AP1D	137	87	60	20	41	171	76	2.0
DN25 (1")	AP1D	137	87	60	20	41	175	85	2.4
DN32 (1 1/4")	AP2D	150	103	73	20	44.5	197	100	3.5
DN40 (1 1/2")	AP2D	150	103	73	20	44.5	215	115	4.2
DN50 (2")	AP3D	204	120	85	20	49.5	240	132	6.4
DN65 (2 1/2")	AP3,5D	230	130	98	20	53	275	165	11.7
DN80 (3")	AP4D	271	145	110	30	58	294	183	17.5
DN100 (4")	AP5D	360	185	140	30	-	429	232	33.5

AP0D can not be mounted with switch boxes

With single acting pneumatic actuator [mm]									
DN (d)	EW	A	B	C	E	G	H	L	Weight [kg]
DN8 (1/4")	AP1S	137	87	60	20	41	164	58	1.8
DN10 (3/8")	AP1S	137	87	60	20	41	165	58	1.9
DN15 (1/2")	AP2S	150	103	73	20	44.5	184	63	2.6
DN20 (3/4")	AP2S	150	103	73	20	44.5	187	76	2.7
DN25 (1")	AP3S	204	120	85	20	49.5	218	85	4.5
DN32 (1 1/4")	AP3S	204	120	85	20	49.5	224	100	5.2
DN40 (1 1/2")	AP3S	204	120	85	20	49.5	232	115	5.8
DN50 (2")	AP3,5S	230	130	98	20	53	250	132	8.5
DN65 (2 1/2")	AP4S	271	145	110	30	58	290	165	13.8
DN80 (3")	AP5S	360	185	140	30	-	354	183	25.0
DN100 (4")	AP6S	462	230	175	30	-	474	232	47.0

Pneumatic actuators are based on PTFE seat rings, minimum air pressure of 6 bar(g) and medium of clean water 20°C with at 6 bar pressure

## S13D / C13D 3-piece ball valve - 1/2" up to 4"



### Description

- 2-way ball valve with BSP, NPT female threaded or BW ends
- Full bore
- Body, ball and stem in SS316
- Mounting flange ISO 5211 for direct mounting pneumatic or electric actuators
- Seats PTFE
- Working pressure maximum 63 Barg
- Temperature -30° up to + 180° C.
- Face to face BSP according to DIN 3203 M4, for But weld ends according to DIN 3202 S13
- Blow-out proof stem, lockable lever
- Anti-static, suitable for vacuum

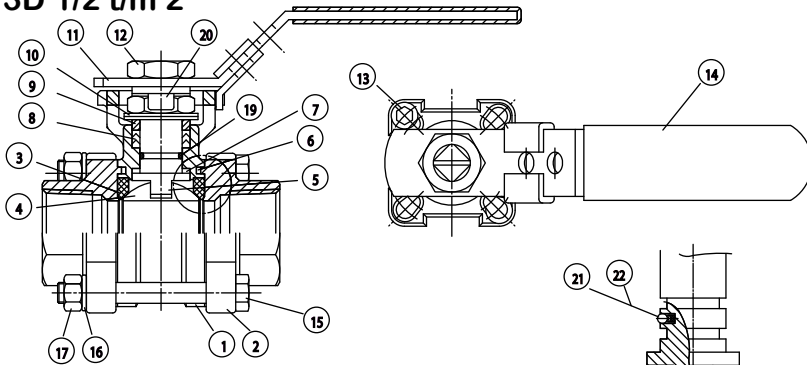
### Options:

- Automatic electric or pneumatic actuation
- Socket weld
- Stem extension
- Fire safe version according to API607 4e edition
- Spring return lever up to 2"

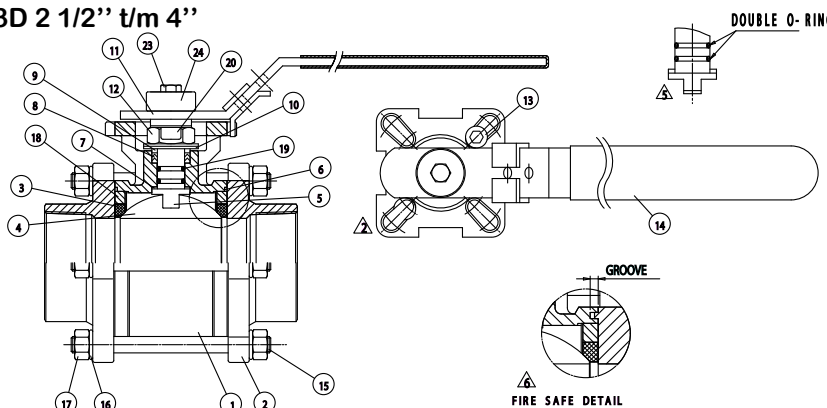
### Certificates:

- 3.1 Material certificate
- CE declaration
- Fire safe according to API607 4e edition
- TA-luft declaration

### S13D 1/2" t/m 2"



### S13D 2 1/2" t/m 4"

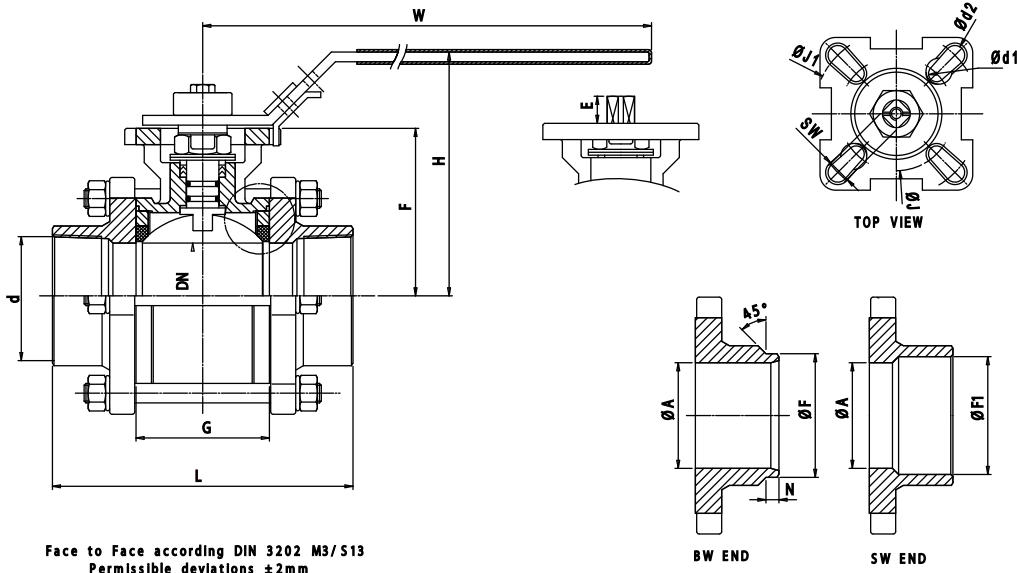
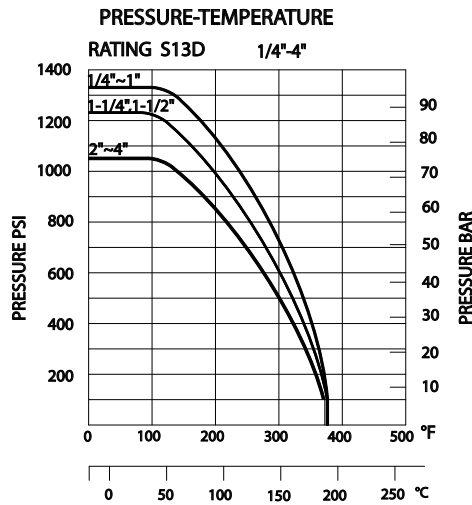


		S13D	C13D
Item	Description	Material	Material
1	Body	SS316	Carbon steel
2	End cap	SS316	Carbon steel
3	Seat	PTFE	PTFE
4	Ball	SS316	SS316
5	Stem	SS316	SS316
6	Packing	PTFE	PTFE
7	Seal	PTFE	PTFE
8	Seal	PTFE	PTFE
9	Gland	SS304	SS304
10	Spring disc	SS	SS
11	Lever	SS	SS
12	Nut	SS	SS
13	Bolt	SS	SS
14	Grip	PVC	PVC
15	Bolts	SS	SS
16	Washer	SS	SS
17	Nuts	SS	SS
18	Center ring	SS	SS
19	O-ring	Viton®	Viton®
20	Locking device	SS	SS
21	Spring	SS316	SS316
22	Ball	SS316	SS316
23	Bolt	SS	SS
24	Washer	SS	RVS

Fire safe version: Item 6 and 8 will be Graphite.



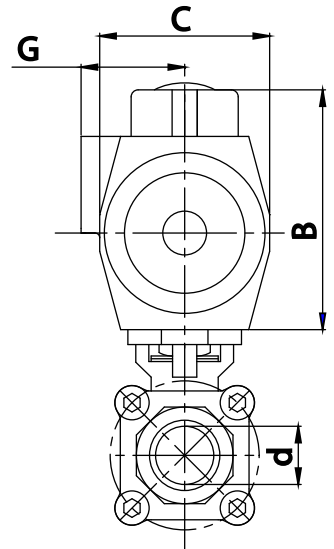
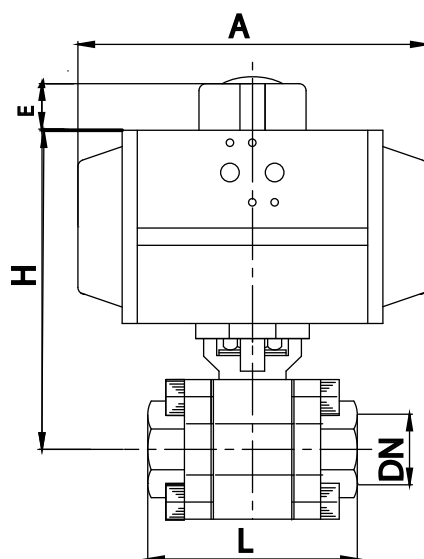
### S13D / C13D 3-piece ball valve - 1/2" up to 4"



Face to Face according DIN 3202 M3/S13  
Permissible deviations ±2mm

Dimensions 1/2" up to 4" [mm]									
d	1/2"	3/4"	1"	1 1/4"	1 1/2"	2"	2 1/2"	3"	4"
DN	16	20	24.5	32	38	50	65	80	100
L BSP	75	80	90	110	125	150	185	205	240
L-BW	75	90	100	110	125	150	190	220	270
H	70.9	73.4	84.1	98.3	109.5	110.9	155	165	180
W	110	110	135	135	165	165	300	335	335
G ?	25.2	27.7	33	41.2	49.3	63.6	82.1	95.8	117.8
J = ØP-ISO	36	36	42	42	50	50	70	70	70
J1 = ØP-ISO	42	42	50	50	70	70	102	102	102
d1	6	6	6	6	7	7	9	9	9
d2	6	6	7	7	9	9	11	11	11
SW	9	9	11	11	14	14	17	17	17
E	8	8	10	10	14.8	14.8	17.1	17.1	17.1
F	17	22	28	37	43	54	76.1	88.9	114.3
F1	21.3	26.9	33.7	42.4	48.3	60.3	77	90	115.5
Weight [kg]	0.596	0.871	1.359	2.009	2.904	4.669	10.34	15.26	24.6

## S13D / C13D 3-piece ball valve - 1/2" up to 4"



With double acting pneumatic actuator [mm]										
DN (d)	DW	A	B	C	E	G	H	L BW	L BSP	Weight [kg]
DN15 (1/2")	AP1D	137	87	60	20	41	130	75	75	1.5
DN20 (3/4")	AP1D	137	87	60	20	41	132	90	80	1.8
DN25 (1")	AP2D	150	103	73	20	44.5	158	100	90	2.9
DN32 (1 1/4")	AP2D	150	103	73	20	44.5	163	110	110	3.4
DN40 (1 1/2")	AP3D	204	120	85	20	49.5	194	125	120	5.5
DN50 (2")	AP3D	204	120	85	20	49.5	204	150	140	7.1
DN65 (2 1/2")	AP3.5D	230	130	98	20	53	237	190	185	14
DN80 (3")	AP3.5D	230	130	98	20	53	248	220	205	18.7
DN100 (4")	AP4.5D	305	172	128	30	69	305	270	240	33.7

With single acting pneumatic actuator [mm]										
DN (d)	EW	A	B	C	E	G	H	L BW	L BSP	Weight [kg]
DN15 (1/2")	AP2S	150	103	73	20	44.5	146	75	75	2.2
DN20 (3/4")	AP2S	150	103	73	20	44.5	148	90	80	2.5
DN25 (1")	AP3S	204	120	85	20	49.5	175	100	90	4.5
DN32 (1 1/4")	AP3S	204	120	85	20	49.5	180	110	110	5.1
DN40 (1 1/2")	AP3.5S	230	130	98	20	53	204	125	120	7.4
DN50 (2")	AP3.5S	230	130	98	20	53	214	150	140	9.2
DN65 (2 1/2")	AP4S	271	145	110	30	58	252	190	185	16.0
DN80 (3")	AP4.5S	305	172	128	30	69	290	220	205	24.3
DN100 (4")	AP5S	360	185	140	30	-	318	270	240	37.5

Pneumatic actuators are based on PTFE seat rings, minimum air pressure of 6 bar(g) and medium of clean water 20°C with at 6 bar pressure



## S33D SS316 3-piece ball valve - 1/2" up to 2"



### Description

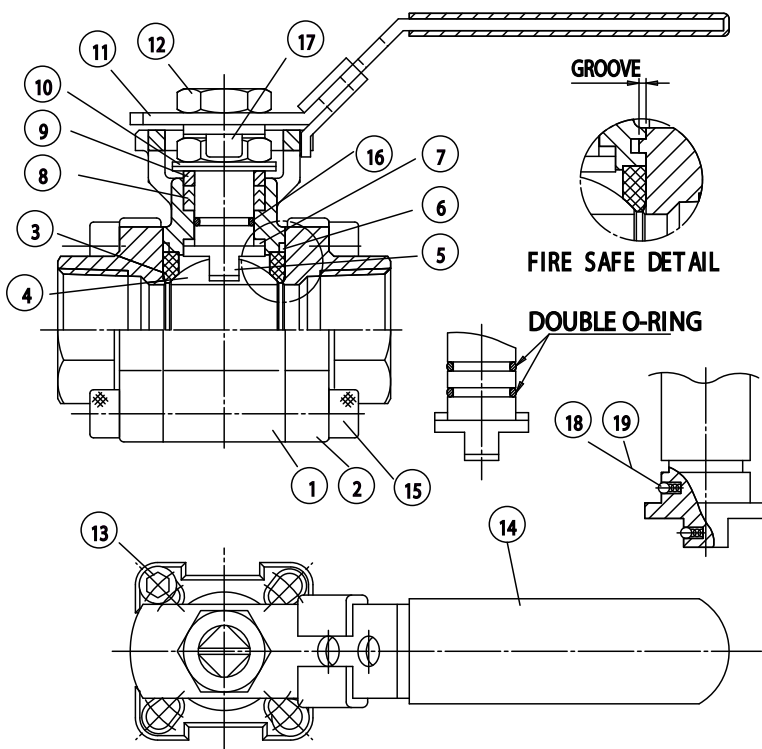
- 2-way ball valve with BSP female thread or BW ends
- Full bore
- Body, ball and stem in SS316
- Mounting flange ISO 5211 for direct mounting pneumatic or electric actuators
- Seats PTFE
- Working pressure maximum 100 Barg
- Temperature -30° up to + 180° C.
- Face to face BSP according to DIN 3203 M4, for But weld ends according to DIN 3202 S13
- Blow-out proof stem, lockable lever
- Anti-static , suitable for vacuum

### Options:

- Automatic electric or pneumatic actuation
- Socket weld or NPT female threaded ends
- Stem extension, Spring return lever up to 2"
- Fire safe version according to API607 4e edition
- 2 1/2" and 3" version

### Certificats:

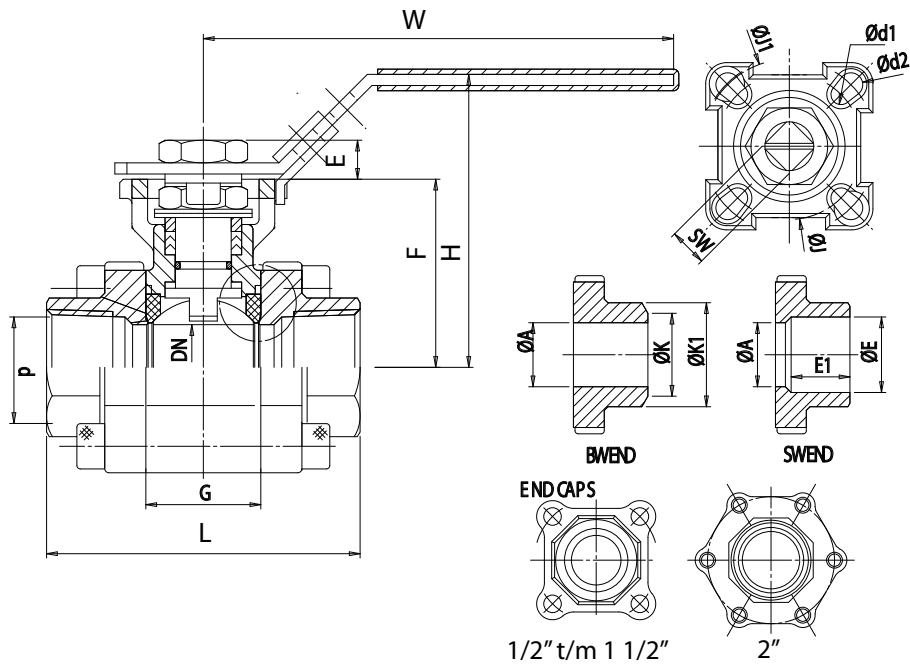
- 3.1 Material certificate
- CE declaration
- Fire safe according to API607 4e edition
- TA-Luft declaration



Item	Description	Material	
		Standard	Fire Safe
1	Body	SS316	SS316
2	End cap	SS316	SS316
3	Seat	PTFE 15% Glassfiber filled	PTFE 15% Glassfiber filled
4	Ball	SS316	SS316
5	Stem	SS316	SS316
6	Packing	PTFE	Graphite
7	Thrust washer	PTFE	PTFE
8	Seal	PTFE	Graphite
9	Gland	SS304	SS304
10	Spring discs	SS	SS
11	Lever	SS	SS
12	Nut	SS	SS
13	Stop	SS	SS
14	Grip	PVC	PVC
15	Bolts	SS	SS
16	O-ring	Viton®	Viton®
17	Locking device	SS	SS
18	Ball	SS	SS
19	Spring	SS	SS

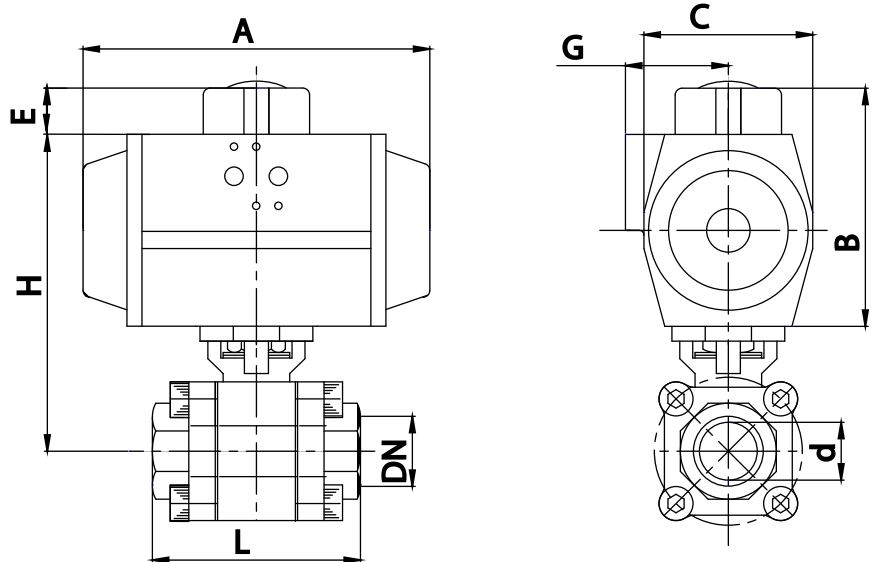


**S33D SS316 3-piece ball valve - 1/2" up to 2"**



Dimensions 1/4" up to 2" [mm]						
d	1/2"	3/4"	1"	1 1/4"	1 1/2"	2"
DN	16	20	24.5	32	38	50
L-BSP	75	80	90	110	120	125
L-BW	75	90	100	110	125	150
H	70.9	73.4	84.1	98.3	109.5	118.9
W	110	110	135	135	165	165
G	25.2	27.7	33	41.2	49.3	63.6
J = ØP-ISO	36	36	42	42	50	50
J1 = ØP-ISO	42	42	50	50	70	70
d1	6	6	6	6	7	7
d2	6	6	7	7	9	9
SW	9	9	11	11	14	14
E	8	8	10	10	14.8	14.8
K	17	22	28	37	43	54
K1	21.3	26.9	33.7	42.4	48.3	60.3
F	42.3	44.8	54	59.2	73.5	82.9
Weight [kg]	0.826	1.014	1.698	2.575	3.707	6.58

## S33D SS316 3-piece ball valve - 1/2" up to 2"



With double acting pneumatic actuator [mm]										
DN (d)	DW	A	B	C	E	G	H	L BW	L BSP	Weight [kg]
DN15 (1/2")	AP1D	137	87	60	20	41	130	75	75	1.8
DN20 (3/4")	AP1D	137	87	60	20	41	132	90	80	2.0
DN25 (1")	AP2D	150	103	73	20	44.5	158	100	90	3.2
DN32 (1 1/4")	AP2D	150	103	73	20	44.5	163	110	110	4.2
DN40 (1 1/2")	AP3D	204	120	85	20	49.5	194	125	120	6.4
DN50 (2")	AP3D	204	120	85	20	49.5	204	150	140	9.2

With single acting pneumatic actuator [mm]										
DN (d)	EW	A	B	C	E	G	H	L BW	L BSP	Weight (kg)
DN15 (1/2")	AP2S	150	103	73	20	44.5	146	75	75	2.4
DN20 (3/4")	AP2S	150	103	73	20	44.5	148	90	80	2.7
DN25 (1")	AP3S	204	120	85	20	49.5	175	100	90	4.8
DN32 (1 1/4")	AP3S	204	120	85	20	49.5	180	110	110	5.8
DN40 (1 1/2")	AP3.5S	230	130	98	20	53	204	125	120	8.2
DN50 (2")	AP3.5S	230	130	98	20	53	214	150	140	11.2

Pneumatic actuators are based on PTFE seat rings, minimum air pressure of 6 bar(g) and medium of clean water 20°C with at 6 bar pressure

## S15D SS316 Wafer type ball valve PN16 - DN 15 up to DN 100



### Description

- 2-way wafer type ball valve with flange connection PN16
- Full bore
- Body, ball and stem SS316
- Mounting flange ISO 5211 for direct mounting pneumatic or electric actuators
- Seats and seals PTFE
- Pressure class PN16, flanged RF DIN2501
- Blow-out proof stem, lockable lever
- Suitable for vacuum
- Anti-static
- Temperature -30° C up to 180° C.

### Options:

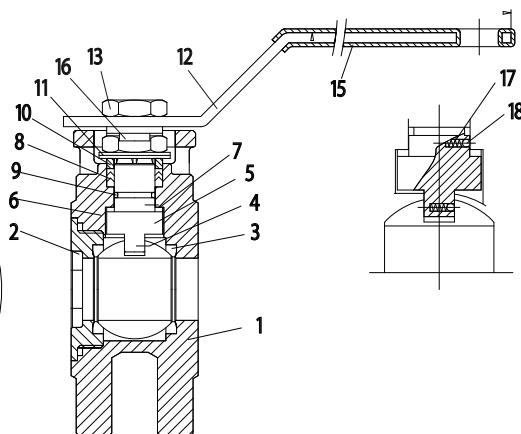
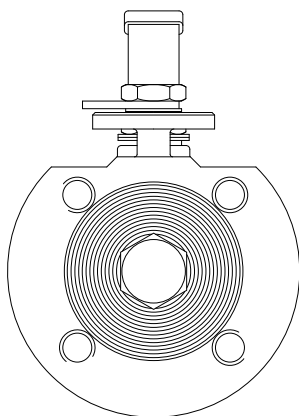
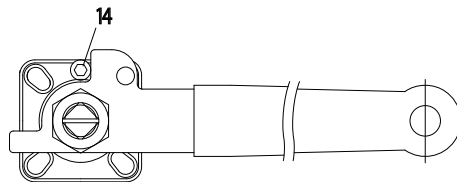
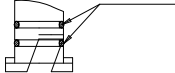
- Automatic electric or pneumatic actuation
- Stem extension TFM seats
- Endswitches Peek seats
- Carbon steel version type C15D Integral seats
- Spring return lever up to DN 50

### Certificates:

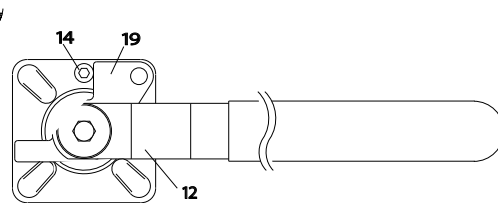
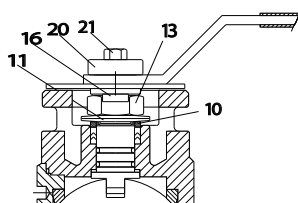
- 3.1 Material certificate
- CE declaration
- TA-Luft declaration

### DN15 t/m 50

#### DOUBLE O-RING

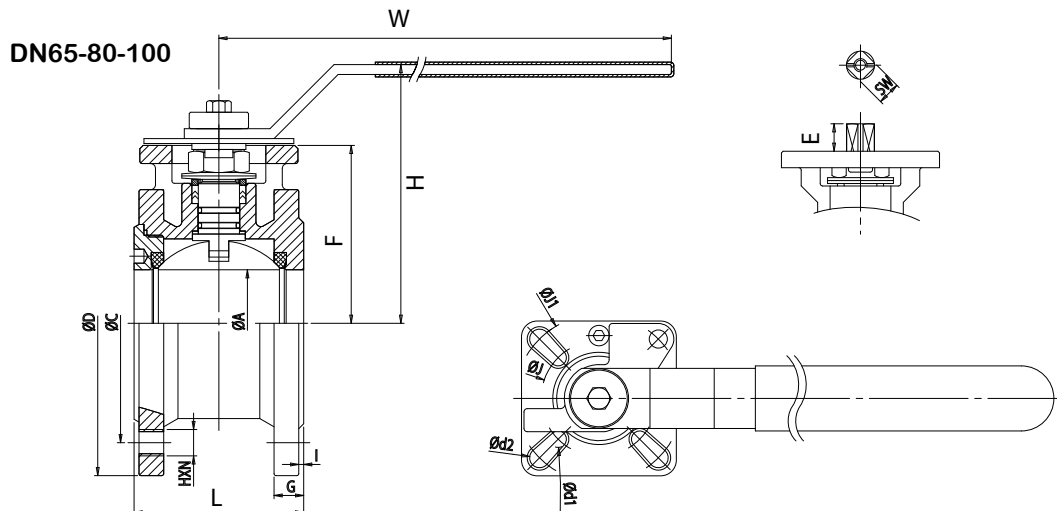
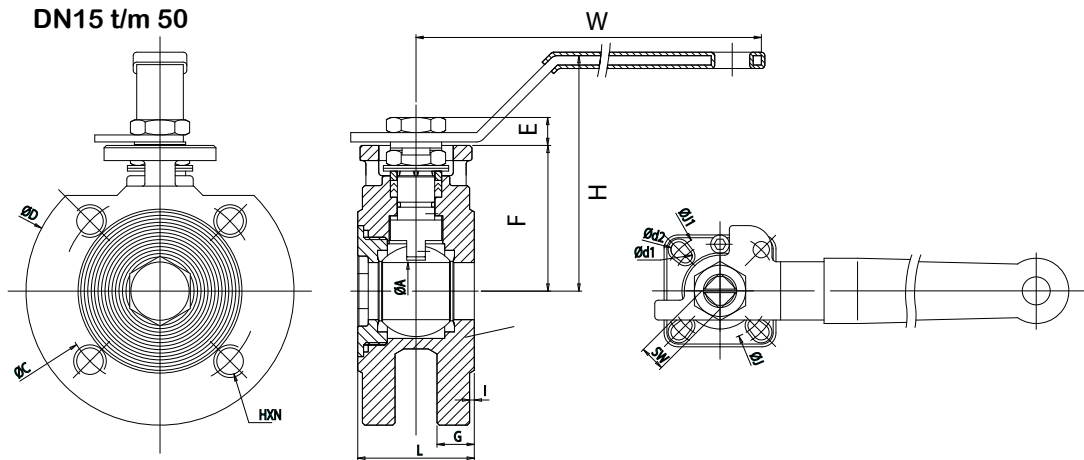


### DN 65-80-100



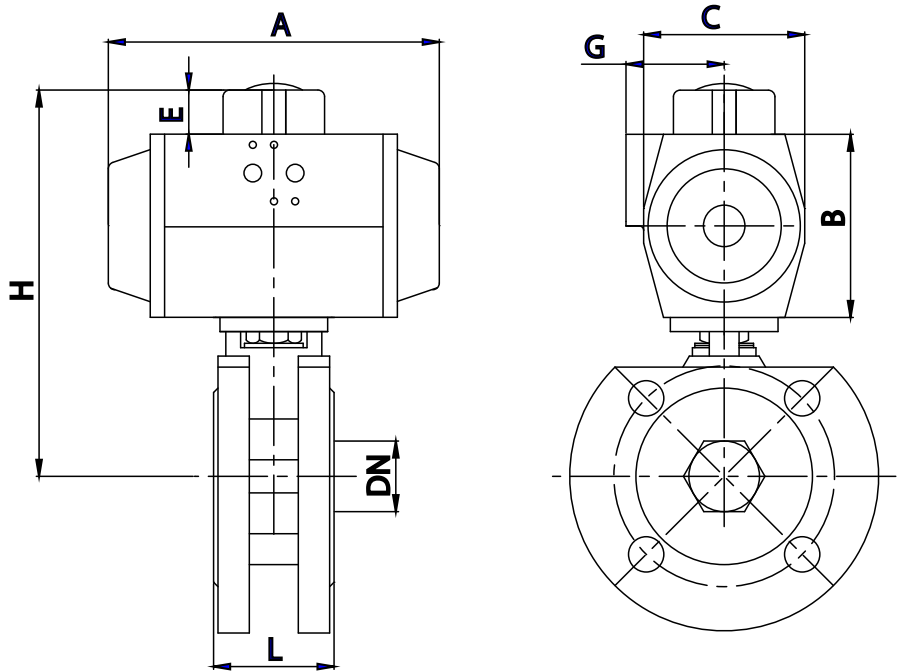
Item	Description	Material S15D	Material C15D
1	Body	SS316	Carbon steel
2	Insert	SS316	Carbon steel
3	Seat	PTFE	PTFE
4	Ball	SS316	SS304
5	Stem	SS316	SS304
6	Body packing	PTFE	PTFE
7	Seal	PTFE	PTFE
8	Seal	PTFE	PTFE
9	O-ring	Viton®	Viton®
10	Gland	SS	SS
11	Spring disc	SS	SS
12	Lever	SS	SS
13	Nut	SS	SS
14	Stop bolt	SS	SS
15	Grip	PVC	PVC
16	Locking tab	SS	SS
17	Spring	SS316	SS316
18	Ball	SS316	SS316
19	Stop plate	SS	SS
20	Spacer	SS	SS
21	Bolt	SS	SS

## S15D SS316 Wafer type ball valve PN16 - DN 15 up to DN 100



Dimensions DN 15 up to DN 50 [mm]							DN 65 up to 100 [mm]		
DN	15	20	25	32	40	50	65	80	100
A	16	20	25	32	40	50	65	80	96
C	65	75	85	100	110	125	145	160	180
D	95	105	115	140	150	165	185	200	220
H	89	89	101	112	116	125	154	165	180
W	114	114	187	187	222	222	350	350	350
G	14	16	16	16	16	18	18	20	20
J	36	36	42	42	50	50	70	70	70
J1	42	42	50	50	70	70	102	102	102
d	6	6	6	6	7	7	9	9	9
d1	6	6	7	7	9	9	11	11	11
SW	9	9	11	11	14	14	17	17	17
H x N	M12x4	M12x4	M12x4	M16x4	M16x4	M16x4	M16x4	M16x8	M16x8
L	42	44	50	54	68	82	103	122	152
I	2	2	2	2	3	3	3	3	3
F	54	56	62.5	72	78	87.2	107	117.3	132.3
E	8	8	12	12	14.8	14.8	17.1	17.1	17.1
Weight [kg]	1.5	1.9	2.6	3.7	4.6	6.4	10.5	13.5	20

## S15D SS316 Wafer type ball valve PN16 - DN 15 up to DN 100



With double acting pneumatic actuator [mm]									
DN	DW	A	B	C	E	G	H	L	Weight [kg]
DN15 (1/2")	AP1D	137	87	60	20	41	141	42	2.5
DN20 (3/4")	AP1D	137	87	60	20	41	143	44	3.0
DN25 (1")	AP2D	150	103	73	20	44.5	166	50	4.0
DN32 (1 1/4")	AP2D	150	103	73	20	44.5	175	54	5.1
DN40 (1 1/2")	AP3D	204	120	85	20	49.5	198	68	7.1
DN50 (2")	AP3D	204	120	85	20	49.5	208	82	9.0
DN65 (2 1/2")	AP3.5D	230	130	98	20	53	237	103	14.2
DN80 (3")	AP3.5D	230	130	98	20	53	248	122	17.4
DN100 (4")	AP4.5D	305	172	128	30	69	305	152	28.3

With single acting pneumatic actuator [mm]									
DN	EW	A	B	C	E	G	H	L	Weight [kg]
DN15 (1/2")	AP2S	150	103	73	20	44.5	157	42	3.1
DN20 (3/4")	AP2S	150	103	73	20	44.5	159	44	3.5
DN25 (1")	AP3S	204	120	85	20	49.5	183	50	5.6
DN32 (1 1/4")	AP3S	204	120	85	20	49.5	192	54	6.7
DN40 (1 1/2")	AP3.5S	230	130	98	20	53	208	68	9.0
DN50 (2")	AP3.5S	230	130	98	20	53	218	82	11.0
DN65 (2 1/2")	AP4S	271	145	110	30	58	252	103	16.2
DN80 (3")	AP4.5S	305	172	128	30	69	318	122	23.1
DN100 (4")	AP5S	360	185	140	30	-	348	152	32.2

Pneumatic actuators are based on PTFE seat rings, minimum air pressure of 6 bar(g) and medium of clean water 20°C with at 6 bar pressure





## S15F SS316 wafer type ball valve PN16 - DN 125-150-200



### Description

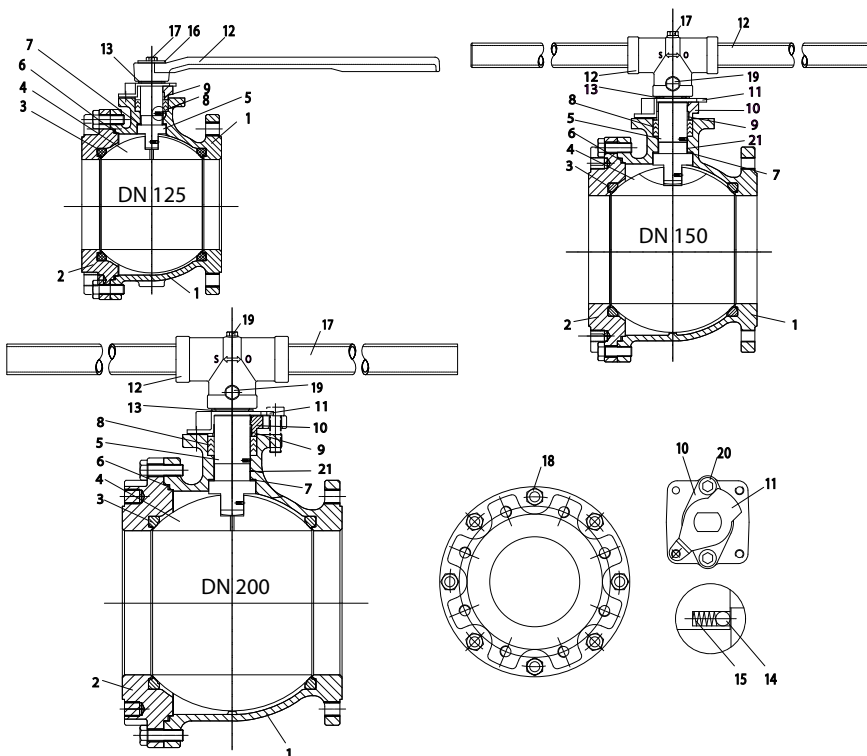
- 2-way wafer type ball valve with flange connection PN16
- Full bore
- Body, ball and stem SS316
- Mounting flange ISO 5211 for mounting electric or pneumatic actuators
- Seats and seals PTFE
- Pressure class PN16, flanged RF DIN2501
- Blow-out proof stem, lockable lever
- Anti-static
- Temperature -30° C up to 180° C.

### Options:

- Automatic electric or pneumatic actuation
- Stem extension
- Endswitches

### Certificates:

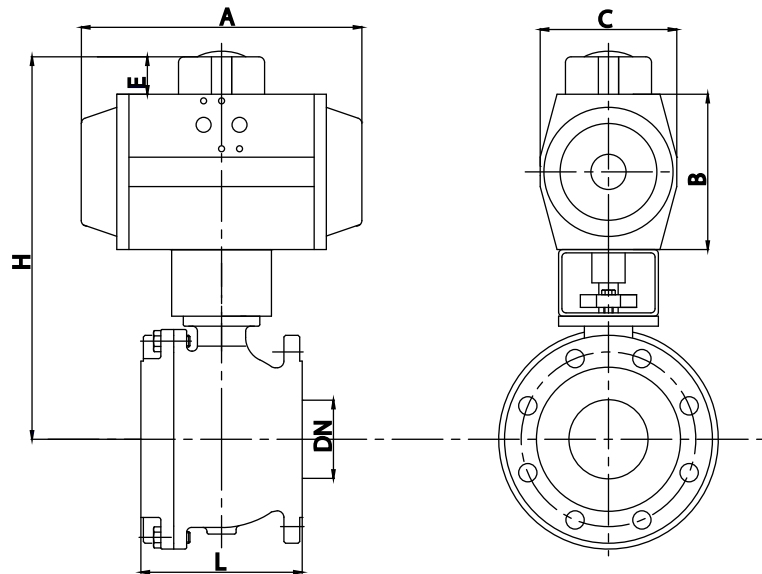
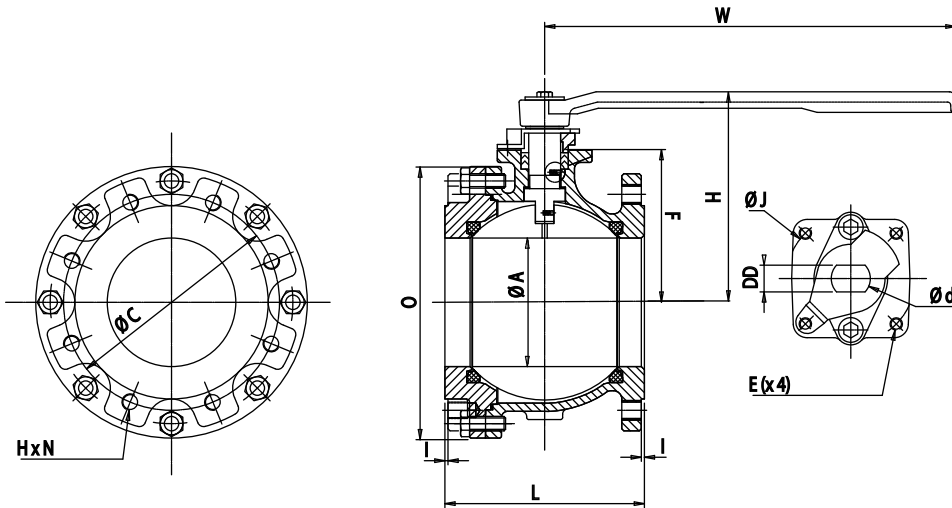
- 3.1 Material certificate
- CE declaration



Item	Description	Material S15F	Material C15F
1	Body	SS316	Carbon steel
2	Body part	SS316	Carbon steel
3	Seat	PTFE	PTFE
4	Ball	SS316	SS304
5	Stem	SS316	SS304
6	Body packing	PTFE	PTFE
7	Thrust washer	PTFE	PTFE
8	Seal	PTFE	PTFE
9	Bushing	SS	SS
10	Gland	SS	SS
11	Stop plate	SS	SS
12	Lever	Ductile iron	Ductile iron
13	Snapring	SS	SS
14	Ball	SS316	SS316
15	Spring	SS316	SS316
16	Bushing	Steel	Steel
17	Bolt	SS	SS
18	Bolt	SS	SS
19	Bolt	SS	SS
20	Bolt	SS	SS
21	Stem bearing	PTFE	PTFE

## S15F SS316 wafer type ball valve PN16 - DN 125-150-200

Dimensions DN125 up to DN200 [mm]			
DN	125	150	200
A	125	150	200
C	210	240	295
H	298	298	371
W	114	114	187
G	14	16	16
J	102	125	140
d	31	38	48
DD	20	26	32
H x N	M16x8	M16x8	M20x12
L	194	234	305
I	3	3	3
F	400	800	1100
E	M10x1.5	M12x1.75	M16
O	264	312	305
Weight [kg]	40	65	130



With double acting pneumatic actuator [mm]								
DN	DW	A	B	C	E	H	L	Weight [kg]
DN125 (5")	AP4.5D	305	142	128	30	370	194	54
DN150 (6")	AP6D	462	200	175	30	462	234	92
DN200 (8")	AP8D	555	250	215	50	583	305	175

With single acting pneumatic actuator [mm]								
DN	EW	A	B	C	E	H	L	Weight [kg]
DN125 (5")	AP8S	555	250	215	50	478	194	92
DN150 (6")	AP8S	555	250	215	50	512	234	119
DN200 (8")	AP10S	750	335	290	50	668	305	263

Pneumatic actuators are based on PTFE seat rings, minimum air pressure of 6 bar(g) and medium of clean water 20°C with at 6 bar pressure

## S10F/C10F wafer type ball valve PN16-PN40



### Description

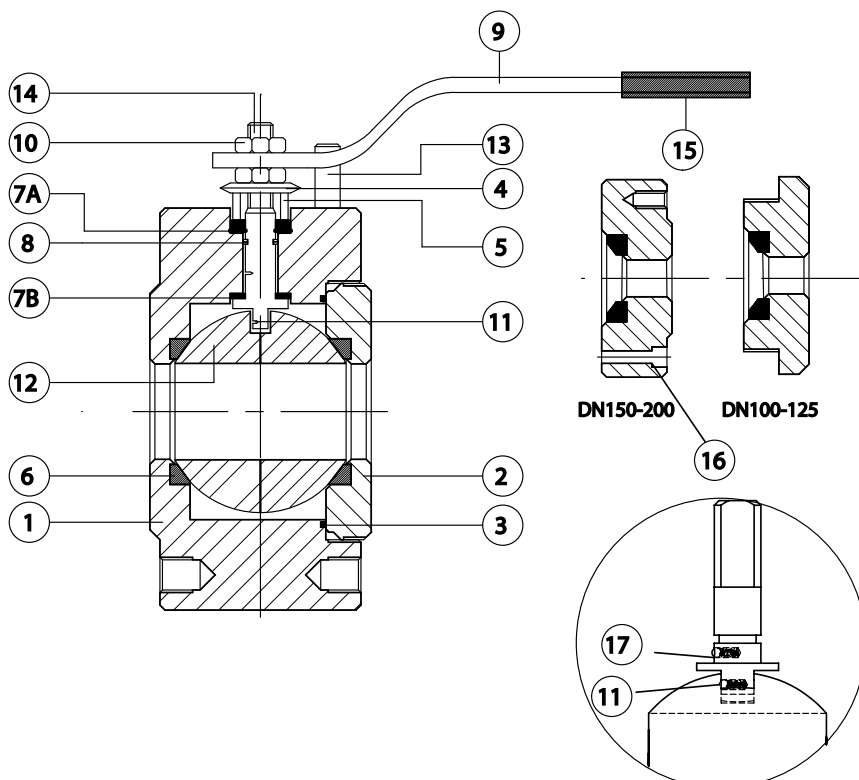
- 2-way wafer type ball valve flange connection PN16-PN40
- Full bore
- Body SS316 or Carbon steel, ball and stem SS316 or 304
- ISO 5211 pattern for mounting pneumatic or electric actuators
- Seats and Seals PTFE
- Pressure class PN16 and/or PN40, flanged RF DIN2501
- Blow-out proof stem
- Suitable for vacuum
- Anti-static
- Temperature -30° C up to 180° C.

### Options:

- Automatic electric or pneumatic actuation
- Stem extension
- Endswitches
- Fire safe version, Oxygen cleaned, Heating Jacket, Thru going holes
- Peek, RPTFE, TFM, Integral, PTFE RVS filled seats
- Pressure classes ANSI150-300-600 and PN63-100 on request
- Special materials as Inconel, SS316ti, Hastelloy etc on request

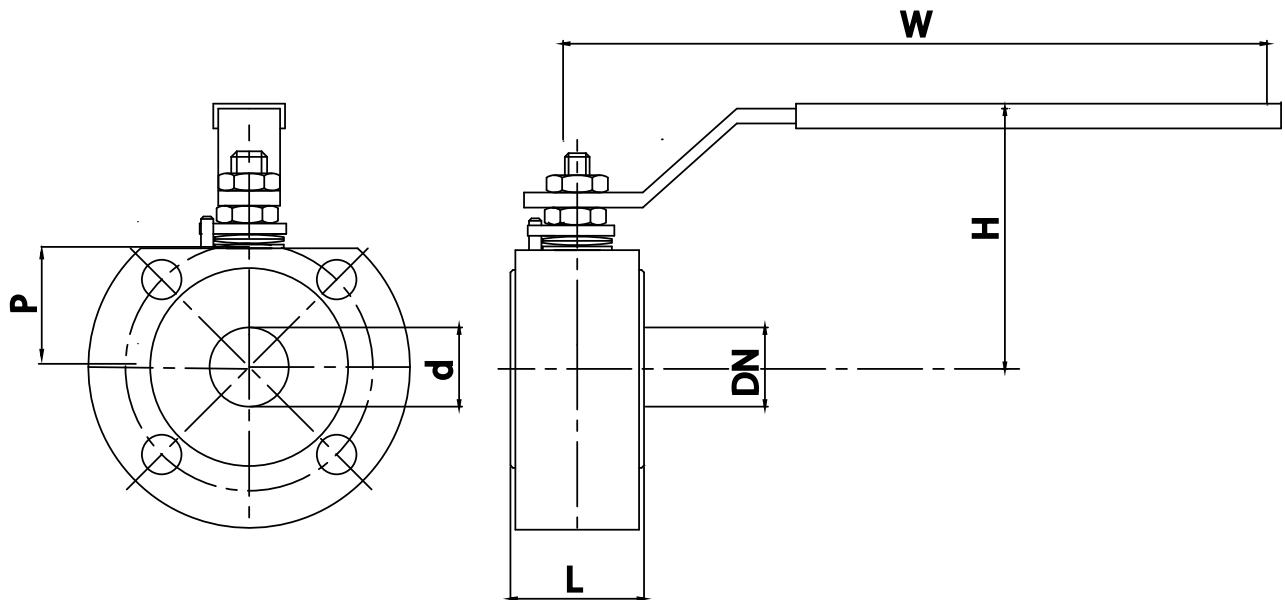
### Certificates:

- 3.1 Material certificate
- CE declaration
- Fire safe API607 4e edition
- TA Luft declaration



Item	Description	Material S10F	Material C10F
1	Body	SS316	Carbon steel
2	Body end	SS316	Carbon steel
3	Body packing	PTFE	PTFE
4	Disc springs	SS316	Steel
5	Gland	SS	SS
6	Seat	PTFE	PTFE
7A+B	Seal	PTFE	PTFE
8	O-ring	Viton®	Viton®
9	Lever	Steel zinc plated	Steel zinc plated
10	Nut	Steel zinc plated	Steel zinc plated
11	Anti-static	SS316	SS304
12	Ball	SS316	SS304
13	Stop	Steel	Steel
14	Stem	SS316	SS304
15	Grip	PVC	PVC
16	Bolt	SS	Steel
17	Anti-static	SS316	SS316

## S10F/C10F wafer type ball valve PN16-PN40

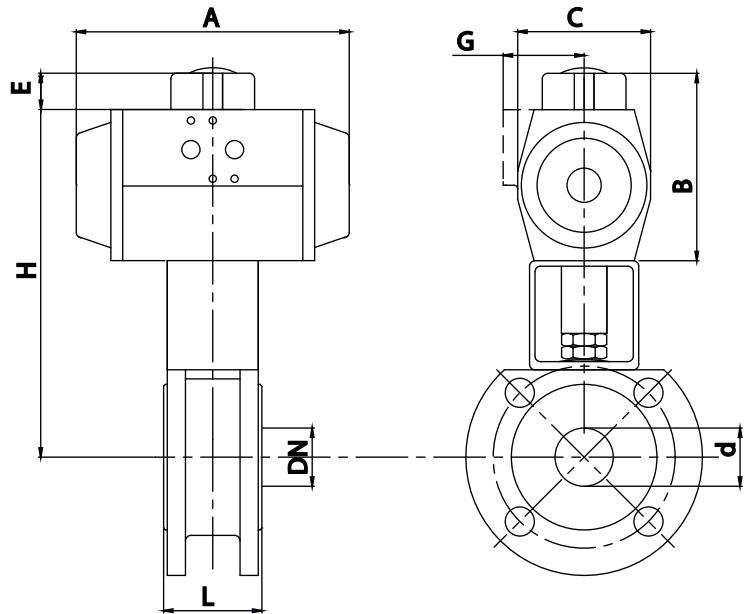


Dimensions DN 15 up to DN 200 [mm]												
DN	15	20	25	32	40	50	65	80	100	125	150	200
d	14	20	24	32	38	48	62	75	97	118	144	194
W	148	148	174	274	274	286	386	386	515	515	670	930
H	100	105	100	105	110	128	200	215	220	230	250	295
L	36	38	45 (*42)	54	60	85 (*70)	103 (*95)	120 (*118)	150 (*140)	200 (175)	230 (*210)	292
P	33	38	42	49.5	53	66	81	89	103.5	114	140.5	240
C10F [kg]	1.8	2	3	5	6.5	10	16	22.5	31.5	48	67	155
S10F [kg]	1.8	2	3	5	4.5	6.7	11.3	13	21.5	36	57	115

(\* ) length on special demand, no standard stock.

Distance and diameters X according to UNI - ANSI - DIN

## S10F/C10F wafer type ball valve PN16-PN40



With double acting pneumatic actuator [mm]										
DN	DW	d	A	B	C	E	G	H	L	Weight [kg]
DN15 (1/2")	AP1D	14	137	87	60	20	41	150	36	2.8
DN20 (3/4")	AP1D	20	137	87	60	20	41	155	38	4
DN25 (1")	AP1D	24	137	87	60	20	41	159	45 (*42)	4.7
DN32 (1 1/4")	AP2D	32	150	103	73	20	44.5	193	54	5.8
DN40 (1 1/2")	AP3D	38	204	120	85	20	49.5	213	60	8.3
DN50 (2")	AP3D	48	204	120	85	20	49.5	226	85 (*70)	10.6
DN65 (2 1/2")	AP3,5D	62	230	130	98	20	53	251	103 (*95)	19
DN80 (3")	AP4D	75	271	145	110	30	58	264	120 (*118)	25.3
DN100 (4")	AP4D	97	271	145	110	30	58	299	150 (*140)	35.4
DN125 (5")	AP5D	118	360	185	140	30	-	349	200 (*175)	57.3
DN150 (6")	AP5D	144	360	185	140	30	-	376	230 (*210)	90
DN200 (8")	AP6D	194	462	230	175	30	-	531	292	180

With single acting pneumatic actuator [mm]										
DN	EW	d	A	B	C	E	G	H	L	Weight [kg]
DN15 (1/2")	AP2S	14	150	103	73	20	44.5	166	36	3.4
DN20 (3/4")	AP3S	20	204	120	85	20	49.5	198	38	5.1
DN25 (1")	AP3S	24	204	120	85	20	49.5	202	45 (*42)	5.8
DN32 (1 1/4")	AP3S	32	204	120	85	20	49.5	210	54	7.4
DN40 (1 1/2")	AP3,5S	38	230	130	98	20	53	223	60	10.3
DN50 (2")	AP3,5S	48	230	130	98	20	53	236	85 (*70)	12.7
DN65 (2 1/2")	AP4S	62	271	145	110	30	58	256	103 (*95)	21.1
DN80 (3")	AP5S	75	360	185	140	30	-	324	120 (*118)	32.8
DN100 (4")	AP5S	97	360	185	140	30	-	367	150 (*140)	43.1
DN125 (5")	AP5,5S	118	380	206	160	30	-	370	200 (*175)	65.2
DN150 (6")	AP6S	144	462	230	175	30	-	421	230 (*210)	102.8
DN200 (8")	AP8S	194	555	300	215	50	-	601	292	197

Pneumatic actuators are based on PTFE seat rings, minimum air pressure of 6 bar(g) and medium of clean water 20°C with at 6 bar pressure

(\* ) length on special demand, no standard stock.

## S216D/C216D Flanged ball valve PN16-PN40 - DN 15 up to DN 100



### Description

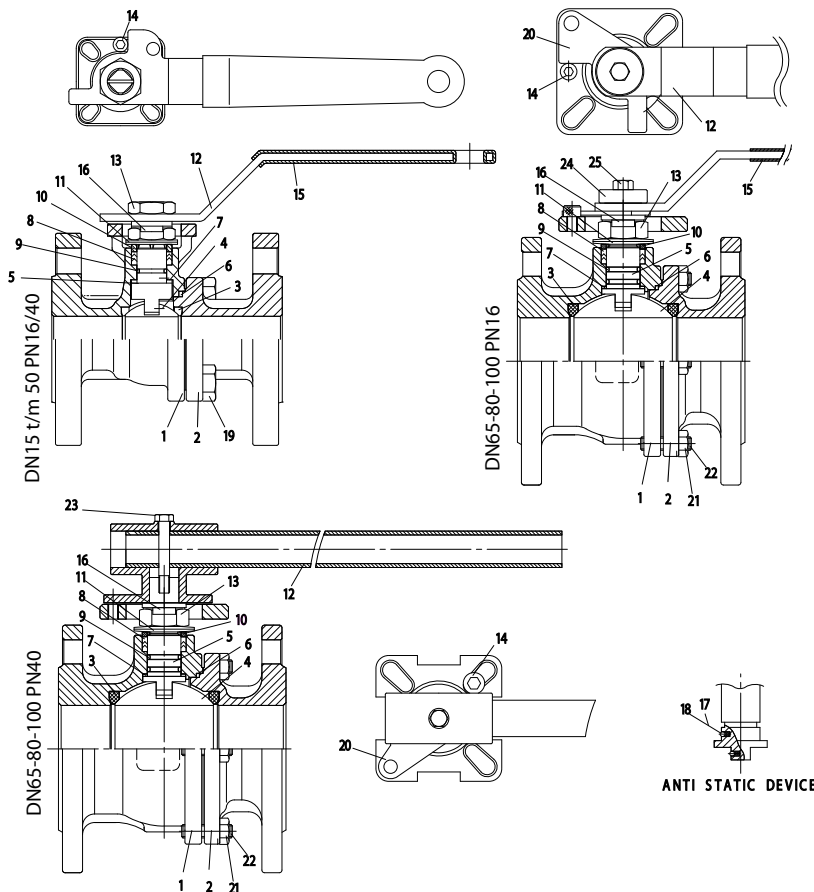
- 2-way Flanged ball valve with face to face length according DIN3202 F4
- Full bore
- Body SS316 or Carbon steel, ball and stem SS316
- Mounting flange ISO 5211 for direct mounting pneumatic or electric actuators
- Seats and seals PTFE
- Pressure class PN16 and/or PN40, flange RF DIN2501
- Blow-out proof stem, lockable lever
- Suitable for vacuum
- Anti-static
- Temperature -30° C up to 180° C.

### Options:

- Automatic electric or pneumatic actuation
- Stem extension
- Endswitches
- Fire safe version
- Spring return lever up to DN 50

### Certificates:

- 3.1 Material certificate
- CE declaration
- Fire safe API607 4e edition
- TA-Luft declaration



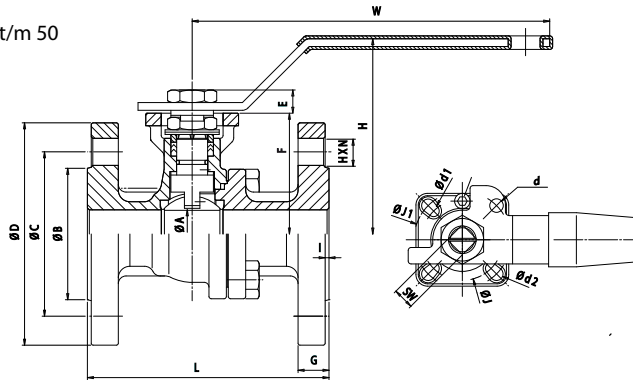
Item	Description	Material S216D	Material C216D
1	Body	SS316	Carbon steel
2	Endcap	SS316	Carbon steel
3	Seat	PTFE	PTFE
4	Ball	SS316	SS304
5	Stem	SS316	SS304
6	Body seal	PTFE	PTFE
7	Thrust washer	PTFE	PTFE
8	Seal	PTFE	PTFE
9	O-ring	Viton®	Viton®
10	Gland	SS	SS
11	Spring disc	SS	SS
12	Lever	SS	SS
13	Nut	SS	SS
14	Stop bolt	SS	SS
15	Grip	PVC	PVC
16	Locking tab	SS	SS
17	Spring	SS316	SS316
18	Ball	SS316	SS316
19	Bolt	SS	SS
20	Stop plate	SS	SS
21	Nut	SS	SS
22	Screw	SS	SS
23	Bolt	SS	SS
24	Bushing	SS	SS
25	Bolt	SS	SS

Fire safe version: Item 6 and 8 will be Graphite.

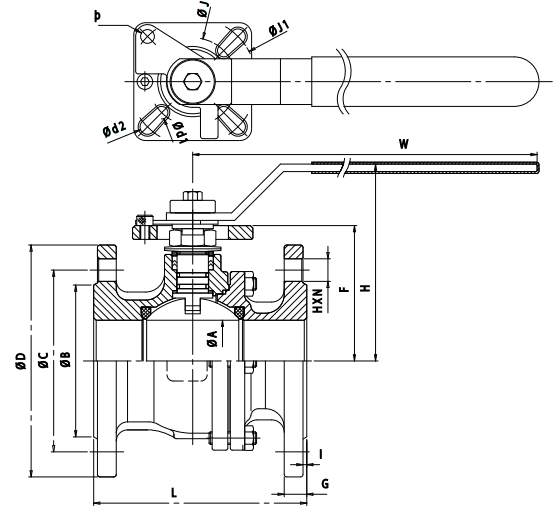


## S216D/C216D Flanged ball valve PN16-PN40 - DN 15 up to DN 100

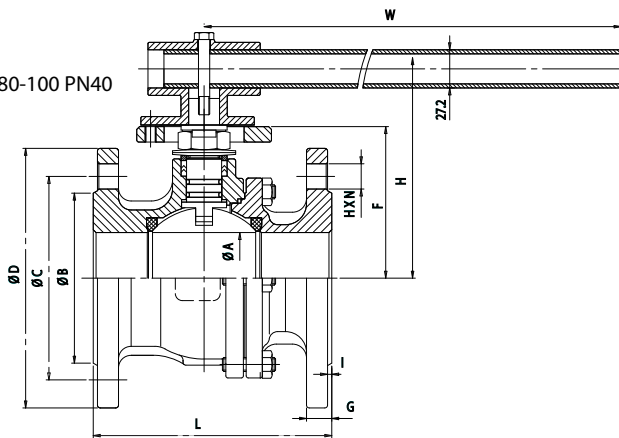
DN 15 t/m 50



DN 65-80-100 PN16



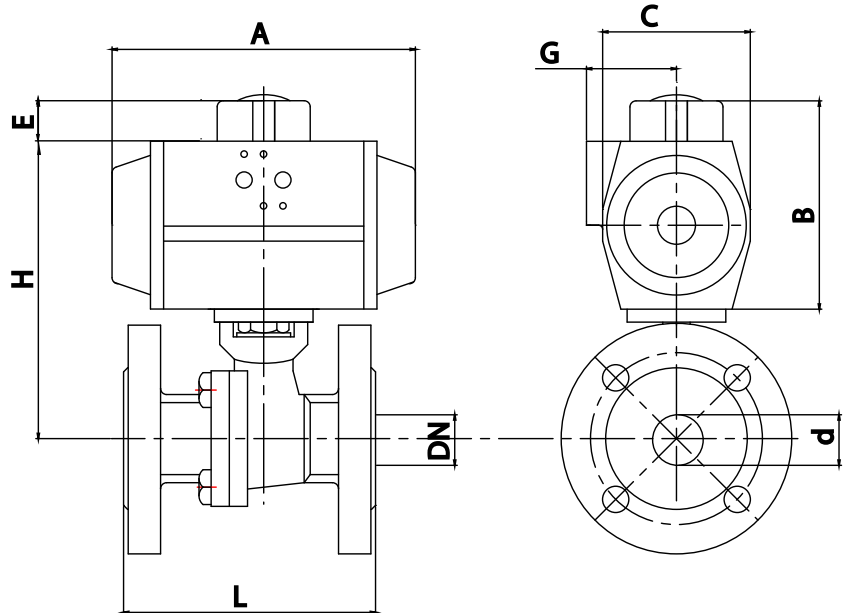
DN 65-80-100 PN40



Dimensions DN 15 up to DN 50 PN16/40 [mm]							DN 65 up to DN 100 PN16 [mm]			DN 65 up to DN 100 PN40 [mm]		
DN	15	20	25	32	40	50	65	80	100	65	80	100
A	16	20	25	32	38	50	65	80	96	65	80	96
C	65	75	85	100	110	125	145	160	180	145	160	190
D	95	105	115	140	150	165	185	200	220	185	200	235
H	89	89	101	112	116	125	154	165	180	150	160	175
W	114	114	187	187	222	222	350	350	350	265	365	365
G	16	18	18	18	18	20	18	20	20	22	24	24
J	36	36	42	42	50	50	70	70	70	70	70	102
J1	42	42	50	50	70	70	102	102	102	102	102	125
d	6	6	6	6	7	7	9	9	9	9	9	11
d1	6	6	7	7	9	9	11	11	11	11	11	13
SW	9	9	11	11	14	14	17	17	17	17	17	22
H x NM	14x4	14x4	14x4	18x4	18x4	18x4	18x4	18x8	18x8	18x8	18x8	22x8
L	115	120	125	130	140	150	170	180	190	170	180	190
I	2	2	2	2	3	3	3	3	3	3	3	3
F	54	56	62.5	72	78	87.2	107	117.3	132.3	107	117.3	132.3
E	8	8	12	12	14.8	14.8	17.1	17.1	17.1	17.1	17.1	22
Weight [kg]	2.28	2.86	3.84	5.32	6.56	9.04	13.94	17.58	24	15.8	20.5	32.0



## S216D/C216D Flanged ball valve PN16-PN40 - DN 15 up to DN 100



With double acting pneumatic actuator [mm]										PN16-40	PN16	PN40
DN	DW	A	B	C	d	E	G	H	L	Weight [kg]	Weight [kg]	Weight [kg]
DN15 (1/2")	AP1D	137	87	60	16	20	41	121	115	3.3		
DN20 (3/4")	AP1D	137	87	60	20	20	41	123	120	3.8		
DN25 (1")	AP2D	150	103	73	25	20	44.5	145.5	125	5.2		
DN32 (1 1/4")	AP2D	150	103	73	32	20	44.5	155	130	6.6		
DN40 (1 1/2")	AP3D	204	120	85	38	20	49.5	178	140	9.0		
DN50 (2")	AP3D	204	120	85	50	20	49.5	187.2	150	11.5		
DN65 (2 1/2")	AP3,5D	230	130	98	65	20	53	217	170		17.7	19,4
DN80 (3")	AP3.5D	230	130	98	80	20	53	227.3	180		21.1	24,2
DN100 (4")	AP4.5D	305	172	128	96	30	69	272.3	190		33.0	41,0

With single acting pneumatic actuator [mm]										PN16-40	PN16	PN40
DN	EW	A	B	C	d	E	G	H	L	Weight [kg]	Weight [kg]	Weight [kg]
DN15 (1/2")	AP2S	150	103	73	16	20	44.5	137	115	4.0		
DN20 (3/4")	AP2S	150	103	73	20	20	44.5	139	120	4.4		
DN25 (1")	AP3S	204	120	85	25	20	49.5	162.5	125	6.7		
DN32 (1 1/4")	AP3S	204	120	85	32	20	49.5	172	130	8.2		
DN40 (1 1/2")	AP3.5S	230	130	98	38	20	53	188	140	11.0		
DN50 (2")	AP3,5S	230	130	98	50	20	53	197.2	150	13.4		
DN65 (2 1/2")	AP4S	271	145	110	65	30	58	222	170		19.6	21,3
DN80 (3")	AP4.5S	305	172	128	80	30	69	259.3	180		26.7	29,8
DN100 (4")	AP5S	360	185	140	96	30	-	287.3	190		37.02	45,0

Pneumatic actuators are based on PTFE seat rings, minimum air pressure of 6 bar(g) and medium of clean water 20°C with at 6 bar pressure

## S40F/C40F Flanged Ball valve PN16-PN40 - DN 15 up to DN 200



### Description

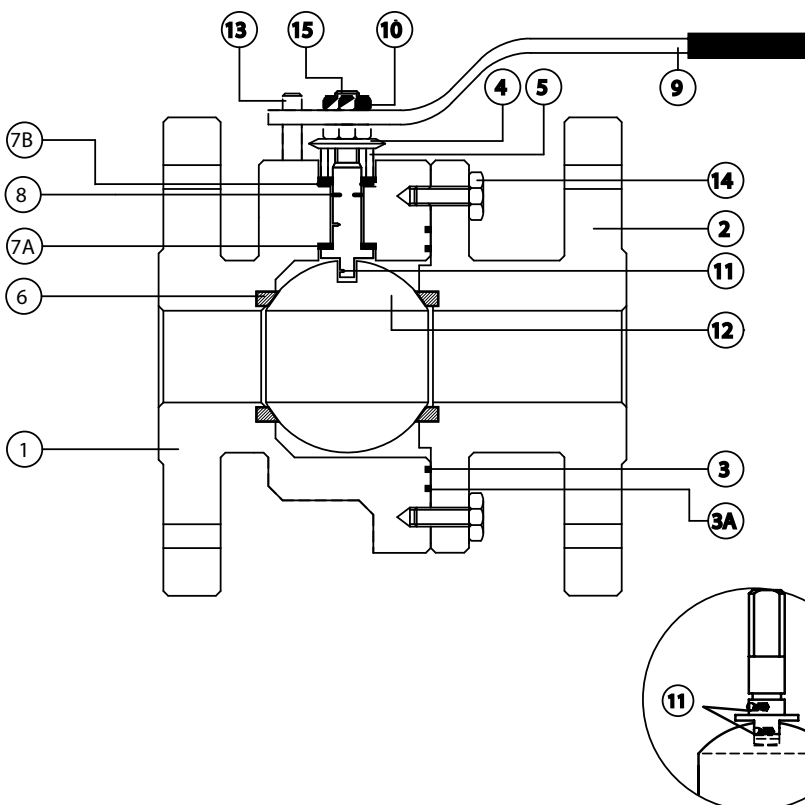
- 2-way Flanged ball valve with face to face according DIN3202 F1, F4 or F5
- Full bore
- Body SS316 or Carbon steel, ball and stem SS316
- ISO 5211 pattern for mounting pneumatic or electric actuators
- Seats and seals PTFE
- Pressure class PN16 and/or PN40, flange RF DIN2501
- Blow-out proof stem
- Suitable for vacuum
- Anti-static
- Temperature -30° C up to 180° C.

### Options:

- Automatic electric or pneumatic actuation
- Stem extension, Endswitches, Heating jacket
- Pressure classes ANSI150-300-600 and PN63-100 on request
- Peek, RPTFE, TFM, Integral, PTFE RVS filled seats
- Materials as Inconel, SS316ti, Hastelloy etc on request
- Fire safe version, Metal seats

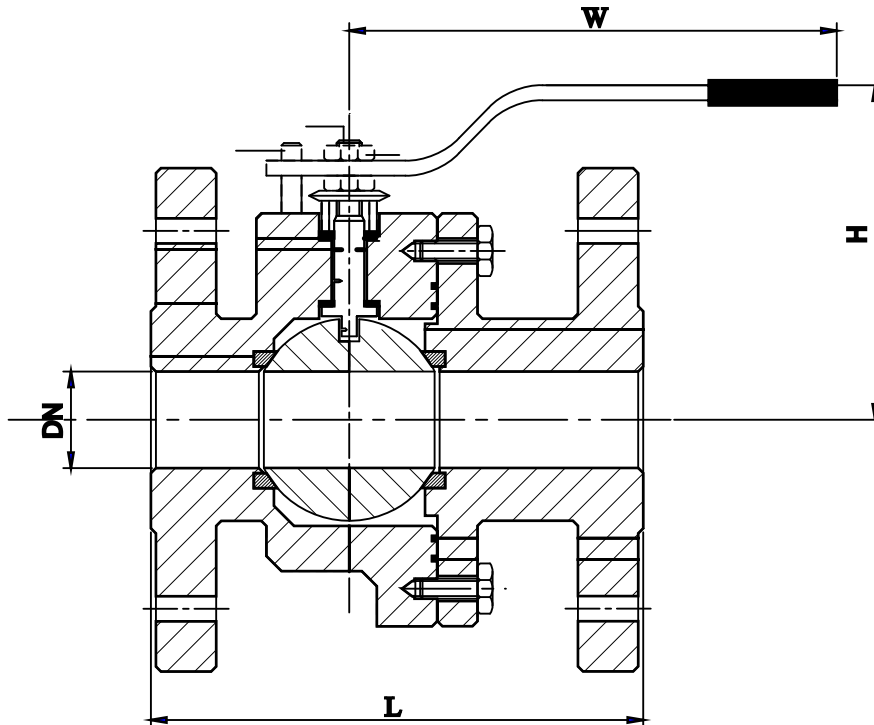
### Certificats:

- 3.1 Material certificate
- CE declaration
- Fire safe API607 4e edition
- TA Luft declaration



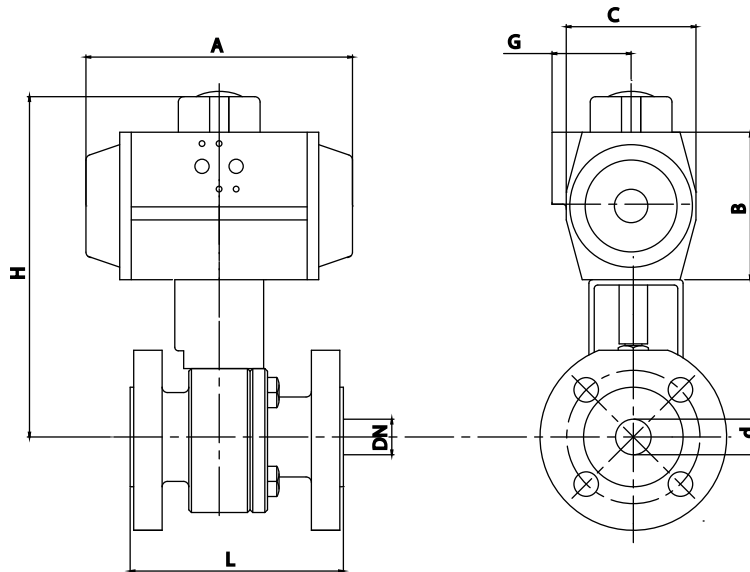
Item	Description	Material S40F	Material C40F
1	Body	SS316	Carbon steel
2	Body end	SS316	Carbon steel
3	Body seal	PTFE	PTFE
3A	O-ring	Viton®	Viton®
4	Disc spring	Steel	Steel
5	Gland	SS	SS
6	Seat	PTFE	PTFE
7A	Thrust washer	PTFE	PTFE
7B	Seal	PTFE	PTFE
8	O-ring	Viton®	Viton®
9	Lever	Steel zinc plated	Steel zinc plated
10	Nut	SS	Steel
11	Anti-static	SS316	SS316
12	Ball	SS316	S316
13	Stop	Steel	Steel
14	Bolt	SS	Steel
15	Stem	SS316	SS316

### S40F/C40F Flanged Ball valve PN16-PN40 - DN 15 up to DN 200



Dimensions DN 15 up to DN 200 [mm]												
DN	15	20	25	32	40	50	65	80	100	125	150	200
d	14	20	24	32	38	48	62	75	97	118	144	194
W	145	145	180	180	275	275	380	380	440	440	610	610
H	64	66	85	90	118	126	140	144	195	212	265	320
L F1	130	150	160	180	200	230	290	310	350	-	-	-
L F4	115	120	125	130	140	150	170	180	190	-	-	-
L F5	-	-	-	-	-	-	-	-	-	325	350	400
L 150#	108	117	127	140	165	178	190	203	229	254	267	292
L 300#	140	152	165	178	191	216	241	283	305	381	403	419
PN16 [kg]	4	5	7	9	12	14	17	24	32	50	67	120
PN40 [kg]	4	5	7	9	12	14	20	30	44	60	85	145

## S40F/C40F Flanged Ball valve PN16-PN40 - DN 15 up to DN 200

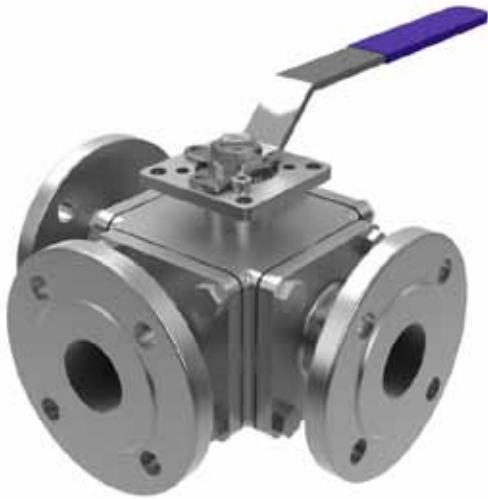


With double acting pneumatic actuator [mm]										
DN	DW	A	B	C	d	E	G	H	L	Weight [kg]
DN15 (1/2")	AP1D	137	87	60	14	20	41	150	115	4.4
DN20 (3/4")	AP1D	137	87	60	20	20	41	155	120	5.3
DN25 (1")	AP1D	137	87	60	24	20	41	159	125	6.4
DN32 (1 1/4")	AP2D	150	103	73	32	20	44.5	193	130	9.2
DN40 (1 1/2")	AP3D	204	120	85	38	20	49.5	213	140	12.5
DN50 (2")	AP3D	204	120	85	48	20	49.5	226	150	16
DN65 (2 1/2")	AP3,5D	230	130	98	62	20	53	251	170	24.9
DN80 (3")	AP4D	271	145	110	75	30	58	264	180	31.5
DN100 (4")	AP4D	271	145	110	97	30	58	279	190	50
DN125 (5")	AP5D	360	185	140	118	30	-	349	325	71
DN150 (6")	AP5D	360	185	140	144	30	-	376	350	98
DN200 (8")	AP6D	462	230	175	194	30	-	531	400	170

With single acting pneumatic actuator [mm]										
DN	EW	A	B	C	d	E	G	H	L	Weight [kg]
DN15 (1/2")	AP2S	150	103	73	14	20	44.5	166	115	5
DN20 (3/4")	AP3S	204	120	85	20	20	49.5	198	120	7
DN25 (1")	AP3S	204	120	85	24	20	49.5	202	125	8.1
DN32 (1 1/4")	AP3S	204	120	85	32	20	49.5	210	130	10.5
DN40 (1 1/2")	AP3,5S	230	130	98	38	20	53	223	140	14.4
DN50 (2")	AP3,5S	230	130	98	48	20	53	236	150	17.9
DN65 (2 1/2")	AP4S	271	145	110	62	30	58	256	170	27
DN80 (3")	AP5S	360	185	140	75	30	-	324	180	38.8
DN100 (4")	AP5S	360	185	140	97	30	-	267	190	57
DN125 (5")	AP5,5S	380	206	160	118	30	-	370	325	102
DN150 (6")	AP6S	462	230	175	144	30	-	421	350	111
DN200 (8")	AP8S	555	300	215	194	50	-	601	400	190

Pneumatic actuators are based on PTFE seat rings, minimum air pressure of 6 bar(g) and medium of clean water 20°C with at 6 bar pressure

## S316D SS316 3-way ball valve PN16 - DN 15 up to DN 100



### Description

- 3-way ball valve with flange connection PN16
- Full bore, L- or T-port
- Body, ball and stem SS316
- Mounting flange ISO 5211 for direct mounting pneumatic or electric actuators
- Seats and seals PTFE
- Pressure class PN16, flange RF DIN2501
- Blow-out proof stem, lockable lever
- Anti-static
- Temperature -30° C up to 200° C.
- DN 65, 80 and 100 Trunion Mounted.

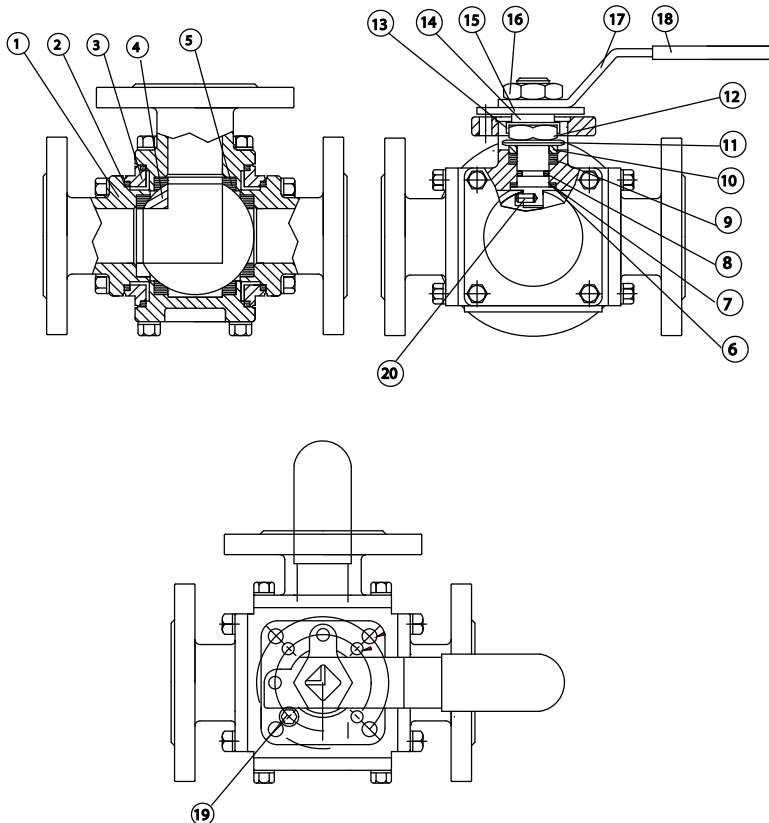
### Options:

- Automatic electric or pneumatic actuation
  - Stem extension
  - Endswitches
  - Spring return lever up to DN 50
  - 4-way version L-T-X or I port
- TFM seat rings  
Peek seat rings  
Integral seat rings

### Certificats:

- 3.1 Material certificate
- CE declaration

DN 15 t/m 50

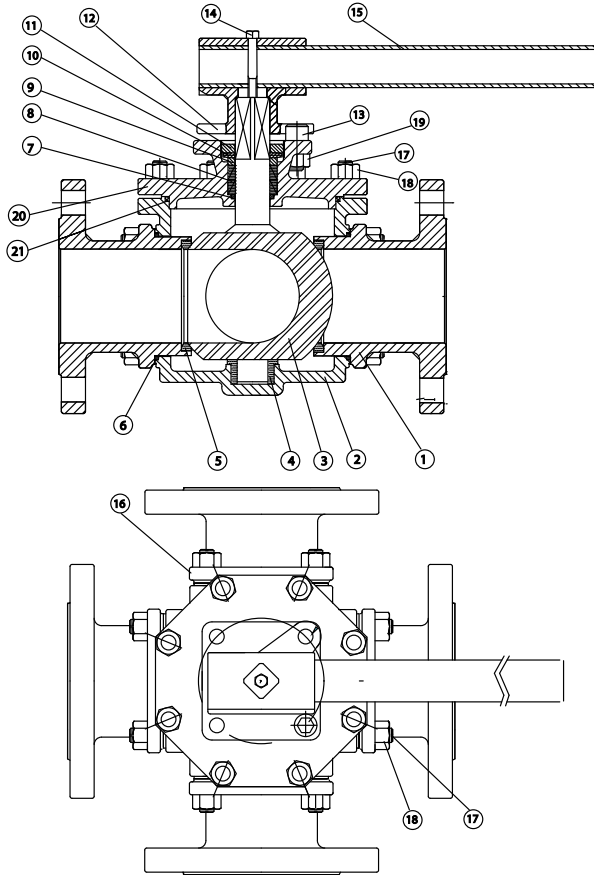


Item	Description	Material
1	Flange end	SS316
2	Packing	PTFE
3	Body	SS316
4	Ball	SS316
5	Seat	PTFE
6	Thrust washer	RPTFE
7	Stem	SS316
8	O-ring	Viton®
9	Stem seal	PTFE
10	Gland	SS
11	Spring disc	SS
12	Nut	SS
13	Locking ring	SS
14	Distance ring	SS
15	Locking plate	SS
16	Nut	SS
17	Lever	SS
18	Grip	PVC
19	Stop pin	SS
20	Ball + spring	SS316



### S316D SS316 3-way ball valve PN16 - DN 15 up to DN 100

DN 65-80-100

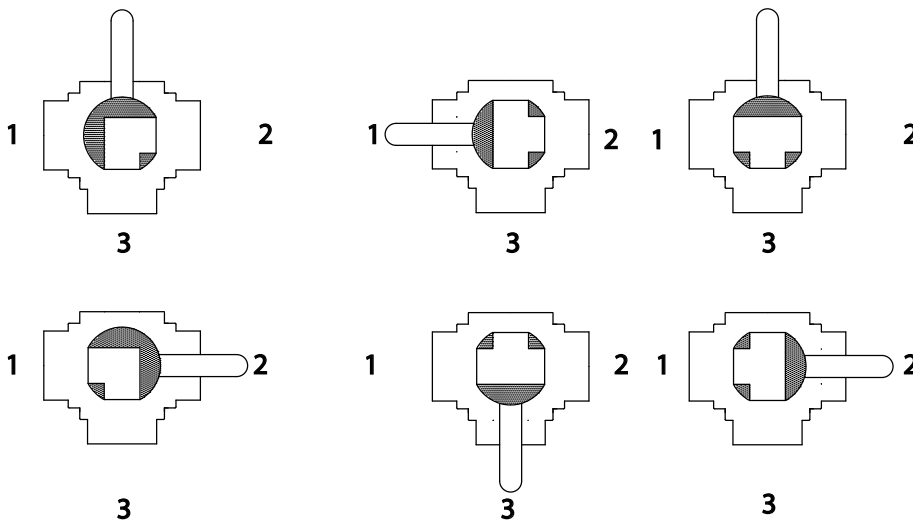


Item	Description	Material
1	Flange end	SS316
2	Body	SS316
3	Ball and stem	SS316
4	Bushing	PTFE+SS
5	Seat	PTFE
6	Seal	PTFE
7	O-ring	Viton®
8	Stem seal	PTFE
9	Gland	SS
10	Spring disc	SS
11	Stop plate	SS
12	Lever head	SS
13	Stop pin	SS
14	Bolt	SS
15	Lever	Steel
16	Cover	SS316
17	Bolt	SS
18	Nut	SS
19	Stop pin nut	SS
20	Cover	SS316
21	Seal	PTFE

#### Positions possibilities Ball L- and T Port

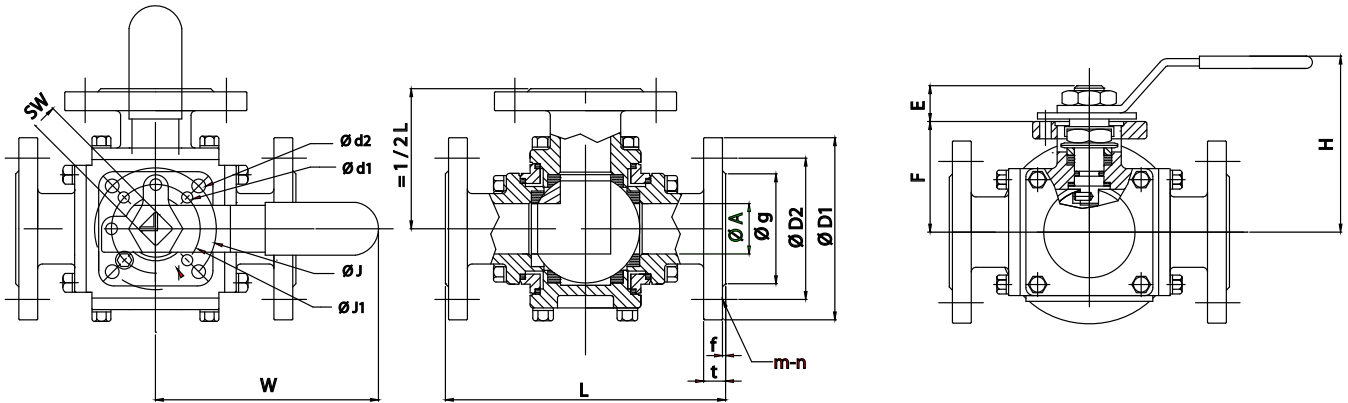
L - PORT 90° TURN

T - PORT 90° TURN

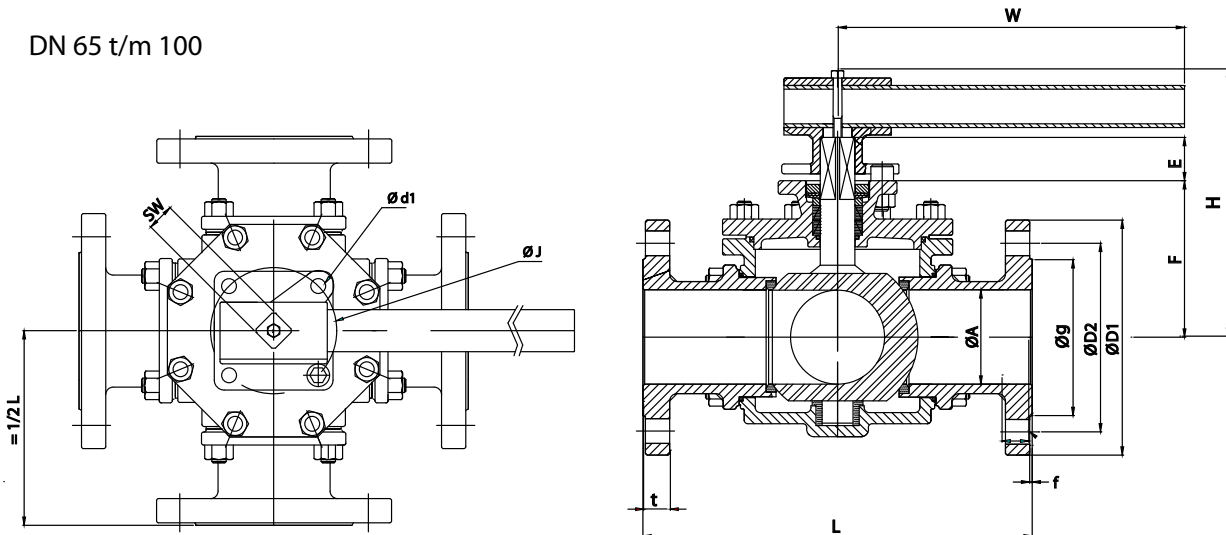


## S316D SS316 3-way ball valve PN16 - DN 15 up to DN 100

DN 15 t/m 50



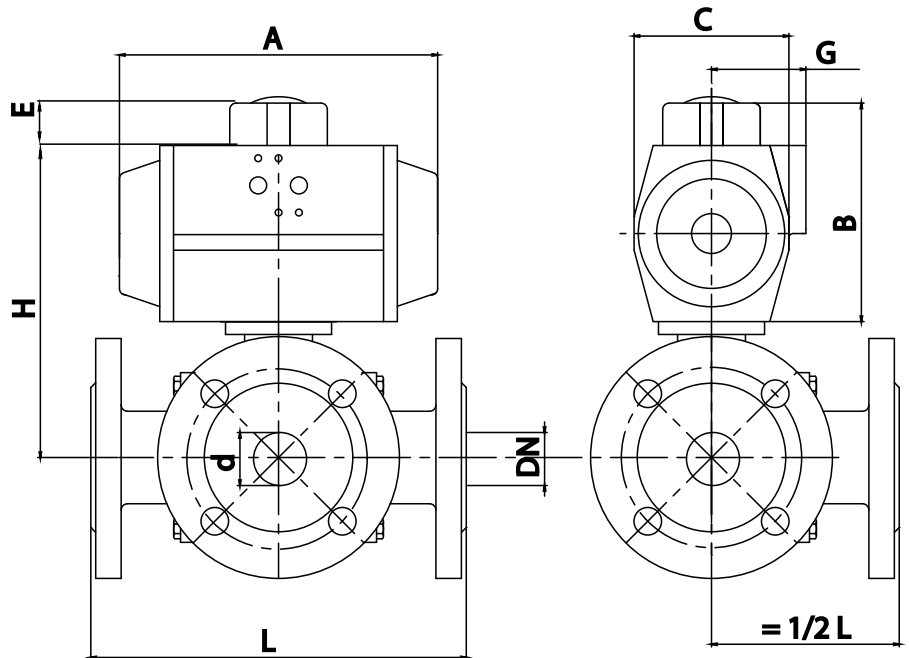
DN 65 t/m 100



Dimensions 1/4" up to 2" [mm]									
DN	15	20	25	32	40	50	65	80	100
A	15	20	25	32	38	50	62	76	96
L	160	177	190	208	234	273	300	305	368.5
H	62	82	89	98	108	140	200	218	230
W	130	165	165	205	205	325	400	500	650
F	41	49	55	63	74	93	118.5	136.5	156.5
E	11	14	14	18	18	23	25	25	25
J	42	50	50	70	70	102	102	102	102
J1	36	42	42	50	50	70	-	-	-
d1	6.0	6.0	6.0	7.1	7.1	9.2	11	11	11
d2	6.0	7.1	7.1	9.2	9.2	11.4	-	-	-
SW	9	11	11	14	14	17	22	22	22
g	45	58	68	78	88	102	122	138	158
D1	95	105	115	140	150	165	185	200	220
D2	65	75	85	100	110	125	145	160	180
f-t	2-14	2-16	2-16	2-16	3-16	3-18	3-18	3-20	3-20
Weight [kg]	4.36	5.62	7.2	10.54	14.52	23.52	28.1	36.58	60.3



## S316D SS316 3-way ball valve PN16 - DN 15 up to DN 100



With double acting pneumatic actuator [mm]										
DN (d)	DW	A	B	C	E	d	G	H	L	Weight [kg]
DN15 (1/2")	AP1D	142	67	60	20	15	41	88	160	5.2
DN20 (3/4")	AP2D	155	83	73	20	20	44.5	112	177	6.8
DN25 (1")	AP3D	213	100	85	20	25	49.5	135	190	9.7
DN32 (1 1/4")	AP3D	213	100	85	20	32	49.5	143	208	13.1
DN40 (1 1/2")	AP3D	213	100	85	20	38	49.5	154	234	16.9
DN50 (2")	AP3.5D	236	110	98	20	50	53	183	273	27.4
DN65 (2 1/2")	AP4.5D	310	142	128	30	62	69	230.5	300	35.7
DN80 (3")	AP4.5D	310	142	128	30	76	69	248.5	305	47.1
DN100 (4")	AP5D	366	155	140	30	96	-	281.5	368.5	69.5

With single acting pneumatic actuator [mm]										
DN (d)	EW	A	B	C	E	d	G	H	L	Weight [kg]
DN15 (1/2")	AP2S	155	83	73	20	15	44.5	104	160	5.8
DN20 (3/4")	AP3S	213	100	85	20	20	49.5	129	177	8.5
DN25 (1")	AP3S	213	100	85	20	25	49.5	135	190	10.1
DN32 (1 1/4")	AP3.5S	236	110	98	20	32	53	153	208	14.9
DN40 (1 1/2")	AP4S	273	125	110	30	38	58	169	234	20.3
DN50 (2")	AP4.5S	310	142	128	30	50	69	205	273	33.1
DN65 (2 1/2")	AP5.5S	388	176	160	30	62	-	324.5 (B)	300	45.6
DN80 (3")	AP5.5S	388	176	160	30	76	-	342.5 (B)	305	57.2
DN100 (4")	AP6S	468	200	175	30	96	-	386.5 (B)	368.5	83.5

Pneumatic actuators are based on PTFE seat rings, minimum air pressure of 6 bar(g) and medium of clean water 20°C with at 6 bar pressure

\* (B)= mounting with bracket

## S316F SS316 3-way ball valve PN16 - DN 125 up to DN 200



### Description

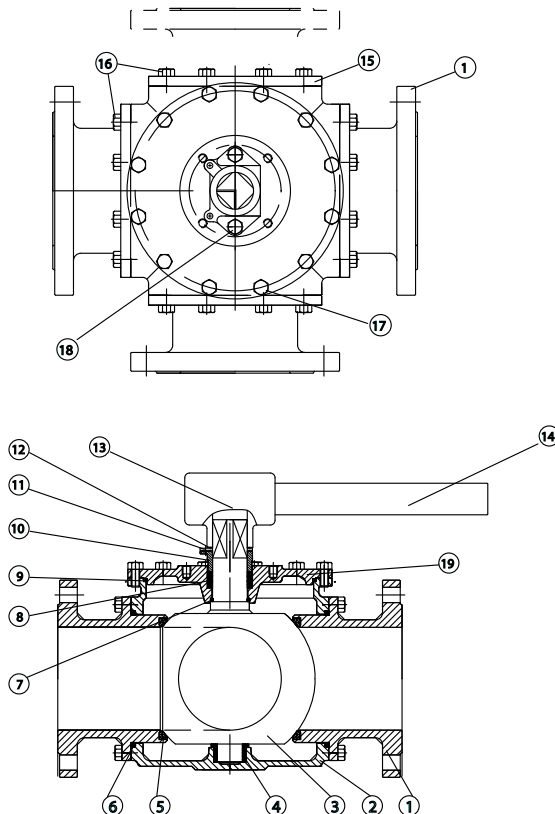
- 3-way ball valve with flange connection PN16
- Full bore, L- or T-port
- Body, ball and stem SS316
- ISO 5211 pattern for mounting pneumatic or electric actuators
- Seats and seals PTFE
- Pressure class PN16, flange RF DIN2501
- Blow-out proof stem, lockable lever
- Maximum working pressure 16 barg
- Temperature -30° C up to 200° C.
- Trunnion mounted ball

### Options:

- Automatic electric or pneumatic actuation
  - Stem extension
  - Endswitches
  - Integral seats
  - 4-way version L-T-X or I port
- TFM seats  
Peek seats  
Carbon steel body

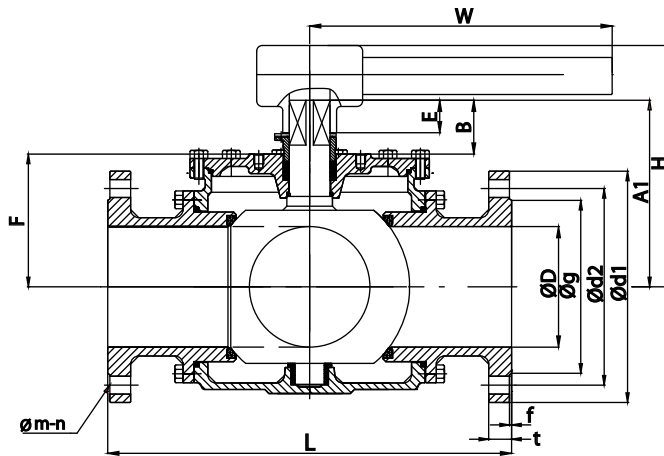
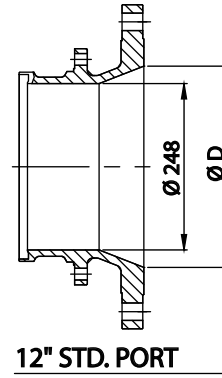
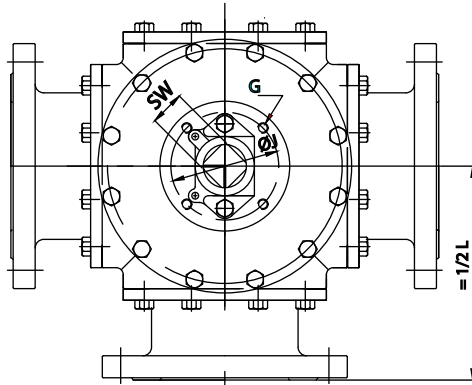
### Certificats:

- 3.1 Material certificate
- CE declaration



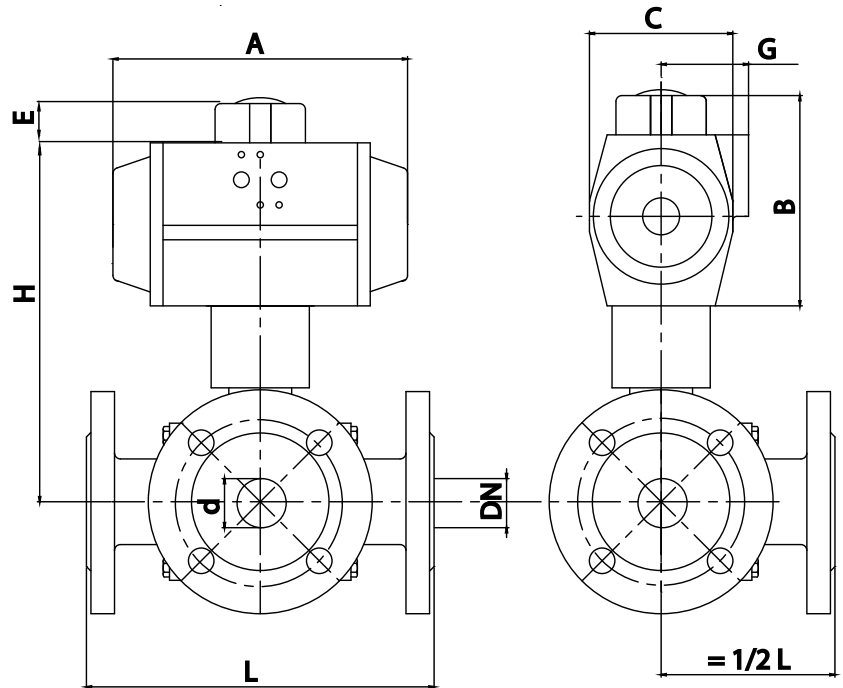
Item	Description	Material
1	Flange end	SS316
2	Body	SS316
3	Ball with stem	SS316
4	Bushing	PTFE+SS316
5	Seat	PTFE
6	Body seal	RPTFE
7	O-ring	Viton®
8	Stem seal	PTFE
9	Packing	PTFE
10	Gland	SS
11	Packing cover	SS
12	Stop plate	SS
13	Lever head	Steel
14	Lever	Steel
15	Cover	SS316
16	Bolt	SS
17	Bolt	SS
18	Bolt	SS
19	Top cover	SS316

### S316F SS316 3-way ball valve PN16 - DN 125 up to DN 200



Dimensions DN 125-150-200-250 [mm]				
DN	125	150	200	250
D	125	150	200	248
L	418	427	532	660
H	255	294	335	408
W	860	1200	1500	2000
F	140.5	159.5	201	252
E	36	36	36	59
J	125	125	125	140
G	M12	M12	M12	M16
d1	250	285	340	405
d2	210	240	295	355
SW	28	36	36	36
g	188	212	268	320
B	59	62	62	93
A1	198.5	222	263	345
f-t	3-22	3-22	3-22	3-22
Weight [kg]	69	136	235	320

## S316F SS316 3-way ball valve PN16 - DN 125 up to DN 200



With double acting pneumatic actuator [mm]										
DN	DW	A	B	C	d	E	G	H	L	Weight [kg]
DN125	AP6D	468	230	175	125	30	-	440	418	96
DN150	AP8D	563	300	215	150	50	-	510	427	163
DN200	AP10D	750	385	290	200	50	-	636	532	261

With single acting pneumatic actuator [mm]										
DN	EW	A	B	C	d	E	G	H	L	Weight [kg]
DN125	AP10S	750	385	290	125	50	-	490	418	202
DN150	AP10S	750	385	290	150	50	-	595	427	270
DN200	O.A.				200				532	

Pneumatic actuators are based on PTFE seat rings, minimum air pressure of 6 bar(g) and medium of clean water 20°C with at 6 bar pressure