

VTB Ball Valves



VTB valves by vapo

Table of contents

Adress	2
A25 Brass 2-way ball valve - 1/4" up to 4"	3
A35 Brass 3-way ball valve - 1/2" up to 2"	7
S02D SS316 2-piece ball valve - 1/4" up to 4"	11
S57D 3-way SS316 ball valve - 1/2" up to 2"	17
S350D 3-way SS316 ball valve - DN 15 up to DN 50	23
S13D SS316 3-piece ball valve - 1/2" up to 4"	29
S33D SS316 3-piece ball valve - 1/2" up to 2"	35
S15D SS316 wafer type ball valve PN16 - DN 15 up to DN 100	40
S15F SS316 wafer type ball valve PN16 - DN 125-150-200	46
S216D/C216D flanged ball valve PN16-PN40 - DN 15 up to DN 100	49
S316D SS316 3-way ball valve PN16 - DN 15 up to DN 100	55
S316F SS316 3-way ball valve PN16 - DN 125 up to DN 200	62

TRADEMARKS

Following brand names are Dupont registered trademarks:

- Kalrez®
- Viton®
- Teflon®
- Hypalon®
- BUNA-N®
- Chrevron®

DISCLAIMER

Vapo Techniek BV has done its utmost to ensure that all data in this documentation is correct. However, Vapo Techniek BV accepts no responsibility caused by mistakes in this documentation..

A25 brass 2-way ball valve - 1/4" up to 4"



Description

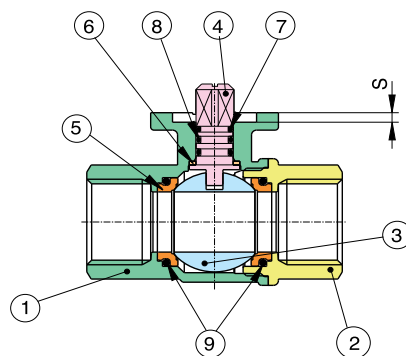
- 2-way ball valve BSP female threaded
- Full bore
- Body and ball Brass chromium plated, stem Brass nickel plated
- Mounting flange ISO 5211 for direct mounting pneumatic or electric actuators
- Seats PTFE
- O-rings Viton®
- Working pressure maximum 40 Barg
- Temperature -20 to 160° C.
- Suitable for vacuum
- Not available with manual lever

Options:

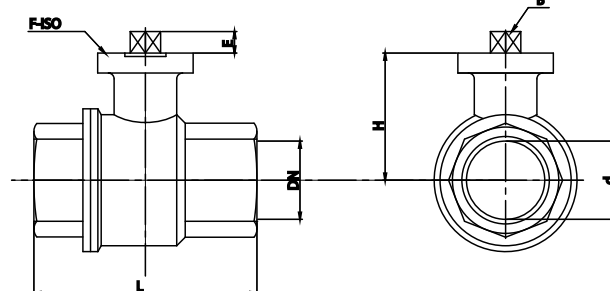
- Automatic electric or pneumatic actuation
- Atex version
- Spring return lever

Certificats:

- 2.2 Material certificate
- CE declaration

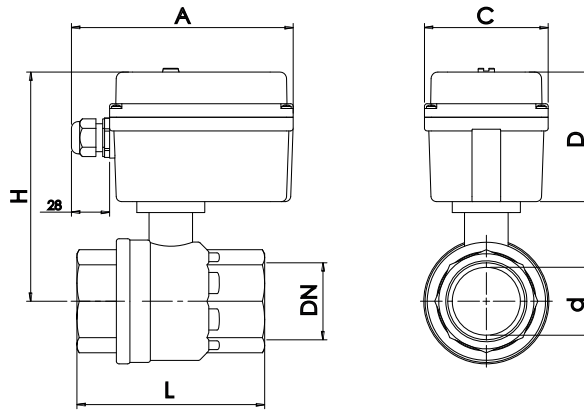


Item	Description	Material
1	Body	Brass chromium plated
2	End cap	Brass chromium plated
3	Ball	Brass chromium plated
4	Stem	Brass nickel plated
5	Seat	PTFE
6	Thrust washer	PTFE
7	Stem seal	PTFE
8	O-ring	Viton®
9	O-ring	Viton®



Dimensions 1/4" up to 4" [mm]											
Ø	1/4"	3/8"	1/2"	3/4"	1"	1 1/4"	1 1/2"	2"	2 1/2"	3"	4"
DN	8	10	15	20	25	32	40	50	65	80	100
L	67	67	67	76	90	102	114	138	165	188	225
Square B	9	9	9	9	9	9	11	11	14	14	17
ØF-ISO	36	36	36	36	36	36	50	50	70	70	70
H	33	33	33	35	45.5	49	64	73.25	87	98	119.5
E	9	9	9	9	9	9	11	11	15	15	17.5
Work. pres max.	40 Barg								25 Barg	16 Barg	
Weight [kg]	0,37	0,35	0,31	0,40	0,75	1,05	1,73	2,98	4,20	6,28	10,25

A25 brass 2-way ball valve - 1/4" up to 4"

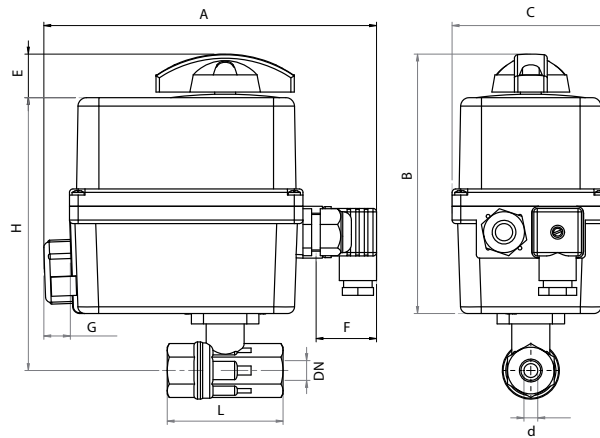


BEB

Indice de protection **IP65** Enclosure
Facteur de marche **50%** Duty rating

Electric actuators are used to open and close a tube.

With electric actuator type BEBF07000- BEBF080000 [mm]					IP65, duty rating 50% (IEC34), Temperature -10 to +55 °C							
DN (d)	230V 50Hz	90° runtime	24V AC/DC 12V/DC	90° runtime	Nm	Watt	A	C	D	H	L	Weight [kg]
DN8 (1/4")	BEBF070000	50 s.	BEBF080000	20 s.	20	15	164	92	98.5	136	67	1,2
DN10 (3/8")	BEBF070000	50 s.	BEBF080000	20 s.	20	15	164	92	98.5	136	67	1,2
DN15 (1/2")	BEBF070000	50 s.	BEBF080000	20 s.	20	15	164	92	98.5	136	67	1,2
DN20 (3/4")	BEBF070000	50 s.	BEBF080000	20 s.	20	15	164	92	98.5	138	76	1,2
DN25 (1")	BEBF070000	50 s.	BEBF080000	20 s.	20	15	164	92	98.5	148	90	1,6
DN32 (1 1/4")	BEBF070000	50 s.	BEBF080000	20 s.	20	15	164	92	98.5	149	102	1,9
DN40 (1 1/2")	BEBF070000	50 s.	BEBF080000	20 s.	20	15	164	92	98.5	167	114	2,6
DN50 (2")	BEBF070000	50 s.	BEBF080000	20 s.	20	15	164	92	98.5	176	138	3,8



ER PREMIER

Indice de protection **IP65** Enclosure
Facteur de marche **30%** Duty rating
SECURED MANUAL OVERRIDE

Standard 2 potential free contacts to make a signal to see if valve has reached the open-or closed position.

With electric actuator type ER Premier [mm]					IP65, duty rating 30% (IEC34), Temperature -10 to +55 °C										
DN (d)	100V to 240V 50-60 Hz (100 to 350 V/DC)	90° runtime	24V 50/60Hz (24V/DC)	90° runtime	Nm	Watt	A	B	C	E	F	G	H	L	Weight [kg]
DN8 (1/4")	ER20.X0A.M00	13 s.	ER20.X03.M00	13 s.	20	15	194	152	92	28	42	16	157	67	1,7
DN10 (3/8")	ER20.X0A.M00	13 s.	ER20.X03.M00	13 s.	20	15	194	152	92	28	42	16	157	67	1,7
DN15 (1/2")	ER20.X0A.M00	13 s.	ER20.X03.M00	13 s.	20	15	194	152	92	28	42	16	157	67	1,7
DN20 (3/4")	ER20.X0A.M00	13 s.	ER20.X03.M00	13 s.	20	15	194	152	92	28	42	16	159	76	1,7
DN25 (1")	ER20.X0A.M00	13 s.	ER20.X03.M00	13 s.	20	15	194	152	92	28	42	16	170	90	2,1
DN32 (1 1/4")	ER20.X0A.M00	13 s.	ER20.X03.M00	13 s.	20	15	194	152	92	28	42	16	173	102	2,4
DN40 (1 1/2")	ER20.X0A.M00	13 s.	ER20.X03.M00	13 s.	20	15	194	152	92	28	42	16	188	114	3,1
DN50 (2")	ER20.X0A.M00	13 s.	ER20.X03.M00	13 s.	20	15	194	152	92	28	42	16	198	138	4,3
DN65 (2 1/2")	ER35.90A.M00	8 s.	ER35.903.M00	8 s.	35	45	209	176	128	24	42	16	239	157	6,7
DN80 (3")	ER35.90A.M00	8 s.	ER35.903.M00	8 s.	35	45	209	176	128	24	42	16	250	188	8,8
DN100 (4")	ER60.90A.M00	15 s.	ER60.903.M00	15 s.	60	45	209	176	128	24	42	16	272	225	12,8

A25 brass 2-way ball valve - 1/4'' up to 4''

ER PLUS



ER plus has extra, standard: anti-condensation heater, torque limiter by software and an motor failure feedback relay.

With electric actuator type ER Plus [mm]

IP66, duty rating S4 50% (IEC34), Temperature -10 to +55 °C

DN (d)	100V to 240V 50-60 Hz (100 to 350 V/DC)	90° runtime	15 to 30V 50/60Hz (12 to 48V/DC)	90° runtime	Nm	Watt	A	B	C	E	F	G	H	L	Weight [kg]
DN8 (1/4")	ER10.X0A.G00	11 s.	ER10.X0B.G00	11 s.	10	15	194	148	92	24	42	16	157	67	1,7
DN10 (3/8")	ER10.X0A.G00	11 s.	ER10.X0B.G00	11 s.	10	15	194	148	92	24	42	16	157	67	1,7
DN15 (1/2")	ER10.X0A.G00	11 s.	ER10.X0B.G00	11 s.	10	15	194	148	92	24	42	16	157	67	1,7
DN20 (3/4")	ER10.X0A.G00	11 s.	ER10.X0B.G00	11 s.	10	15	194	148	92	24	42	16	159	76	1,7
DN25 (1")	ER10.X0A.G00	11 s.	ER10.X0B.G00	11 s.	10	15	194	148	92	24	42	16	170	90	2,1
DN32 (1 1/4")	ER10.X0A.G00	11 s.	ER10.X0B.G00	11 s.	10	15	194	148	92	24	42	16	173	102	2,4
DN40 (1 1/2")	ER20.X0A.G00	12 s.	ER20.X0B.G00	12 s.	20	15	194	148	92	24	42	16	188	114	3,1
DN50 (2")	ER20.X0A.G00	12 s.	ER20.X0B.G00	12 s.	20	15	194	148	92	24	42	16	198	138	4,3
DN65 (2 1/2")	ER35.X0A.G00	26 s.	ER35.X0B.G00	24 s.	35	15	194	148	92	24	42	16	211	157	5,5
	ER35.93A.G00	40 s.	ER35.93B.G00	41 s.	35	45	209	176	128	24	42	16	238		6,7
DN80 (3")	ER35.X0A.G00	26 s.	ER35.X0B.G00	24 s.	35	15	209	176	128	24	42	16	222	188	7,6
	ER35.93A.G00	40 s.	ER35.93B.G00	41 s.	35	45	209	176	128	24	42	16	251		8,8
DN100 (4")	ER60.90A.G00	12 s.	ER60.90B.G00	12 s.	60	45	209	176	128	24	42	16	272	225	12,8
	ER60.93A.G00	79 s.	ER60.93B.G00	79 s.	60	45	209	176	128	24	42	16	272		12,8

ER



With the Posi actuator you can make a simple control valve. It has the same functionality as the ER plus, with as extra a control function with which you can put the valve in every position wanted. The required controlsignal is 4-20 mA, 0-20 mA or 0-10 Volt.

With electric actuator type ER Plus [mm]

IP66, duty rating S4 50% (IEC34), Temperature -10 to +55 °C

DN (d)	100V to 240V 50-60 Hz (100 to 350 V/DC)	90° runtime	15 to 30V 50/60Hz (12 to 48V/DC)	90° runtime	Nm	Watt	A	B	C	E	F	G	H	L	Weight [kg]
DN8 (1/4")	ER20.X3A.GP6	25 s.	ER20.X3B.GP6	25 s.	20	15	194	148	92	24	42	16	157	67	1,7
DN10 (3/8")	ER20.X3A.GP6	25 s.	ER20.X3B.GP6	25 s.	20	15	194	148	92	24	42	16	157	67	1,7
DN15 (1/2")	ER20.X3A.GP6	25 s.	ER20.X3B.GP6	25 s.	20	15	194	148	92	24	42	16	157	67	1,7
DN20 (3/4")	ER20.X3A.GP6	25 s.	ER20.X3B.GP6	25 s.	20	15	194	148	92	24	42	16	157	76	1,7
DN25 (1")	ER20.X3A.GP6	25 s.	ER20.X3B.GP6	25 s.	20	15	194	148	92	24	42	16	157	90	2,1
DN32 (1 1/4")	ER20.X3A.GP6	25 s.	ER20.X3B.GP6	25 s.	20	15	194	148	92	24	42	16	157	102	2,4
DN40 (1 1/2")	ER35.93A.GP6	40 s.	ER35.93B.GP6	41 s.	35	45	209	176	128	24	42	16	216	114	4,3
DN50 (2")	ER35.93A.GP6	40 s.	ER35.93B.GP6	41 s.	35	45	209	176	128	24	42	16	226	138	5,5
DN65 (2 1/2")	ER60.93A.GP6	79 s.	ER60.93B.GP6	79 s.	60	45	209	176	128	24	42	16	239	157	6,7
DN80 (3")	ER60.93A.GP6	79 s.	ER60.93B.GP6	79 s.	60	45	209	176	128	24	42	16	250	188	8,8
DN100 (4")	ER100.93A.GP6	119 s.	ER100.93B.GP6	119 s.	100	45	209	176	128	24	42	16	272	225	12,8

ER



Has the same functionality like ER Plus, with an addition of an failsafe function to let the valve turn to a safety position in case of power failure. Therefore there is build inside the actuator an batterypack.

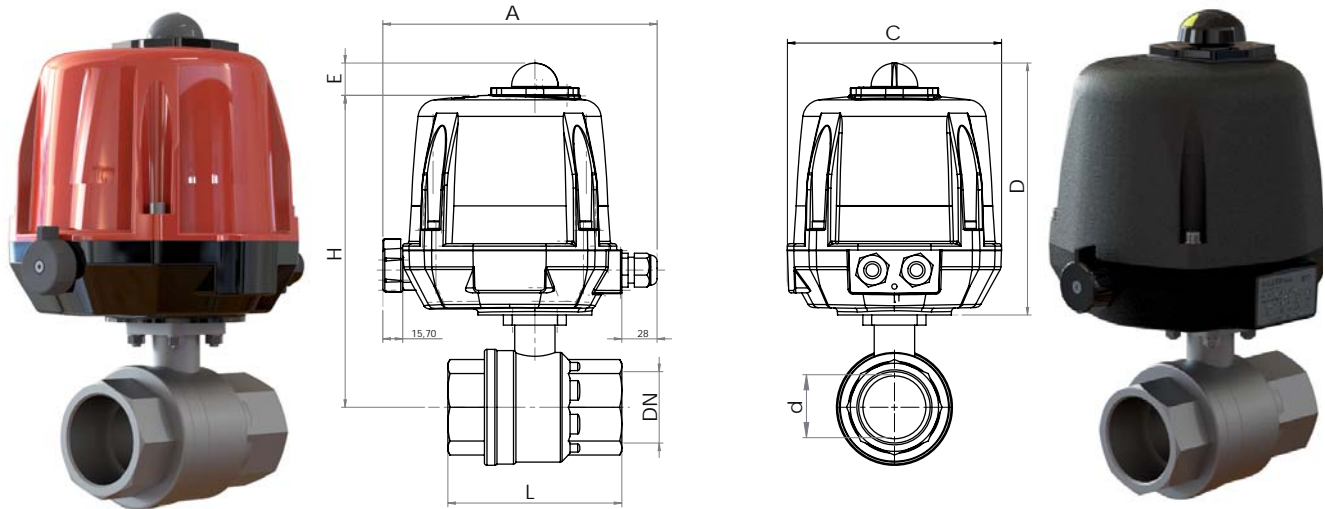
With electric actuator type ER Plus [mm]

IP66, duty rating S4 50% (IEC34), Temperature -10 to +40 °C

DN (d)	100V to 240V 50-60 Hz (100 to 350 V/DC)	90° runtime	15 to 30V 50/60Hz (12 to 48V/DC)	90° runtime	Nm	Watt	A	B	C	E	F	G	H	L	Weight [kg]
DN8 (1/4")	ER10.X0A.GS2	11 s.	ER10.X0B.GS2	11 s.	10	15	194	148	92	24	42	16	157	67	1,7
DN10 (3/8")	ER10.X0A.GS2	11 s.	ER10.X0B.GS2	11 s.	10	15	194	148	92	24	42	16	157	67	1,7
DN15 (1/2")	ER10.X0A.GS2	11 s.	ER10.X0B.GS2	11 s.	10	15	194	148	92	24	42	16	157	67	1,7
DN20 (3/4")	ER10.X0A.GS2	11 s.	ER10.X0B.GS2	11 s.	10	15	194	148	92	24	42	16	159	76	1,7
DN25 (1")	ER10.X0A.GS2	11 s.	ER10.X0B.GS2	11 s.	10	15	194	148	92	24	42	16	170	90	2,1
DN32 (1 1/4")	ER10.X0A.GS2	11 s.	ER10.X0B.GS2	11 s.	10	15	194	148	92	24	42	16	173	102	2,4
DN40 (1 1/2")	ER20.X0A.GS2	12 s.	ER20.X0B.GS2	12 s.	20	15	194	148	92	24	42	16	188	114	3,1
DN50 (2")	ER20.X0A.GS2	12 s.	ER20.X0B.GS2	12 s.	20	15	194	148	92	24	42	16	198	138	4,3
DN65 (2 1/2")	ER35.90A.GS2	7 s.	ER35.90B.GS2	7 s.	35	45	209	176	128	24	42	16	211	157	6,7
	ER35.93A.GS2	40 s.	ER35.93B.GS2	41 s.	35	45	209	176	128	24	42	16	238		6,7
DN80 (3")	ER35.90A.GS2	7 s.	ER35.90B.GS2	7 s.	35	45	209	176	128	24	42	16	222	188	8,8
	ER35.93A.GS2	40 s.	ER35.93B.GS2	41 s.	35	45	209	176	128	24	42	16	251		8,8
DN100 (4")	ER60.90A.GS2	12 s.	ER60.90B.GS2	12 s.	60	45	209	176	128	24	42	16	272	225	12,8
	ER60.93A.GS2	79 s.	ER35.60B.GS2	79 s.	60	45	209	176	128	24	42	16	272		12,8

A25 brass 2-way ball valve - 1/4'' up to 4''

VR



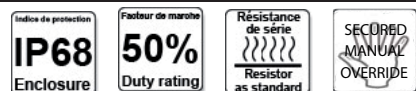
VR



With electric actuator type VR [mm]				IP68, duty rating 50% (IEC34), Temperature -20 to +70 °C												
DN (d)	100V to 240V 50-60 Hz (100 to 350 V/DC)	15 to 30V 50/60Hz (12 to 48V/DC)	90° runtime	Watt	400 V 3 phase	90° runtime	Watt	Nm	A	C	D	E	H	L	Weight [kg]	
DN8 (1/4")	VR25.70A.G00	VR25.70B.G00	7 s.	45	VR25.709.R00	10 s.	20	25	225	170	201	24	260*	67	6,7	
DN10 (3/8")	VR25.70A.G00	VR25.70B.G00	7 s.	45	VR25.709.R00	10 s.	20	25	225	170	201	24	260*	67	6,7	
DN15 (1/2")	VR25.70A.G00	VR25.70B.G00	7 s.	45	VR25.709.R00	10 s.	20	25	225	170	201	24	260*	67	6,7	
DN20 (3/4")	VR25.70A.G00	VR25.70B.G00	7 s.	45	VR25.709.R00	10 s.	20	25	225	170	201	24	262*	76	6,7	
DN25 (1")	VR25.70A.G00	VR25.70B.G00	7 s.	45	VR25.709.R00	10 s.	20	25	225	170	201	24	273*	90	6,8	
DN32 (1 1/4")	VR25.70A.G00	VR25.70B.G00	7 s.	45	VR25.709.R00	10 s.	20	25	225	170	201	24	276*	102	7,4	
DN40 (1 1/2")	VR25.70A.G00	VR25.70B.G00	7 s.	45	VR25.709.R00	10 s.	20	25	225	170	201	24	241	114	8	
DN50 (2")	VR25.70A.G00	VR25.70B.G00	7 s.	45	VR25.709.R00	10 s.	20	25	225	170	201	24	251	138	9,3	
DN65 (2 1/2")	VR45.70A.G00	VR45.70B.G00	15 s.	45	VR45.709.R00	10 s.	52	45	225	170	201	24	264	157	10,5	
DN80 (3")	VR45.70A.G00	VR45.70B.G00	15 s.	45	VR45.709.R00	10 s.	52	45	225	170	201	24	275	188	9,6	
DN100 (4")	VR75.70A.G00	VR75.70B.G00	20 s.	45	VR75.709.R00	15 s.	52	75	225	170	201	24	297	225	13,5	

on request also with 80% duty rating possible (only VR)

VRX



With electric actuator type VRX [mm]				ATEX-II 2 GD Ex d IIB T6, IP68, duty rating 50%(IEC34), Temperature -20 to +70 °C												
DN (d)	100V to 240V 50-60 Hz (100 to 350 V/DC)	15 to 30V 50/60Hz (12 to 48V/DC)	90° runtime	Watt	400 V 3 phase	90° runtime	Watt	Nm	A	C	D	E	H	L	Weight [kg]	
DN8 (1/4")	VRX25.70A.G00	VRX25.70B.G00	7 s.	45	VRX25.709.R00	10 s.	20	25	225	170	201	24	260*	67	6,7	
DN10 (3/8")	VRX25.70A.G00	VRX25.70B.G00	7 s.	45	VRX25.709.R00	10 s.	20	25	225	170	201	24	260*	67	6,7	
DN15 (1/2")	VRX25.70A.G00	VRX25.70B.G00	7 s.	45	VRX25.709.R00	10 s.	20	25	225	170	201	24	260*	67	6,7	
DN20 (3/4")	VRX25.70A.G00	VRX25.70B.G00	7 s.	45	VRX25.709.R00	10 s.	20	25	225	170	201	24	262*	76	6,7	
DN25 (1")	VRX25.70A.G00	VRX25.70B.G00	7 s.	45	VRX25.709.R00	10 s.	20	25	225	170	201	24	273*	90	6,8	
DN32 (1 1/4")	VRX25.70A.G00	VRX25.70B.G00	7 s.	45	VRX25.709.R00	10 s.	20	25	225	170	201	24	276*	102	7,4	
DN40 (1 1/2")	VRX25.70A.G00	VRX25.70B.G00	7 s.	45	VRX25.709.R00	10 s.	20	25	225	170	201	24	241	114	8	
DN50 (2")	VRX25.70A.G00	VRX25.70B.G00	7 s.	45	VRX25.709.R00	10 s.	20	25	225	170	201	24	251	138	9,3	
DN65 (2 1/2")	VRX45.70A.G00	VRX45.70B.G00	15 s.	45	VRX45.709.R00	10 s.	52	45	225	170	201	24	264	157	10,5	
DN80 (3")	VRX45.70A.G00	VRX45.70B.G00	15 s.	45	VRX45.709.R00	10 s.	52	45	225	170	201	24	275	188	9,6	
DN100 (4")	VRX75.70A.G00	VRX75.70B.G00	20 s.	45	VRX75.709.R00	15 s.	52	75	225	170	201	24	297	225	13,5	

*= with 50 mm bracket and adapter in SS

A35 brass 3-way ball valve - 1/2" up to 2"



Description

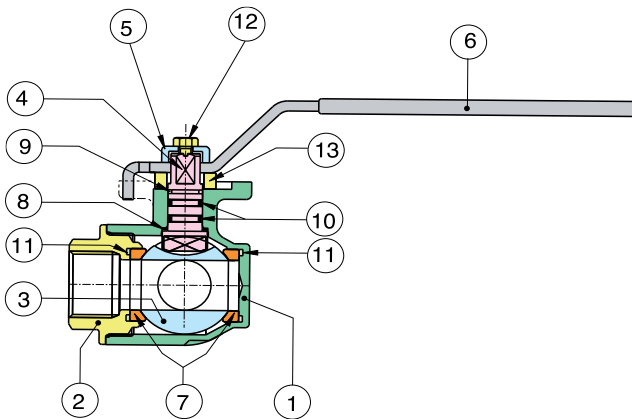
- 3-way ball valve with BSP female threaded
- Full bore, L or T port
- Body brass chromium plated, ball and stem brass nickelplated
- Mounting flange ISO 5211 for direct mounting pneumatic or electric actuators
- Seats PTFE
- O-rings Viton®
- Workpressure: up to 3/4" max. 30 barg, 1" max. 16 barg, 1 1/4 up to 2" max. 10 barg
- Temperature -20° to 160°C.
- Suitable for Vacuum
- Also available with lever

Options:

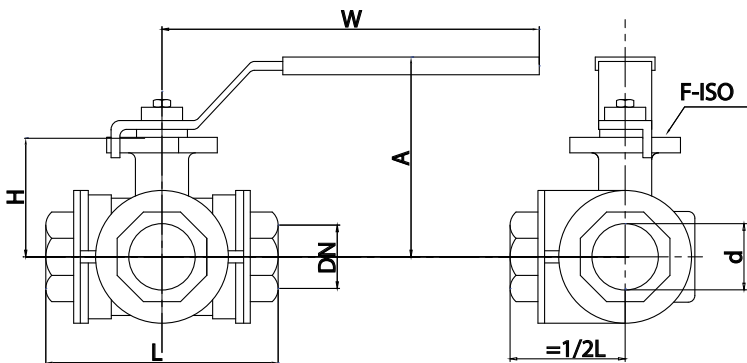
- Automatic electric or pneumatic actuation
- Spring return lever

Certificats:

- 2.2 Material certificate
- CE declaration

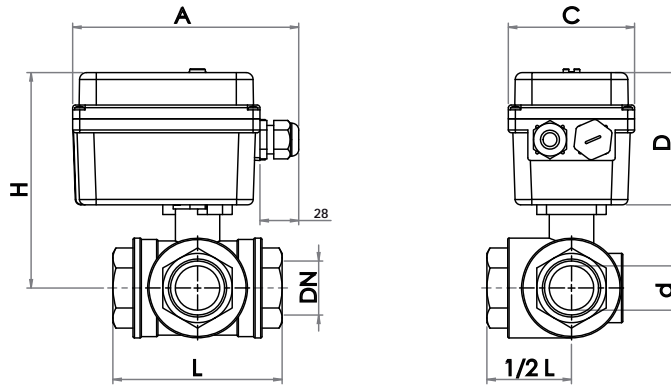


Item	Description	Material
1	Body	Brass chromium plated
2	End cap	Brass chromium plated
3	Ball	Brass nickel plated
4	Stem	Brass nickel plated
5	Disc	Brass nickel plated
6	Lever	Steel
7	Seat	PTFE
8	Thrust washer	PTFE
9	Stem seal	PTFE
10	O-ring	Viton®
11	O-ring	Viton®
12	Bolt	Steel
13	Ring	Steel



Dimension 1/4" up to 2" [mm]								
Ød	1/4"	3/8"	1/2"	3/4"	1"	1 1/4"	1 1/2"	2"
DN	8	10	15	20	25	32	40	50
L	67	67	77	87	105	122.5	138.5	166
ØF-ISO	36	36	36	50	50	50	70	70
A	62	62	64	75	80.5	93	111	122
H	30,5	30,5	32,5	41,5	47	59,5	74	85
W	120	120	120	170	170	170	230	230
Weight [kg]	0.55	0.52	0.65	1.10	1.83	2.75	4.57	8.37

A35 brass 3-way ball valve - 1/2'' up to 2''



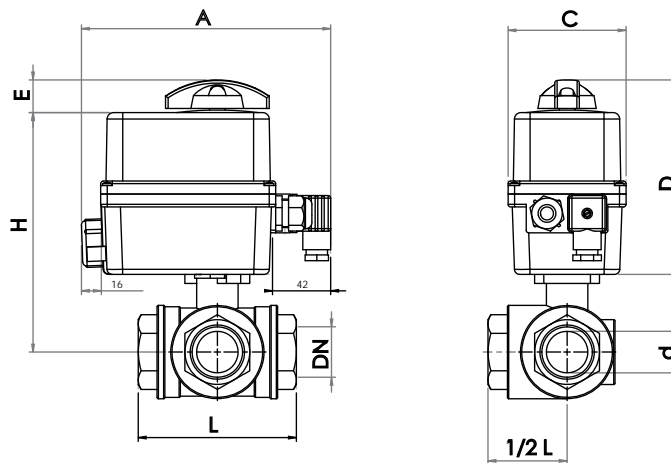
BEBF

Indice de protection
IP65
Enclosure

Facteur de marche
50%
Duty rating

Electric actuators are used to open and close a tube.

With electric actuator type BEBF07000- BEBF080000 [mm]					IP65, duty rating 50% (IEC34), Temperature -10 to +55 °C							
DN (d)	230V 50Hz	90° runtime	24V AC/DC 12V/DC	90° runtime	Nm	Watt	A	C	D	H	L	Weight [kg]
DN8 (1/4")	BEBF070000	50 s.	BEBF080000	20 s.	20	15	164	92	99	146	67	1,5
DN10 (3/8")	BEBF070000	50 s.	BEBF080000	20 s.	20	15	164	92	99	146	67	1,4
DN15 (1/2")	BEBF070000	50 s.	BEBF080000	20 s.	20	15	164	92	99	148	87	1,6
DN20 (3/4")	BEBF070000	50 s.	BEBF080000	20 s.	20	15	164	92	99	187	105	1,9
DN25 (1")	BEBF070000	50 s.	BEBF080000	20 s.	20	15	164	92	99	192	122.5	2,7
DN32 (1 1/4")	BEBF070000	50 s.	BEBF080000	20 s.	20	15	164	92	99	205	138.5	3,7



ER PREMIER

Indice de protection
IP65
Enclosure

Facteur de marche
30%
Duty rating

SECURED
MANUAL
OVERRIDE

Standard 2 potential free contacts to make an signal to see if valve has reached the open-or closed position.

With electric actuator type ER Premier [mm]					IP65, duty rating 30% (IEC34), Temperature -10 to +55 °C								
DN (d)	100V to 240V 50-60 Hz (100 to 350 V/DC)	90° runtime	24V 50/60Hz (24V/DC)	90° runtime	Nm	Watt	A	C	D	E	H	L	Weight [kg]
DN8 (1/4")	ER20.X0A.M00	13 s.	ER20.X03.M00	13 s.	20	15	194	92	152	28	175	67	1,7
DN10 (3/8")	ER20.X0A.M00	13 s.	ER20.X03.M00	13 s.	20	15	194	92	152	28	175	67	1,6
DN15 (1/2")	ER20.X0A.M00	13 s.	ER20.X03.M00	13 s.	20	15	194	92	152	28	177	77	1,8
DN20 (3/4")	ER20.X0A.M00	13 s.	ER20.X03.M00	13 s.	20	15	194	92	152	28	216	87	2,1
DN25 (1")	ER20.X0A.M00	13 s.	ER20.X03.M00	13 s.	20	15	194	92	152	28	221	105	2,9
DN32 (1 1/4")	ER20.X0A.M00	13 s.	ER20.X03.M00	13 s.	20	15	194	92	152	28	234	122.5	3,9
DN40 (1 1/2")	ER35.90A.M00	8 s.	ER35.903.M00	7 s.	35	45	209	128	176	24	281	138.5	6,7
DN50 (2")	ER35.90A.M00	8 s.	ER35.903.M00	7 s.	35	45	209	128	176	24	292	166	11

A35 brass 3-way ball valve - 1/2'' up to 2''

ER PLUS



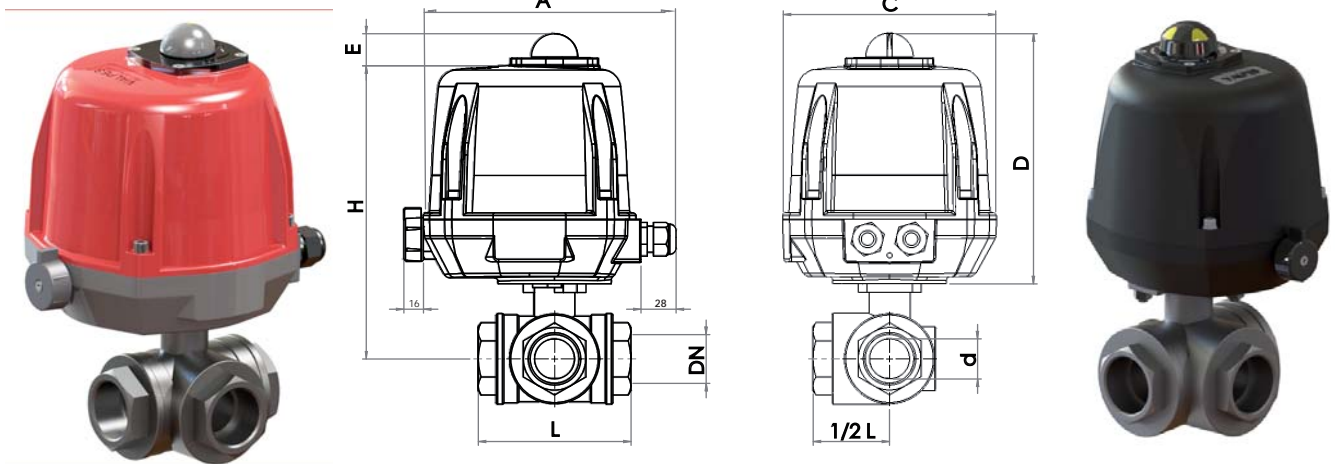
ER plus has extra, standard: anti-condensation heater, torque limiter by software and an motor failure feedback relay.

With electric actuator type ER Plus [mm]					IP66, duty rating S4 50% (IEC34), Temperature -10 to +55 °C								
DN (d)	100V to 240V 50-60 Hz (100 to 350 V/DC)	90° runtime	15 to 30V 50/60Hz (12 to 48V/DC)	90° runtime	Nm	Watt	A	C	D	E	H	L	Weight [kg]
DN8 (1/4")	ER10.X0A.G00	11 s.	ER10.X0B.G00	11 s.	10	15	194	92	148	24	175	67	1,7
DN10 (3/8")	ER10.X0A.G00	11 s.	ER10.X0B.G00	11 s.	10	15	194	92	148	24	175	67	1,6
DN15 (1/2")	ER10.X0A.G00	11 s.	ER10.X0B.G00	11 s.	10	15	194	92	148	24	177	77	1,8
DN20 (3/4")	ER10.X0A.G00	11 s.	ER10.X0B.G00	11 s.	10	15	194	92	148	24	216	87	2,1
DN25 (1")	ER20.X0A.G00	12 s.	ER20.X0B.G00	12 s.	20	15	194	92	148	24	221	105	2,9
DN32 (1 1/4")	ER20.X0A.G00	12 s.	ER20.X0B.G00	12 s.	20	15	194	92	148	24	234	122.5	3,9
DN40 (1 1/2")	ER35.X0A.G00	26 s.	ER35.X0B.G00	24 s.	35	15	194	92	148	24	253	138.5	6,7
	ER35.93A.G00	40 s.	ER35.93B.G00	41 s.	35	45	209	128	176	24	281	138,5	7,1
DN50 (2")	ER35.X0A.G00	26 s.	ER35.X0B.G00	24 s.	35	15	194	92	148	24	264	166	11
	ER35.93A.G00	40 s.	ER35.93B.G00	41 s.	35	45	209	128	176	24	292	166	11,4

ER		Positionnement POSI Positioning	With the Posi actuator you can make a simple control valve. It has the same functionality as the ER plus, with as extra a control function with which you can put the valve in every position wanted. The required controlsignal is 4-20 mA, 0-20 mA or 0-10 Volt.										
With electric actuator type ER Plus Posi [mm]					IP66, duty rating S4 50% (IEC34), Temperature -10 to +55 °C								
DN (d)	100V to 240V 50-60 Hz (100 to 350 V/DC)	90° runtime	15 to 30V 50/60Hz (12 to 48V/DC)	90° runtime	Nm	Watt	A	C	D	E	H	L	Weight [kg]
DN8 (1/4")	ER20.X3A.GP6	25 s.	ER20.X3B.GP6	25 s.	20	15	194	92	148	24	175	67	1,7
DN10 (3/8")	ER20.X3A.GP6	25 s.	ER20.X3B.GP6	25 s.	20	15	194	92	148	24	175	67	1,6
DN15 (1/2")	ER20.X3A.GP6	25 s.	ER20.X3B.GP6	25 s.	20	15	194	92	148	24	177	77	1,8
DN20 (3/4")	ER20.X3A.GP6	25 s.	ER20.X3B.GP6	25 s.	20	15	194	92	148	24	216	87	2,1
DN25 (1")	ER35.93A.GP6	40 s.	ER35.93B.GP6	41 s.	35	45	209	128	176	24	249	105	3,3
DN32 (1 1/4")	ER35.93A.GP6	40 s.	ER35.93B.GP6	41 s.	35	45	209	128	176	24	262	122.5	4,3
DN40 (1 1/2")	ER60.93A.GP6	79 s.	ER60.93B.GP6	79 s.	60	45	209	128	176	24	281	138.5	7,1
DN50 (2")	ER60.93A.GP6	79 s.	ER60.93B.GP6	79 s.	60	45	209	128	176	24	192	166	11,4

ER		Système sécurité FAIL SAFE Security system	Has the same functionality like ER Plus, with an addition of an failsafe function to let the valve turn to a safety position in case of power failure. Therefore there is build inside the actuator an batterypack..										
With electric actuator type ER Plus Failsafe [mm]					IP66, duty rating S4 50% (IEC34), Temperature -10 to +40 °C								
DN (d)	100V to 240V 50-60 Hz (100 to 350 V/DC)	90° runtime	15 to 30V 50/60Hz (12 to 48V/DC)	90° runtime	Nm	Watt	A	C	D	E	H	L	Weight [kg]
DN8 (1/4")	ER10.X0A.GS2	11 s.	ER10.X0B.GS2	11 s.	10	15	194	92	148	24	175	67	2,1
DN10 (3/8")	ER10.X0A.GS2	11 s.	ER10.X0B.GS2	11 s.	10	15	194	92	148	24	175	67	2
DN15 (1/2")	ER10.X0A.GS2	11 s.	ER10.X0B.GS2	11 s.	10	15	194	92	148	24	177	77	2,2
DN20 (3/4")	ER10.X0A.GS2	11 s.	ER10.X0B.GS2	11 s.	10	15	194	92	148	24	216	87	2,5
DN25 (1")	ER20.X0A.GS2	12 s.	ER20.X0B.GS2	12 s.	20	15	194	92	148	24	221	105	3,7
DN32 (1 1/4")	ER20.X0A.GS2	12 s.	ER20.X0B.GS2	12 s.	20	15	194	92	148	24	234	122.5	4,7
DN40 (1 1/2")	ER35.90A.GS2	7 s.	ER35.90B.GS2	7 s.	35	45	209	128	176	24	281	138.5	7,5
	ER35.93A.GS2	40 s.	ER35.93B.GS2	41 s.	35	45	209	128	176	24	281	138.5	7,5
DN50 (2")	ER35.90A.GS2	7 s.	ER35.90B.GS2	7 s.	35	45	209	128	176	24	192	166	11,8
	ER35.93A.GS2	40 s.	ER35.93B.GS2	41 s.	35	45	209	128	176	24	192	166	11,8

A35 brass 3-way ball valve - 1/2'' up to 2'' VR-VRX

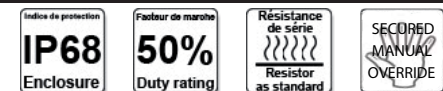


VR



With electric actuator type VR [mm]				IP68, duty rating 50% (IEC34), Temperature -20 to +70 °C											
DN (d)	100V to 240V 50-60 Hz (100 to 350 V/DC)	15 to 30V 50/60Hz (12 to 48V/DC)	90° runtime	Watt	400 V 3 phase	90° runtime	Watt	Nm	A	C	D	E	H	L	Weight [kg]
DN8 (1/4")	VR25.70A.G00	VR25.70B.G00	7 s.	45	VR25.709.R00	10 s.	52	25	225	170	201	24	258*	67	4
DN10 (3/8")	VR25.70A.G00	VR25.70B.G00	7 s.	45	VR25.709.R00	10 s.	52	25	225	170	201	24	258*	67	4
DN15 (1/2")	VR25.70A.G00	VR25.70B.G00	7 s.	45	VR25.709.R00	10 s.	52	25	225	170	201	24	260*	77	4
DN20 (3/4")	VR25.70A.G00	VR25.70B.G00	7 s.	45	VR25.709.R00	10 s.	52	25	225	170	201	24	219	87	4,5
DN25 (1")	VR25.70A.G00	VR25.70B.G00	7 s.	45	VR25.709.R00	10 s.	52	25	225	170	201	24	224	105	5,2
DN32 (1 1/4")	VR25.70A.G00	VR25.70B.G00	7 s.	45	VR25.709.R00	10 s.	52	25	225	170	201	24	237	123	5,5
DN40 (1 1/2")	VR45.70A.G00	VR45.70B.G00	15 s.	45	VR45.709.R00	10 s.	52	45	225	170	201	24	251	139	8,7
DN50 (2")	VR45.70A.G00	VR45.70B.G00	15 s.	45	VR45.709.R00	10 s.	52	45	225	170	201	24	262	166	12,5

VRX



With electric actuator type VRX [mm]				ATEX-II 2 GD Ex d IIB T6, IP68, duty rating 50%(IEC34), Temperature -20 to +70 °C											
DN (d)	100V to 240V 50-60 Hz (100 to 350 V/DC)	15 to 30V 50/60Hz (12 to 48V/DC)	90° runtime	Watt	400 V 3 phase	90° runtime	Watt	Nm	A	C	D	E	H	L	Weight [kg]
DN8 (1/4")	VRX25.70A.G00	VRX25.70B.G00	7 s.	45	VRX25.709.R00	10 s.	52	25	225	170	201	24	258*	67	5,5
DN10 (3/8")	VRX25.70A.G00	VRX25.70B.G00	7 s.	45	VRX25.709.R00	10 s.	52	25	209	170	201	24	258*	67	5,5
DN15 (1/2")	VRX25.70A.G00	VRX25.70B.G00	7 s.	45	VRX25.709.R00	10 s.	52	25	209	170	201	24	260*	77	5,6
DN20 (3/4")	VRX25.70A.G00	VRX25.70B.G00	7 s.	45	VRX25.709.R00	10 s.	52	25	209	170	201	24	219	87	6
DN25 (1")	VRX25.70A.G00	VRX25.70B.G00	7 s.	45	VRX25.709.R00	10 s.	52	25	209	170	201	24	224	105	6,8
DN32 (1 1/4")	VRX25.70A.G00	VRX25.70B.G00	7 s.	45	VRX25.709.R00	10 s.	52	25	209	170	201	24	237	123	7,7
DN40 (1 1/2")	VRX45.70A.G00	VRX45.70B.G00	15 s.	45	VRX45.709.R00	10 s.	52	45	209	170	201	24	251	139	9,9
DN50 (2")	VRX45.70A.G00	VRX45.70B.G00	15 s.	45	VRX45.709.R00	10 s.	52	45	209	170	201	24	262	166	13,3

*= with 50 mm bracket and adapter in SS

S02D SS316 2-piece ball valve - 1/4" up to 4"



Description

- 2-way ball valve BSP female threaded
- Full bore
- Body, ball and stem in SS316
- Mounting flanges ISO 5211 for direct mounting pneumatic or electric actuators
- Seats PTFE 15% glassfiber filled
- Working pressure maximum 63 Barg
- Temperature -15° up to + 180° C.
- Blow-out proof stem, lockable lever
- Anti-static
- Suitable for vacuum

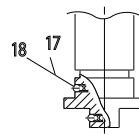
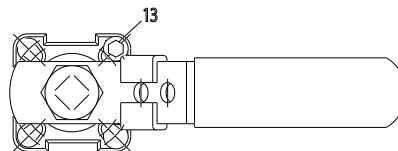
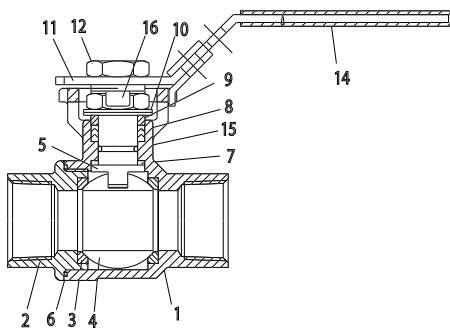
Options:

- Automatic electric or pneumatic actuation
- NPT female threaded
- Stem extension
- Spring return lever

Certificats:

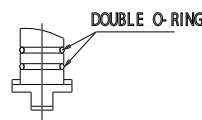
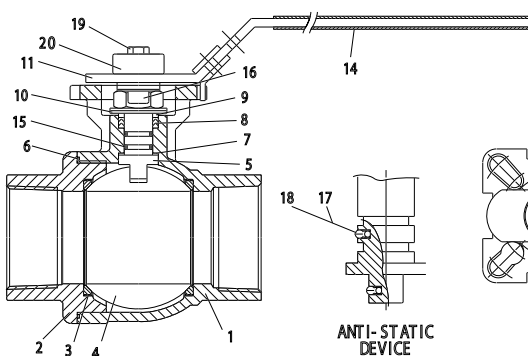
- 3.1 Material certificats
- CE declaration
- TA Luft declaration

1/4" t/m 2"



STATIC DEVICE

2 1/2" t/m 4"

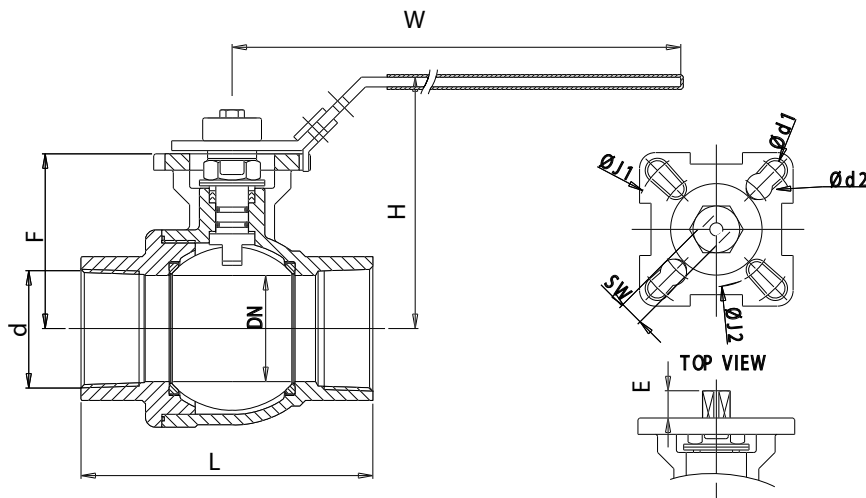
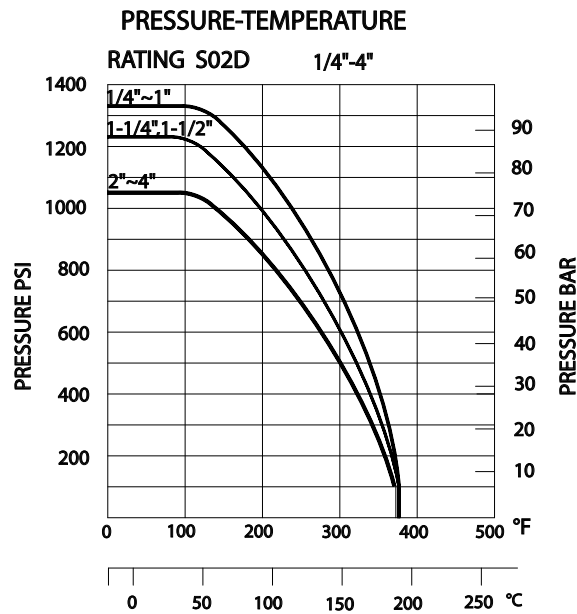


DOUBLE O-RING

ANTI-STATIC DEVICE

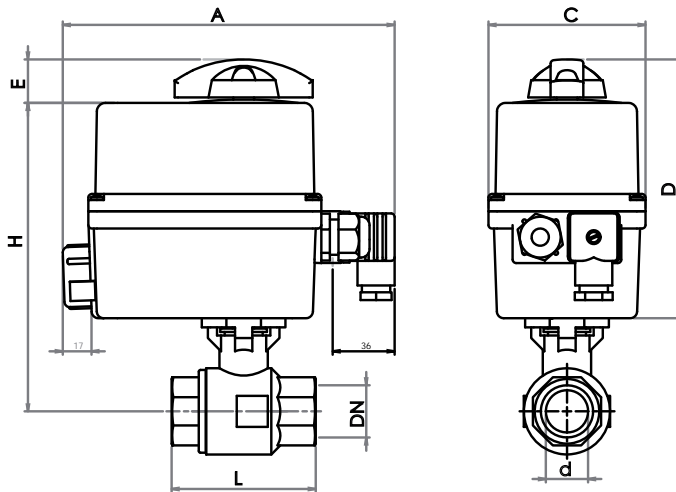
Item	Description	Material
1	Body	SS 316
2	End cap	SS 316
3	Seat	PTFE 15% glassfiber filled
4	Ball	SS 316
5	Stem	SS 316
6	Body packing	PTFE
7	Thrust washer	PTFE
8	Seal	PTFE
9	Gland	SS
10	Disc springs	SS
11	Lever	SS
12	Nut	SS
13	Stop	SS
14	Grip	PVC
15	O-ring	Viton®
16	Locking device	SS
17	Anti-static	SS
18	Spring	SS
19	Bolt	SS

S02D SS316 2-piece ball valve - 1/4" up to 4"



Dimensions 1/4" up to 4" [mm]											
d	1/4"	3/8"	1/2"	3/4"	1"	1 1/4"	1 1/2"	2"	2 1/2"	3"	4"
DN	11.1	11.1	15	20	24.5	32	38	50	65	80	100
L	57	57	57	71	83	91	104	123	155	182	240
H	72.7	72.7	72.7	72.7	83.5	88.7	100.8	118	155	165	180
F	42.3	42.3	42.3	44.8	54	59	73.5	82.9	107	117.3	132.3
J1	42	42	42	42	42	50	50	50	70	70	70
J2	50	50	50	50	50	70	70	70	102	102	102
W	110	110	110	110	135	165	165	165	300	335	335
SW	9	9	9	9	11	11	11	14	17	17	17
E	8	8	8	8	10	10	10	14.8	17.1	17.1	17.1
Weight [kg]	0.5	0.5	0.4	0.6	0.9	1.4	2.0	3.6	7.4	11.0	18.4

S02D SS316 2-piece ball valve - 1/4" up to 4"



ER PREMIER

Indice de protection **IP65** Enclosure
 Facteur de marche **30%** Duty rating
 SECURED MANUAL OVERRIDE

Standard 2 potential free contacts to make a signal to see if valve has reached the open-or closed position.

With electric actuator type ER Premier [mm]					IP65, duty rating 30% (IEC34), Temperature -10 to +55 °C								
DN (d)	100V to 240V 50-60 Hz (100 to 350 V/DC)	90° runtime	24V 50/60Hz (24V/DC)	90° runtime	Nm	Watt	A	C	D	E	H	L	Weight [kg]
DN8 (1/4")	ER20.X0A.M00	13 s.	ER20.X03.M00	13 s.	20	15	194	92	153	28	167	57	1.7
DN10 (3/8")	ER20.X0A.M00	13 s.	ER20.X03.M00	13 s.	20	15	194	92	153	28	167	57	1.7
DN15 (1/2")	ER20.X0A.M00	13 s.	ER20.X03.M00	13 s.	20	15	194	92	153	28	167	57	1.7
DN20 (3/4")	ER20.X0A.M00	13 s.	ER20.X03.M00	13 s.	20	15	194	92	153	28	169	71	1.8
DN25 (1")	ER20.X0A.M00	13 s.	ER20.X03.M00	13 s.	20	15	194	92	153	28	178	83	2.1
DN32 (1 1/4")	ER35.90A.M00	8 s.	ER35.903.M00	8 s.	35	45	209	128	176	24	211	91	2.6
DN40 (1 1/2")	ER35.90A.M00	8 s.	ER35.903.M00	8 s.	35	45	209	128	176	24	226	103	3.2
DN50 (2")	ER60.90A.M00	15 s.	ER60.903.M00	13 s.	60	45	209	128	176	24	235	120	8.9
DN65 (2 1/2")	ER60.90A.M00	15 s.	ER60.903.M00	13 s.	60	45	209	128	176	24	259	155	12.5
DN80 (3")	ER100.90A.M00	25 s.	ER100.903.M00	22 s.	100	45	209	128	176	24	270	182	19.9

ER PLUS

Indice de protection **IP66** Enclosure
 Facteur de marche **50%** Duty rating
 Résistance de série Resistor as standard
 SECURED MANUAL OVERRIDE
 FAILURE REPORT

ER plus has extra, standard: anti-condensation heater, torque limiter by software and an motor failure feedback relay.

With electric actuator type ER Plus [mm]					IP66, duty rating S4 50% (IEC34), Temperature -10 to +55 °C								
DN (d)	100V to 240V 50-60 Hz (100 to 350 V/DC)	90° runtime	15 to 30V 50/60Hz (12 to 48V/DC)	90° runtime	Nm	Watt	A	C	D	E	H	L	Weight [kg]
DN8 (1/4")	ER10.X0A.G00	11 s.	ER10.X0B.G00	11 s.	10	15	194	92	148	24	167	57	1.7
DN10 (3/8")	ER10.X0A.G00	11 s.	ER10.X0B.G00	11 s.	10	15	194	92	148	24	167	57	1.7
DN15 (1/2")	ER10.X0A.G00	11 s.	ER10.X0B.G00	11 s.	10	15	194	92	148	24	167	57	1.7
DN20 (3/4")	ER10.X0A.G00	11 s.	ER10.X0B.G00	11 s.	10	15	194	92	148	24	169	71	1.8
DN25 (1")	ER20.X0A.G00	12 s.	ER20.X0B.G00	12 s.	20	15	194	92	148	24	178	83	2.1
DN32 (1 1/4")	ER35.X0A.G00	26 s.	ER35.X0B.G00	24 s.	35	15	194	92	148	24	183	91	2.6
	ER35.90A.G00	7 s.	ER35.90B.G00	7 s.	35	45	209	128	176	24	211		2.9
	ER35.93A.G00	40 s.	ER35.93B.G00	41 s.	35	45	209	128	176	24	211		2.9
DN40 (1 1/2")	ER35.X0A.G00	26 s.	ER35.X0B.G00	24 s.	35	15	194	92	148	24	198	103	3.2
	ER35.90A.G00	7 s.	ER35.90B.G00	7 s.	35	45	209	128	176	24	226		3.5
	ER35.93A.G00	40 s.	ER35.93B.G00	41 s.	35	45	209	128	176	24	226		3.5
DN50 (2")	ER60.90A.G00	12 s.	ER60.90B.G00	12 s.	60	45	209	128	176	24	235	120	8.9
	ER60.93A.G00	79 s.	ER60.93B.G00	79 s.	60	45	209	128	176	24	235		8.9
DN65 (2 1/2")	ER100.90A.G00	23 s.	ER100.90B.G00	22 s.	100	45	209	128	176	24	259	155	12.5
	ER100.93A.G00	119 s.	ER100.93B.G00	119 s.	100	45	209	128	176	24	259		12.5
DN80 (3")	ER100.90A.G00	23 s.	ER100.90B.G00	22 s.	100	45	209	128	176	24	270	182	19.9
	ER100.93A.G00	119 s.	ER100.93B.G00	119 s.	100	45	209	128	176	24	270		19.9

S02D SS316 2-piece ball valve - 1/4'' up to 4''

ER PLUS

Indice de protection **IP66** Enclosure
 Facteur de marche **50%** Duty rating
 Résistance de série **Resistor as standard**
 SECURED MANUAL OVERRIDE
 FAILURE REPORT

Positionnement POSI
Positioning

With the Posi actuator you can make a simple control valve. It has the same functionality as the ER plus, with as extra a control function with which you can put the valve in every position wanted. The required controlsignal is 4-20 mA, 0-20 mA or 0-10 Volt.

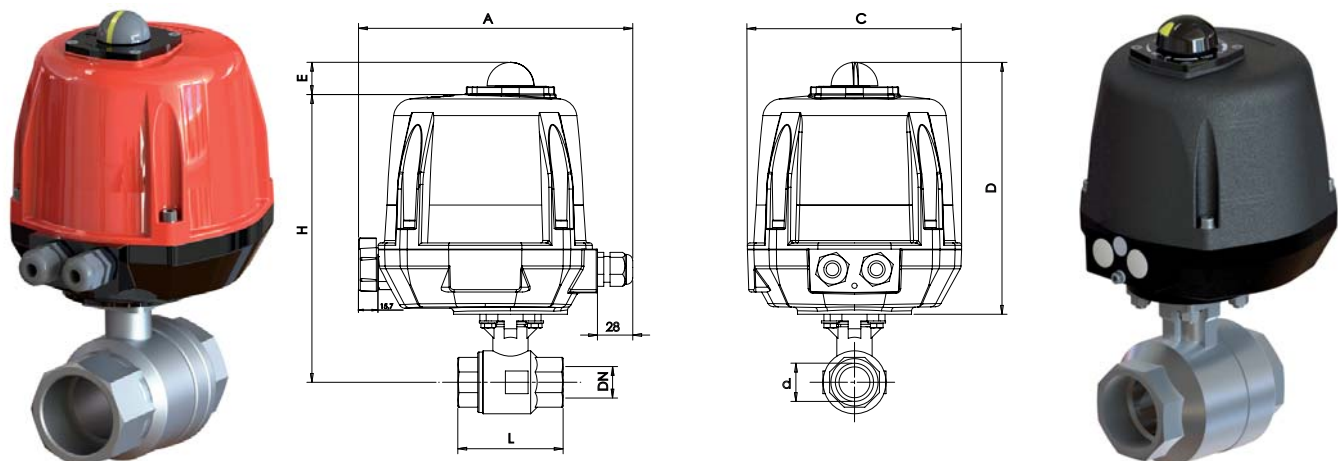
With electric actuator type ER Plus Posi [mm]					IP66, duty rating S4 50% (IEC34), Temperature -10 to +55 °C								
DN (d)	100V to 240V 50-60 Hz (100 to 350 V/DC)	90° runtime	15 to 30V 50/60Hz (12 to 48V/DC)	90° runtime	Nm	Watt	A	C	D	E	H	L	Weight [kg]
DN8 (1/4")	ER20.X3A.GP6	25 s.	ER20.X3B.GP6	25 s.	20	15	194	92	148	24	167	57	1.7
DN10 (3/8")	ER20.X3A.GP6	25 s.	ER20.X3B.GP6	25 s.	20	15	194	92	148	24	167	57	1.7
DN15 (1/2")	ER20.X3A.GP6	25 s.	ER20.X3B.GP6	25 s.	20	15	194	92	148	24	167	57	1.7
DN20 (3/4")	ER20.X3A.GP6	25 s.	ER20.X3B.GP6	25 s.	20	15	194	92	148	24	169	71	1.8
DN25 (1")	ER35.93A.GP6	40 s.	ER35.93B.GP6	41 s.	35	45	209	128	176	24	206	83	2.4
DN32 (1 1/4")	ER60.93A.GP6	79 s.	ER60.93B.GP6	79 s.	60	45	209	128	176	24	211	91	2.9
DN40 (1 1/2")	ER60.93A.GP6	79 s.	ER60.93B.GP6	79 s.	60	45	209	128	176	24	226	103	3.5
DN50 (2")	ER100.93A.GP6	119 s.	ER100.93B.GP6	119 s.	100	45	209	128	176	24	235	120	5.1

Système sécurité FAIL SAFE
Security system

Has the same functionality like ER Plus, with an addition of an failsafe function to let the valve turn to a safety position in case of power failure. Therefore there is build inside the actuator an batterypack..

With electric actuator type ER Plus Failsafe [mm]					IP66, duty rating S4 50% (IEC34), Temperature -10 to +40 °C								
DN (d)	100V tot 240V 50-60 Hz (100 tot 350 V/DC)	90° runtime	15 tot 30V 50/60Hz (12 tot 48V/DC)	90° runtime	Nm	Watt	A	C	D	E	H	L	Weight [kg]
DN8 (1/4")	ER10.X0A.GS2	11 s.	ER10.X0B.GS2	11 s.	10	15	194	92	148	24	167	57	1.7
DN10 (3/8")	ER10.X0A.GS2	11 s.	ER10.X0B.GS2	11 s.	10	15	194	92	148	24	167	57	1.7
DN15 (1/2")	ER10.X0A.GS2	11 s.	ER10.X0B.GS2	11 s.	10	15	194	92	148	24	167	57	1.7
DN20 (3/4")	ER10.X0A.GS2	11 s.	ER10.X0B.GS2	11 s.	10	15	194	92	148	24	169	71	1.8
DN25 (1")	ER20.X0A.GS2	12 s.	ER20.X0B.GS2	12 s.	20	15	194	92	148	24	178	83	2.3
DN32 (1 1/4")	ER35.90A.GS2	7 s.	ER35.90B.GS2	7 s.	35	45	209	128	176	24	211	91	2.9
	ER35.93A.GS2	40 s.	ER35.93B.GS2	41 s.	35	45	209	128	176	24	211	91	2.9
DN40 (1 1/2")	ER35.90A.GS2	7 s.	ER35.90B.GS2	7 s.	35	45	209	128	176	24	226	103	3.5
	ER35.93A.GS2	40 s.	ER35.93B.GS2	41 s.	35	45	209	128	176	24	226	103	3.5
DN50 (2")	ER60.90A.GS2	12 s.	ER60.90B.GS2	12 s.	60	45	209	128	176	24	235	120	8.9
	ER60.93A.GS2	79 s.	ER60.93B.GS2	79 s.	60	45	209	128	176	24	235	120	8.9
DN65 (2 1/2")	ER100.90A.GS2	23 s.	ER100.90B.GS2	22 s.	100	45	209	128	176	24	259	155	12.5
	ER100.93A.GS2	119s.	ER100.93B.GS2	119 s.	100	45	209	128	176	24	259	155	12.5
DN80 (3")	ER100.90A.GS2	23 s.	ER100.90B.GS2	22 s.	100	45	209	128	176	24	270	182	19.9
	ER100.93A.GS2	119s.	ER100.93B.GS2	119 s.	100	45	209	128	176	24	270	182	19.9

VR-VRX



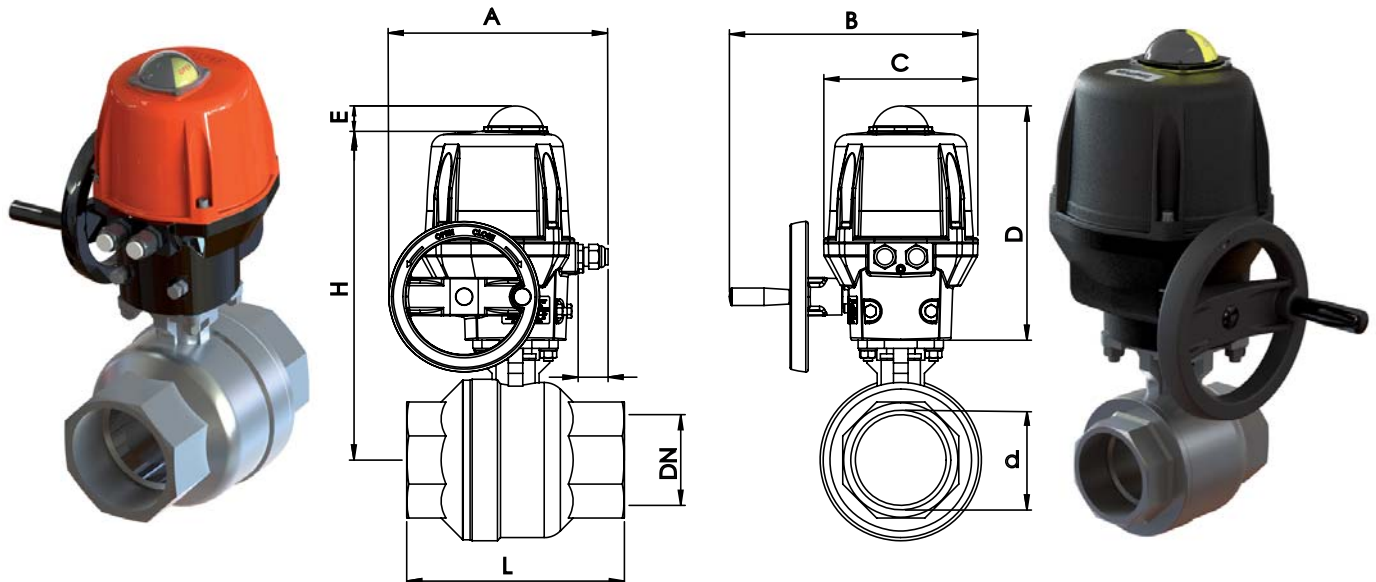
S02D SS316 2-piece ball valve - 1/4'' up to 4''

VR



With electric actuator type VR-VS-VT Serie [mm]				IP68, duty rating 50% (IEC34), Temperature -20 to +70 °C											
DN (d)	100V to 240V 50-60 Hz (100 to 350 V/DC)	15 to 30V 50/60Hz (12 to 48V/DC)	90° runtime	Watt	400 V 3 phase	90° runtime	Watt	Nm	A	C	D	E	H	L	Weight [kg]
DN8 (1/4")	VR25.70A.G00	VR25.70B.G00	7 s.	45	VR25.709.R00	10 s.	52	25	225	170	201	24	220	57	3,9
DN10 (3/8")	VR25.70A.G00	VR25.70B.G00	7 s.	45	VR25.709.R00	10 s.	52	25	225	170	201	24	220	57	3,9
DN15 (1/2")	VR25.70A.G00	VR25.70B.G00	7 s.	45	VR25.709.R00	10 s.	52	25	225	170	201	24	220	57	3,9
DN20 (3/4")	VR25.70A.G00	VR25.70B.G00	7 s.	45	VR25.709.R00	10 s.	52	25	225	170	201	24	222	71	4
DN25 (1")	VR25.70A.G00	VR25.70B.G00	7 s.	45	VR25.709.R00	10 s.	52	25	225	170	201	24	231	83	4,5
DN32 (1 1/4")	VR45.70A.G00	VR45.70B.G00	15 s.	45	VR45.709.R00	10 s.	52	45	225	170	201	24	235	91	5,5
DN40 (1 1/2")	VR45.70A.G00	VR45.70B.G00	15 s.	45	VR45.709.R00	10 s.	52	45	225	170	201	24	251	103	6,1
DN50 (2")	VR75.70A.G00	VR75.70B.G00	20 s.	45	VR75.709.R00	15 s.	52	75	225	170	201	24	260	120	8,4
DN65 (2 1/2")	VR75.70A.G00	VR75.70B.G00	20 s.	45	VR75.709.R00	15 s.	52	75	225	170	201	24	284	155	12,2

VS



With electric actuator type VR-VS-VT [mm]				IP68, duty rating 50% (IEC34), Temperature -20 to +70 °C												
DN (d)	100V to 240V 50-60 Hz (100 to 350 V/DC)	15 to 30V 50/60Hz (12 to 48V/DC)	90° runtime	Watt	400 V 3 phase	90° runtime	Watt	Nm	A	B	C	D	E	H	L	Weight [kg]
DN80 (3")	VS150.90A.G00	VS150.90B.G00	30 s.	45	VS150.909.R00	20 s.	135	150	242	275	170	258	24	352	182	17
DN 100 (4")	VS300.90A.G00	VS300.90B.G00	60 s.	45	VS300.909.R00	35 s.	135	150	242	275	170	258	24	367	240	25




With the Posi actuator you can make a simple control valve. It has the same functionality as the ER plus, with as extra a control function with which you can put the valve in every position wanted. The required controlsignal is 4-20 mA, 0-20 mA or 0-10 Volt.

With electric actuator type VS Posi [mm]				IP68, duty rating S4 50% (IEC34), Temperature -20 to +70 °C											
DN (d)	100V to 240V 50-60 Hz (100 to 350 V/DC)	15 to 30V 50/60Hz (12 to 48V/DC)	90° runtime	Nm	Watt	A	B	C	D	E	H	L	Weight [kg]		
DN 65(2 1/2")	VS150.90A.GP5	VS150.90B.GP5	30 s.	150	45	242	275	170	258	24	341	155	14		
DN80 (3")	VS300.90A.GP5	VS300.90B.GP5	60 s.	300	45	242	275	170	258	24	352	182	17		
DN100(4")	VS300.90A.GP5	VS300.90B.GP5	60 s.	300	45	242	275	170	258	24	367	240	25		

S02D SS316 2-piece ball valve - 1/4'' up to 4''


VS




 <p>Has the same functionality like VS, with an addition of an failsafe function to let the valve turn to a safety position in case of power failure. Therefore there is build inside the actuator an batterypack.</p>													
With electric actuator type VS Failsafe [mm]							IP68, duty rating S4 50% (IEC34), Temperature -10 to +40 °C						
DN (d)	100V to 240V 50-60 Hz (100 to 350 V/DC)	15 to 30V 50/60Hz (12 to 48V/DC)	90° run- time	Nm	Watt	A	B	C	D	E	H	L	Weight [kg]
DN 100 (4'')	VS300.90A.GS2	VS300.90B.GS2	60 s.	150	45	242	275	170	258	24	367	240	25

VSX



 <p>With the Posi actuator you can make a simple control valve. It has the same functionality as the VSX, with as extra a control function with which you can put the valve in every position wanted. The required controlsignal is 4-20 mA, 0-20 mA or 0-10 Volt..</p>																
With electric actuator type VSX Posi [mm]							IP68, duty rating S4 50% (IEC34), Temperature -20 to +70 °C									
DN (d)	100V to 240V 50-60 Hz (100 to 350 V/DC)	15 to 30V 50/60Hz (12 to 48V/DC)	90° run- time	Watt	400 V 3 phase	90° run- time	Watt	Nm	A	B	C	D	E	H	L	Weight [kg]
DN80 (3'')	VSX150.90A.G00	VSX150.90B.G00	30 s.	45	VSX150.909.R00	20 s.	135	150	242	275	170	258	24	352	182	17
DN 100 (4'')	VSX300.90A.G00	VSX300.90B.G00	50 s.	45	VSX300.909.R00	35 s.	135	150	242	275	170	258	24	367	240	25

 <p>Has the same functionality like VSX, with an addition of an failsafe function to let the valve turn to a safety position in case of power failure. Therefore there is build inside the actuator an batterypack.</p>													
With electric actuator type VSX Failsafe [mm]							IP68, duty rating S4 50% (IEC34), Temperature -10 to +40 °C						
DN (d)	100V to 240V 50-60 Hz (100 to 350 V/DC)	15 to 30V 50/60Hz (12 to 48V/DC)	90° run- time	Nm	Watt	A	B	C	D	E	H	L	Weight [kg]
DN 100 (4'')	VSX150.90A.GS2	VSX150.90B.GS2	30 s.	150	45	242	275	170	258	24	367	240	25

S57D 3-way SS316 ball valve - 1/2'' up to 2''



Description

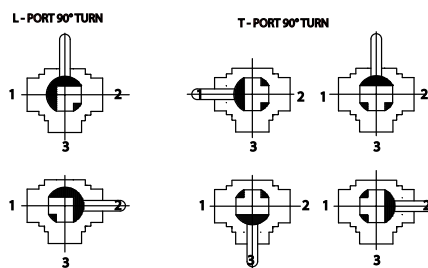
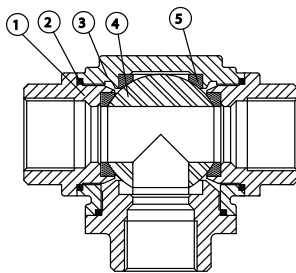
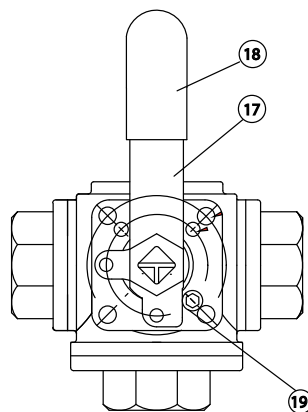
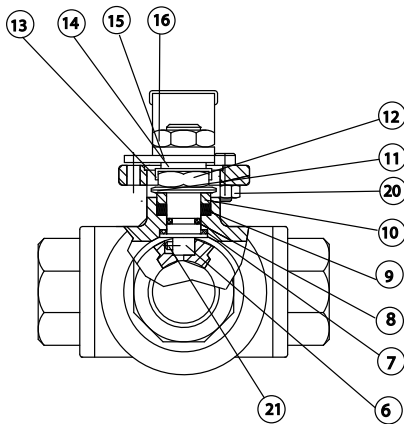
- 3-way ball valve BSP female threaded
- Full bore, L- or T port, standard with 4 seat rings
- Body , ball and stem SS316
- Mounting flange ISO 5211 for direct mounting pneumatic or electric actuators
- Seats and seals PTFE
- Blow-out proof stem, lockable lever
- Anti-static
- Working pressure max. 50 barg depending of version
- Temperature -15° C up to 180° C.

Options:

- Automatic electric or pneumatic actuation
- Stem extension
- Endswitches
- Reduced bore
- Spring return lever
- Perlast O-rings, Integral seats, Peek seats

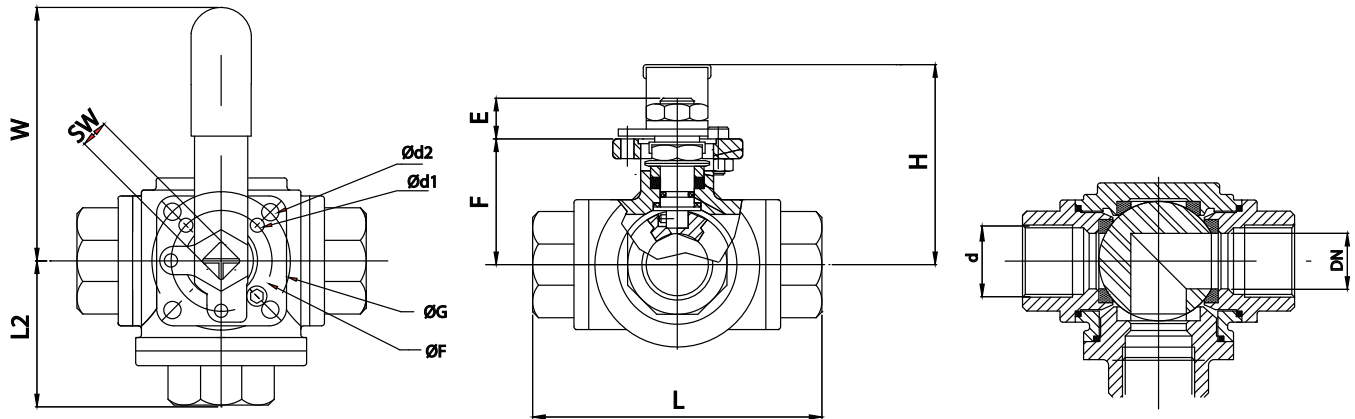
Certificats:

- 3.1 Material certificats
- CE declaration



Item	Description	Material
1	End cap	SS 316
2	Seal	PTFE
3	Body	SS 316
4	Ball	SS 316
5	Seats	RPTFE
6	Stem	SS 316
7	Thrust washer	PTFE
8	O-ring	Viton®
9	Chevron®	PTFE
10	Gland	SS
11	Disc spring	SS
12	Nut	SS
13	Nut stop	SS
14	Spacer	SS
15	Stop plate	SS
16	Nut	SS
17	Lever	SS
18	Grip	PVC
19	Stop pin	SS
20	Nut	SS
21	Pin	SS

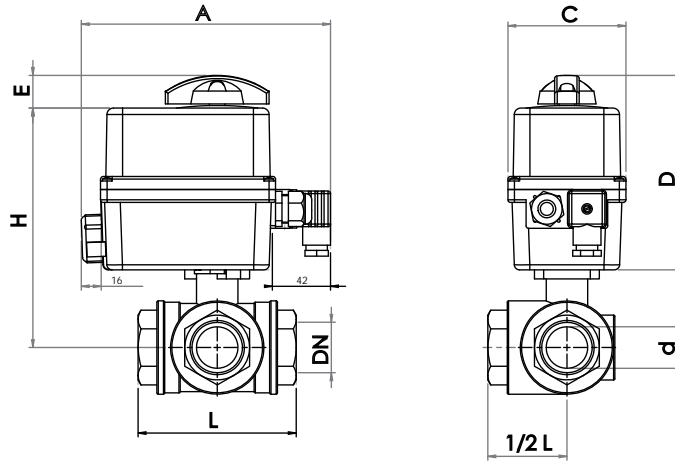
S57D 3-way SS316 ball valve - 1/2'' up to 2'



Dimensions 1/4" up to 2" [mm] full bore								
d	1/4"	3/8"	1/2"	3/4"	1"	1 1/4"	1 1/2"	2"
DN	8	10	15	20	25	32	40	50
A	11	12	15	20	25	32	38	50
L	72	72	83	99	112	125	149	174
L2	36	36	41.85	49.5	56	62.5	74.5	87
H	62	62	64	82	89	98	108	140
W	130	130	130	165	165	205	205	325
G	42	42	42	50	50	70	70	102
F	36	36	36	42	42	50	50	70
d1	6.0	6.0	6.0	6.0	6.0	7.1	7.1	9.2
d2	6.0	6.0	6.0	7.1	7.1	9.2	9.2	11.4
SW	9	9	9	11	11	14	14	17
E	11	11	11	14	14	18	18	22
F	37.5	38.5	42	49	55	63	74	93
Weight [kg]	0.66	0.66	0.86	1.48	2.22	3.22	5.36	9.70

Dimensions 1/4" up to 2" [mm] reduced bore						
d	1/2"	3/4"	1"	1 1/4"	1 1/2"	2"
DN	10	15	20	25	32	40
A	12	15	20	25	32	38
L	72	83	99	112	125	149
L2	36	41.85	49.5	56	62.5	74.5
H	62	64	82	89	98	108
W	130	130	165	165	205	205
G	42	42	50	50	70	70
F	36	36	42	42	50	50
d1	6.0	6.0	6.0	6.0	7.1	7.1
d2	6.0	6.0	7.1	7.1	9.2	9.2
SW	9	9	11	11	14	14
E	11	11	14	14	18	18
F	38.5	42	49	55	63	74
Weight [kg]	0.66	0.66	0.86	1.52	2.18	3.38

S57D 3-way SS316 ball valve - 1/2" up to 2'



ER PREMIER

Indice de protection
IP65
Enclosure

Facteur de marche
30%
Duty rating

SECURED
MANUAL
OVERRIDE

Standard 2 potential free contacts to make a signal to see if valve has reached the open-or closed position.													
With electric actuator type ER Premier Serie [mm]					IP65, duty rating 30% (IEC34), Temperature -10 to +55 °C								
DN (d)	100V to 240V 50-60 Hz (100 to 350 V/DC)	90° runtime	24V 50/60Hz (24V/DC)	90° runtime	Nm	Watt	A	C	D	E	H	L	Weight [kg]
DN8 (1/4")	ER20.X0A.M00	13 s.	ER20.X03.M00	13 s.	20	15	194	92	152	28	162	72	1,7
DN10 (3/8")	ER20.X0A.M00	13 s.	ER20.X03.M00	13 s.	20	15	194	92	152	28	163	72	1,7
DN15 (1/2")	ER20.X0A.M00	13 s.	ER20.X03.M00	13 s.	20	15	194	92	152	28	166	83	1,9
DN20 (3/4")	ER20.X0A.M00	13 s.	ER20.X03.M00	13 s.	20	15	194	92	152	28	173	99	2,5
DN25 (1")	ER35.90A.M00	8 s.	ER35.903.M00	8 s.	35	45	209	128	176	24	207	112	4,3
DN32 (1 1/4")	ER60.90A.M00	15 s.	ER60.903.M00	13 s.	60	45	209	128	176	24	215	125	5,3
DN40 (1 1/2")	ER60.90A.M00	15 s.	ER60.903.M00	13 s.	60	45	209	128	176	24	226	149	7,4
DN50 (2")	ER100.90A.M00	25 s.	ER100.903.M00	22 s.	100	45	209	128	176	24	245	174	11,7

ER PLUS

Indice de protection
IP66
Enclosure

Facteur de marche
50%
Duty rating

Resistance de serie
Resistor as standard

SECURED
MANUAL
OVERRIDE

FAILURE
REPORT

ER plus has extra, standard: anti-condensation heater, torque limiter by software and an motor failure feedback relay.													
With electric actuator type ER Plus Serie [mm]					IP66, duty rating S4 50% (IEC34), Temperature -10 to +55 °C								
DN (d)	100V to 240V 50-60 Hz (100 to 350 V/DC)	90° runtime	15 to 30V 50/60Hz (12 to 48V/DC)	90° runtime	Nm	Watt	A	C	D	E	H	L	Weight [kg]
DN8 (1/4")	ER10.X0A.G00	11 s.	ER10.X0B.G00	11 s.	10	15	194	92	148	24	162	72	1,7
DN10 (3/8")	ER10.X0A.G00	11 s.	ER10.X0B.G00	11 s.	10	15	194	92	148	24	163	72	1,7
DN15 (1/2")	ER10.X0A.G00	11 s.	ER10.X0B.G00	11 s.	10	15	194	92	148	24	166	83	1,9
DN20 (3/4")	ER20.X0A.G00	12 s.	ER20.X0B.G00	12 s.	20	15	194	92	148	24	173	99	2,5
DN25 (1")	ER35.X0A.G00	26 s.	ER35.X0B.G00	24 s.	35	15	194	92	148	24	194	112	3,3
	ER35.90A.G00	7 s.	ER35.90B.G00	7 s.	35	45	209	128	176	24	207		4,3
	ER35.93A.G00	40 s.	ER35.93B.G00	41 s.	35	45	209	128	176	24	207		4,3
DN32 (1 1/4")	ER60.90A.G00	12 s.	ER60.90B.G00	12 s.	60	45	209	128	176	24	215	125	5,3
	ER60.93A.G00	79 s.	ER60.93B.G00	79 s.	60	45	209	128	176	24	215		5,3
DN40 (1 1/2")	ER60.90A.G00	12 s.	ER60.90B.G00	12 s.	60	45	209	128	176	24	226	149	7,4
	ER60.93A.G00	79 s.	ER60.93B.G00	79 s.	60	45	209	128	176	24	226		7,4
DN50 (2")	ER100.90A.G00	25 s.	ER100.90B.G00	22 s.	100	45	209	128	176	24	245	174	11,7
	ER100.93A.G00	119 s.	ER60.93B.G00	119 s.	100	45	209	128	176	24	245		11,7

S57D 3-way SS316 ball valve - 1/2'' up to 2''

ER PLUS

Indice de protection
IP66
Enclosure

Facteur de marche
50%
Duty rating

Résistance de série
Resistor as standard

SECURED MANUAL OVERRIDE

FAILURE REPORT

Positionnement
POSI
Positioning

With the Posi actuator you can make a simple control valve. It has the same functionality as the ER plus, with as extra a control function with which you can put the valve in every position wanted. The required controlsignal is 4-20 mA, 0-20 mA or 0-10 Volt.

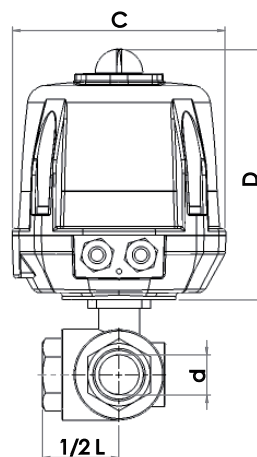
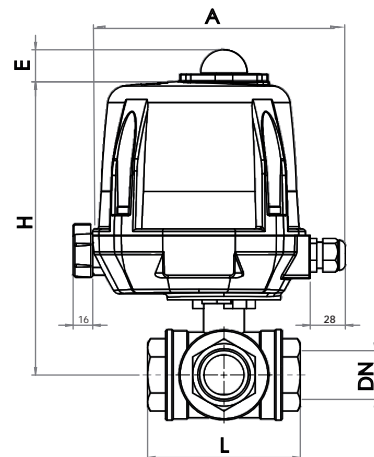
With electric actuator type ER Plus Posi [mm]					IP66, duty rating S4 50% (IEC34), Temperature -10 to +55 °C								
DN (d)	100V to 240V 50-60 Hz (100 to 350 V/DC)	90° runtime	15 to 30V 50/60Hz (12 to 48V/DC)	90° runtime	Nm	Watt	A	C	D	E	H	L	Weight [kg]
DN8 (1/4")	ER20.X3A.GP6	25 s.	ER20.X3B.GP6	25 s.	20	15	194	92	148	24	162	72	1,7
DN10 (3/8")	ER20.X3A.GP6	25 s.	ER20.X3B.GP6	25 s.	20	15	194	92	148	24	163	72	1,7
DN15 (1/2")	ER20.X3A.GP6	25 s.	ER20.X3B.GP6	25 s.	20	15	194	92	148	24	166	83	1,9
DN20 (3/4")	ER35.93A.GP6	40 s.	ER35.93B.GP6	41 s.	20	45	209	128	176	24	173	99	3,6
DN25 (1")	ER60.93A.GP6	79 s.	ER60.93B.GP6	79 s.	35	45	209	128	176	24	207	112	4,4
DN32 (1 1/4")	ER100.93A.GP6	119 s.	ER100.93B.GP6	119 s.	60	45	209	128	176	24	215	125	5,4
DN40 (1 1/2")	ER100.93A.GP6	119 s.	ER100.93B.GP6	119 s.	60	45	209	128	176	24	226	149	7,5

Système sécurité
FAIL SAFE
Security system

Has the same functionality like ER Plus, with an addition of an failsafe function to let the valve turn to a safety position in case of power failure. Therefore there is build inside the actuator an batterypack..

With electric actuator type ER Plus Failsafe [mm]					IP66, duty rating S4 50% (IEC34), Temperature -10 to +40 °C								
DN (d)	100V to 240V 50-60 Hz (100 to 350 V/DC)	90° runtime	15 to 30V 50/60Hz (12 to 48V/DC)	90° runtime	Nm	Watt	A	C	D	E	H	L	Weight [kg]
DN8 (1/4")	ER10.X0A.GS2	11 s.	ER10.X0B.GS2	11 s.	10	15	194	92	148	24	162	72	1,7
DN10 (3/8")	ER10.X0A.GS2	11 s.	ER10.X0B.GS2	11 s.	10	15	194	92	148	24	163	72	1,7
DN15 (1/2")	ER10.X0A.GS2	11 s.	ER10.X0B.GS2	11 s.	10	15	194	92	148	24	166	83	1,9
DN20 (3/4")	ER20.X0A.GS2	12 s.	ER20.X0B.GS2	12 s.	10	15	209	128	176	24	173	99	3,6
DN25 (1")	ER35.90A.GS2	7 s.	ER20.X0B.GS2	7 s.	20	45	209	128	176	24	207	112	4,4
	ER35.93A.GS2	40 s.	ER35.93B.GS2	41 s.	35	45	209	128	176	24	207		4,4
DN32 (1 1/4")	ER60.90A.GS2	12 s.	ER60.90B.GS2	12 s.	60	45	209	128	176	24	215	125	5,4
	ER60.93A.GS2	79 s.	ER60.93B.GS2	79 s.	60	45	209	128	176	24	215		5,4
DN40 (1 1/2")	ER60.90A.GS2	12 s.	ER60.90B.GS2	12 s.	35	45	209	128	176	24	226	149	7,5
	ER60.93A.GS2	79 s.	ER60.93B.GS2	79 s.	60	45	209	128	176	24	226		7,5
DN50 (2")	ER100.90A.GS2	23 s.	ER100.90B.GS2	22 s.	100	45	209	128	176	24	245	174	11,8
	ER100.93A.GS2	119s.	ER100.93B.GS2	119 s.	100	45	209	128	176	24	245		11,8

VR-VRX



S57D 3-way SS316 ball valve - 1/2'' up to 2''

VR



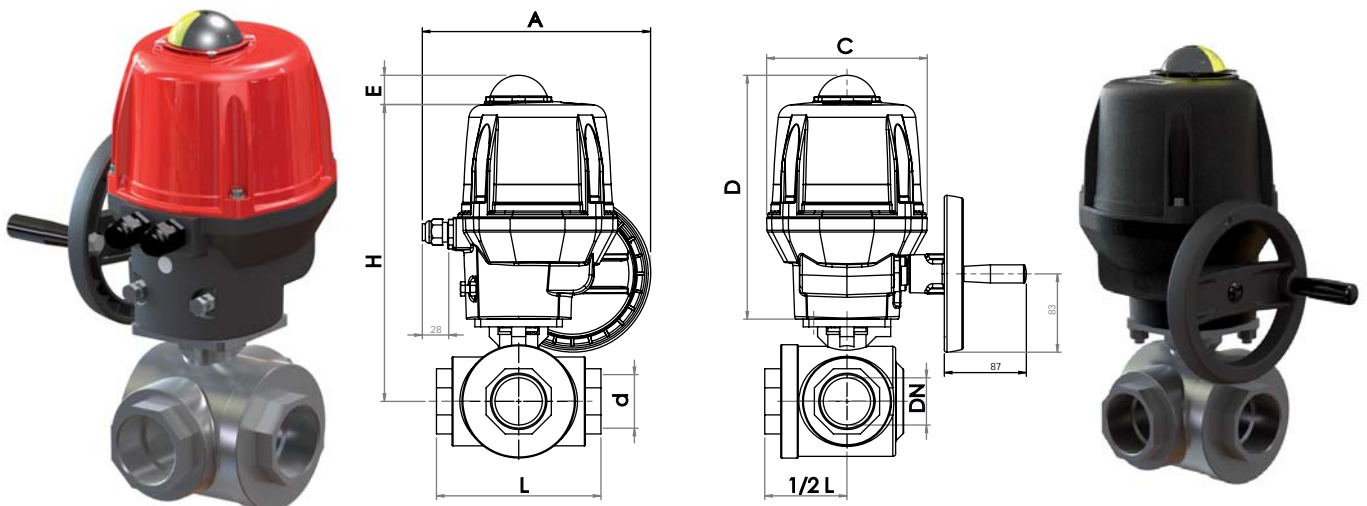
With electric actuator type VR [mm]				IP68, duty rating 50% (IEC34), Temperature -20 to +70 °C											
DN (d)	100V to 240V 50-60 Hz (100 to 350 V/DC)	15 to 30V 50/60Hz (12 to 48V/DC)	90° runtime	Watt	400 V 3 phase	90° runtime	Watt	Nm	A	C	D	E	H	L	Weight [kg]
DN8 (1/4")	VR25.70A.G00	VR25.70B.G00	7 s.	45	VR25.709.R00	10 s.	45	25	225	170	201	24	215	72	4
DN10 (3/8")	VR25.70A.G00	VR25.70B.G00	7 s.	45	VR25.709.R00	10 s.	45	25	225	170	201	24	216	72	4
DN15 (1/2")	VR25.70A.G00	VR25.70B.G00	7 s.	45	VR25.709.R00	10 s.	45	25	225	170	201	24	219	83	4
DN20 (3/4")	VR25.70A.G00	VR25.70B.G00	7 s.	45	VR25.709.R00	10 s.	45	25	225	170	201	24	226	99	4,6
DN25 (1")	VR45.70A.G00	VR45.70B.G00	15 s.	45	VR25.709.R00	10 s.	52	25	225	170	201	24	232	112	5,4
DN32 (1 1/4")	VR75.70A.G00	VR75.70B.G00	20 s.	45	VR75.709.R00	15 s.	75	25	225	170	201	24	240	125	6,4
DN40 (1 1/2")	VR75.70A.G00	VR75.70B.G00	20 s.	45	VR75.709.R00	15 s.	75	25	225	170	201	24	251	149	8,5

VRX



With electric actuator type VRX [mm]				ATEX-II 2 GD Ex d IIB T6, IP68, duty rating 50%(IEC34), Temperature -20 to +70 °C											
DN (d)	100V to 240V 50-60 Hz (100 to 350 V/DC)	15 to 30V 50/60Hz (12 to 48V/DC)	90° runtime	Watt	400 V 3 phase	90° runtime	Watt	Nm	A	C	D	E	H	L	Weight [kg]
DN8 (1/4")	VRX25.70A.G00	VRX25.70B.G00	7 s.	45	VRX25.709.R00	10 s.	20	25	225	170	201	24	215	72	4
DN10 (3/8")	VRX25.70A.G00	VRX25.70B.G00	7 s.	45	VRX25.709.R00	10 s.	20	25	225	170	201	24	216	72	4
DN15 (1/2")	VRX25.70A.G00	VRX25.70B.G00	7 s.	45	VRX25.709.R00	10 s.	20	25	225	170	201	24	219	83	4
DN20 (3/4")	VRX25.70A.G00	VRX25.70B.G00	7 s.	45	VRX25.709.R00	10 s.	20	25	225	170	201	24	226	99	4,6
DN25 (1")	VRX45.70A.G00	VRX45.70B.G00	15 s.	45	VRX25.709.R00	10 s.	52	25	225	170	201	24	232	112	5,4
DN32 (1 1/4")	VRX75.70A.G00	VRX75.70B.G00	20 s.	45	VRX75.709.R00	15 s.	75	25	225	170	201	24	240	125	6,4
DN40 (1 1/2")	VRX75.70A.G00	VRX75.70B.G00	20 s.	45	VRX75.709.R00	15 s.	75	25	225	170	201	24	251	149	8,5

VS



With electric actuator type VS [mm]				IP68, duty rating 50% (IEC34), Temperature -20 to +70 °C											
DN (d)	100V to 240V 50-60 Hz (100 to 350 V/DC)	15 to 30V 50/60Hz (12 to 48V/DC)	90° runtime	Watt	400 V 3 phase	90° runtime	Watt	Nm	A	C	D	E	H	L	Weight [kg]
DN50 (2")	VS100.90A.G00	VS100.90B.G00	15 s.	45	VS100.909.R00	10s.	135	150	242	170	258	24	327	174	16

S57D 3-way SS316 ball valve - 1/2'' up to 2'

VSX



Indice de protection
IP68
Enclosure

Facteur de marche
50%
Duty rating

Résistance de série
Resistor as standard

SECURED
MANUAL
OVERRIDE

With electric actuator type VSX [mm]				ATEX-II 2 GD Ex d IIB T6, IP68, duty rating 50%(IEC34), Temperature -20 to +70 °C											
DN (d)	100V to 240V 50-60 Hz (100 to 350 V/DC)	15 to 30V 50/60Hz (12 to 48V/DC)	90° runtime	Watt	400 V 3 phase	90° runtime	Watt	Nm	A	C	D	E	H	L	Weight [kg]
DN50 (2")	VSX100.90A.G00	VSX100.90B.G00	15 s.	45	VRX100.909.R00	10 s.	135	150	242	170	258	24	327	174	16

VS

Indice de protection
IP68
Enclosure

Facteur de marche
50%
Duty rating

Résistance de série
Resistor as standard

SECURED
MANUAL
OVERRIDE

<p>Positionnement POSI Positioning</p>	<p>With the Posi actuator you can make a simple control valve. It has the same functionality as the VS, with as extra a control function with which you can put the valve in every position wanted. The required controlsignal is 4-20 mA, 0-20 mA or 0-10 Volt.</p>														
	With electric actuator type VS Plus Posi [mm]				IP68, duty rating S4 50% (IEC34), Temperature -20 to +70 °C										
DN (d)	100V to 240V 50-60 Hz (100 to 350 V/DC)	15 to 30V 50/60Hz (12 to 48V/DC)	90° runtime	Nm	Watt	A	B	C	D	E	H	L	Weight [kg]		
DN 50(2")	VS150.90B.GP5	VS150.90B.GP5	30 s.	150	45	242	275	170	258	24	341	155	16		

S350D 3-way ball valve SS316 - DN 15 up to DN 50



Description

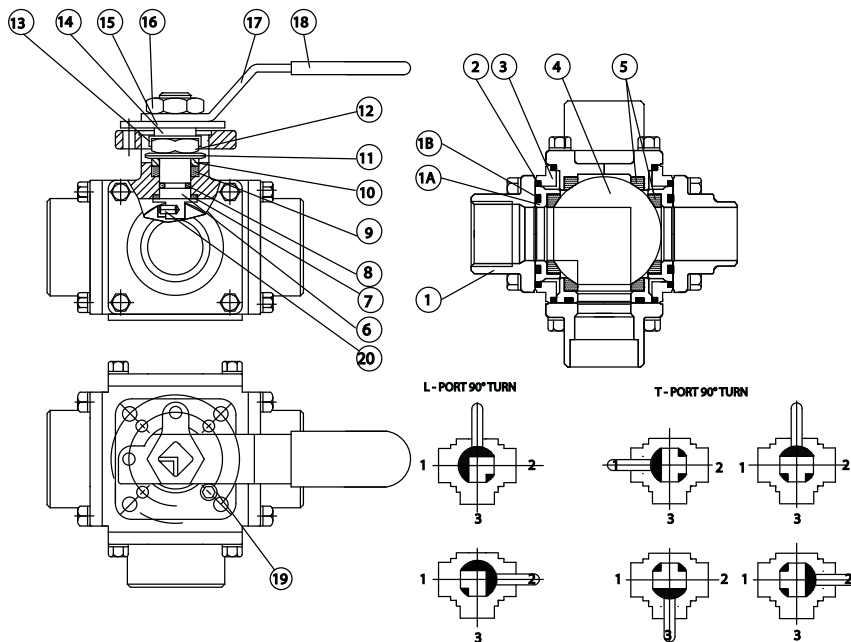
- 3-way ball valve BSP female threaded or BW ends
- Full bore
- Body, ball and stem SS316
- Mounting flange ISO 5211 for direct mounting pneumatic or electric actuators
- Seats and seals PTFE
- Simple disconnection from pipeline
- Blow-out proof stem, lockable lever
- Working pressure max. 40 barg
- Temperature -30° C to 180° C.

Options:

- Automatic electric or pneumatic actuation
- Stem extension
- Endswitches
- Integral seats, Peek seats, Perlast O-rings
- Spring return lever
- Socket weld ends
- 2 1/2", 3" and 4" version
- 4-way version L-T-X-I port

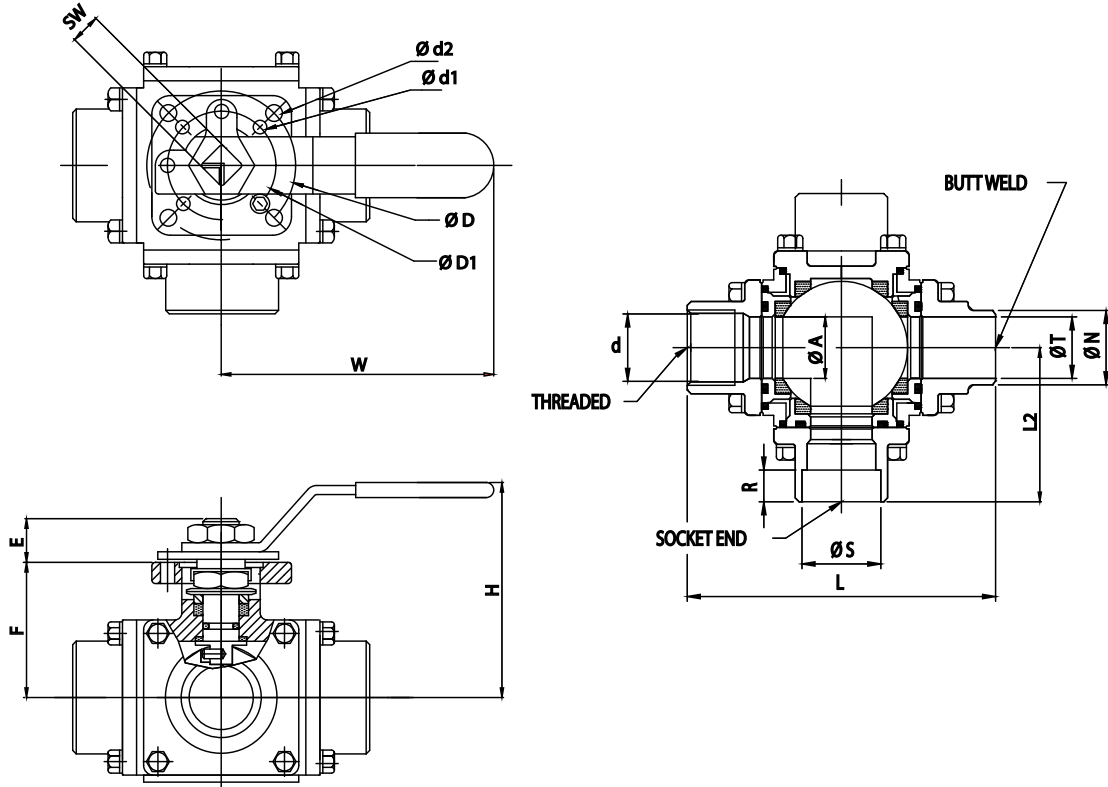
Certificats:

- 3.1 Material certificats
- CE declaration



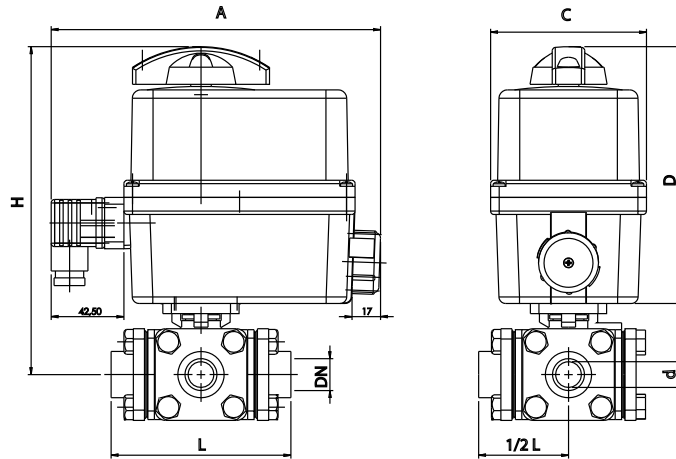
Item	Description	Material
1	End cap	SS316
1A	Seat holder	SS316
1B	Body packing	PTFE
2	Packing	PTFE
3	Body	SS316
4	Ball	SS316
5	Seat	RPTFE
6	Thrust washer	PTFE
7	Stem	SS316
8	O-ring	Viton®
9	Packing	PTFE
10	Gland	SS
11	Spring disc	SS
12	Nut	SS
13	Nut stop	SS
14	Washer	SS
15	Stop plate	SS
16	Nut	SS
17	Lever	SS
18	Grip	PVC
19	Stop pin	SS
20	Pin	SS

S350D 3-way ball valve SS316 - DN 15 up to DN 50



Dimensions DN 15 up to DN 50 [mm]						
DN (d)	15 (1/2")	20 (3/4")	25 (1")	32 (1 1/4")	40 (1 1/2")	50 (2")
A	15	20	25	31.8	38	50
L	104	111	127	138	158	190
L2	52	55.5	63.5	69	79	95
W	130	165	165	205	205	325
H	64	82	89	98	108	140
F	42	48.5	55.5	63	73.5	92.5
E	11	14	14	17	16	21
D	42	50	50	70	70	102
D1	36	42	42	50	50	70
d1	6.0	6.0	6.0	7.1	7.1	9.2
d2	6.0	7.1	7.1	9.2	9.2	11.4
SW	9	11	11	14	14	17
R	12.7	14.3	15.9	17.5	19.1	22.2
S	21.7	27.1	33.8	42.5	49.6	61.1
T	15	20	25	31.8	38	50
N	22.5	28.5	34.5	43.5	49.5	61.5
Weight [kg]	2,2	2,8	4	5,8	9,2	16,4

S350D 3-way ball valve SS316 - DN 15 up to DN 50



ER PREMIER

Indice de protection **IP65** Enclosure
 Facteur de marche **30%** Duty rating
 SECURED MANUAL OVERRIDE

Standard 2 potential free contacts to make a signal to see if valve has reached the open-or closed position.

With electric actuator type ER Premier [mm]					IP65, duty rating 30% (IEC34), Temperature -10 to +55 °C								
DN (d)	100V to 240V 50-60 Hz (100 to 350 V/DC)	90° runtime	24V 50/60Hz (24V/DC)	90° runtime	Nm	Watt	A	C	D	E	H	L	Weight [kg]
DN15 (1/2")	ER20.X0A.M00	13 s.	ER20.X03.M00	13 s.	20	15	194	92	152	28	166	83	3,2
DN20 (3/4")	ER20.X0A.M00	13 s.	ER20.X03.M00	13 s.	20	15	194	92	152	28	173	99	3,8
DN25 (1")	ER35.90A.M00	8 s.	ER35.903.M00	8 s.	35	45	209	128	176	24	207	112	6,1
DN32 (1 1/4")	ER60.90A.M00	15 s.	ER60.903.M00	13 s.	60	45	209	128	176	24	215	125	7,9
DN40 (1 1/2")	ER60.90A.M00	15 s.	ER60.903.M00	13 s.	60	45	209	128	176	24	226	149	11,3
DN50 (2")	ER100.90A.M00	25 s.	ER100.903.M00	22 s.	100	45	209	128	176	24	245	174	18,5

ER PLUS

Indice de protection **IP66** Enclosure
 Facteur de marche **50%** Duty rating
 Résistance de série Resistor as standard
 SECURED MANUAL OVERRIDE
 FAILURE REPORT

ER plus has extra, standard: anti-condensation heater, torque limiter by software and an motor failure feedback relay.

With electric actuator type ER Plus [mm]					IP66, duty rating S4 50% (IEC34), Temperature -10 to +55 °C								
DN (d)	100V to 240V 50-60 Hz (100 to 350 V/DC)	90° runtime	15 to 30V 50/60Hz (12 to 48V/DC)	90° runtime	Nm	Watt	A	C	D	E	H	L	Weight [kg]
DN15 (1/2")	ER10.X0A.G00	11 s.	ER10.X0B.G00	11 s.	10	15	194	92	152	28	166	83	3,2
DN20 (3/4")	ER20.X0A.G00	12 s.	ER20.X0B.G00	12 s.	20	15	194	92	152	28	173	99	3,8
DN25 (1")	ER35.X0A.G00	26 s.	ER35.X0B.G00	24 s.	35	15	194	92	152	28	194	112	5
	ER35.90A.G00	7 s.	ER35.90B.G00	7 s.	35	45	209	128	176	24	207		6,1
	ER35.93A.G00	40 s.	ER35.93B.G00	41 s.	35	45	209	128	176	24	207		6,1
DN32 (1 1/4")	ER60.90A.G00	12 s.	ER35.90B.G00	12 s.	60	45	209	128	176	24	215	125	7,9
	ER60.93A.G00	79 s.	ER60.93B.G00	79 s.	60	45	209	128	176	24	215		7,9
DN40 (1 1/2")	ER60.90A.G00	12 s.	ER35.90B.G00	12 s.	60	45	209	128	176	24	226	149	11,3
	ER60.93A.G00	79 s.	ER60.93B.G00	79 s.	60	45	209	128	176	24	226		11,3
DN50 (2")	ER100.90A.G00	25 s.	ER100.90B.G00	22 s.	100	45	209	128	176	24	245	174	18,5
	ER100.93A.G00	119 s.	ER100.93B.G00	119 s.	100	45	209	128	176	24	245		18,5

S350D 3-way ball valve SS316 - DN 15 up to DN 50

ER PLUS

Indice de protection
IP66
Enclosure

Facteur de marche
50%
Duty rating

Résistance de série
Resistor as standard

SECURED MANUAL OVERRIDE

FAILURE REPORT

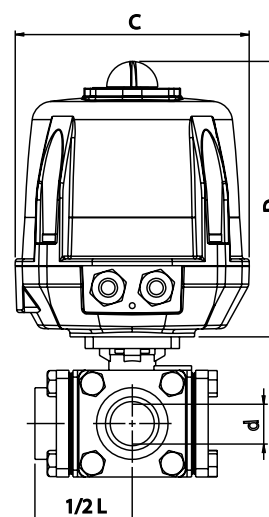
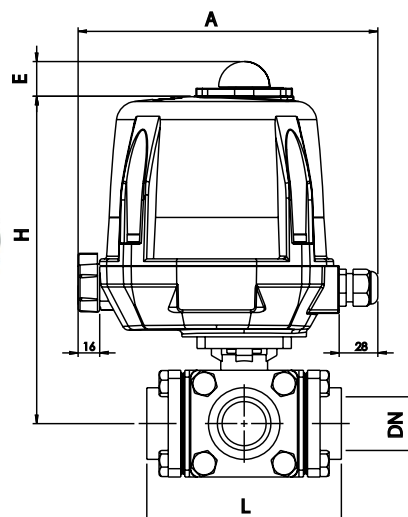
POSI Positioning
With the Posi actuator you can make a simple control valve. It has the same functionality as the ER plus, with an extra control function with which you can put the valve in every position wanted. The required control signal is 4-20 mA, 0-20 mA or 0-10 Volt.

With electric actuator type ER Plus Posi [mm]					IP66, duty rating S4 50% (IEC34), Temperature -10 to +55 °C								
DN (d)	100V to 240V 50-60 Hz (100 to 350 V/DC)	90° runtime	15 to 30V 50/60Hz (12 to 48V/DC)	90° runtime	Nm	Watt	A	C	D	E	H	L	Weight [kg]
DN15 (1/2")	ER20.X3A.GP6	25 s.	ER20.X3B.GP6	25 s.	20	15	194	92	152	28	166	83	3,2
DN20 (3/4")	ER35.93A.GP6	40 s.	ER35.93B.GP6	41 s.	20	45	209	128	176	24	173	99	4,9
DN25 (1")	ER60.93A.GP6	79 s.	ER60.93B.GP6	79 s.	35	45	209	128	176	24	207	112	6,1
DN32 (1 1/4")	ER100.93A.GP6	119 s.	ER100.93B.GP6	119 s.	60	45	209	128	176	24	215	125	7,9
DN40 (1 1/2")	ER100.93A.GP6	119 s.	ER100.93B.GP6	119 s.	60	45	209	128	176	24	226	149	11,3

FAIL SAFE Security system
Has the same functionality like ER Plus, with an addition of an failsafe function to let the valve turn to a safety position in case of power failure. Therefore there is build inside the actuator a battery pack.

With electric actuator type ER Plus Failsafe [mm]					IP66, duty rating S4 50% (IEC34), Temperature -10 to +40 °C								
DN (d)	100V to 240V 50-60 Hz (100 to 350 V/DC)	90° runtime	15 to 30V 50/60Hz (12 to 48V/DC)	90° runtime	Nm	Watt	A	C	D	E	H	L	Weight [kg]
DN15 (1/2")	ER10.X0A.GS2	11 s.	ER10.X0B.GS2	11 s.	10	15	194	92	152	28	166	83	3,2
DN20 (3/4")	ER20.X0A.GS2	12 s.	ER20.X0B.GS2	12 s.	10	15	194	92	152	28	173	99	3,8
DN25 (1")	ER35.90A.GS2	7 s.	ER35.90B.GS2	7 s.	20	45	209	128	176	24	207	112	6,1
	ER35.93A.GS2	40 s.	ER35.93B.GS2	41 s.	35	45	209	128	176	24	207		6,1
DN32 (1 1/4")	ER60.90A.GS2	12 s.	ER60.90B.GS2	12 s.	60	45	209	128	176	24	215	125	7,9
	ER60.93A.GS2	79 s.	ER60.93B.GS2	79 s.	60	45	209	128	176	24	215		7,9
DN40 (1 1/2")	ER60.90A.GS2	12 s.	ER60.90B.GS2	12 s.	35	45	209	128	176	24	226	149	11,3
	ER60.93A.GS2	79 s.	ER60.93B.GS2	79 s.	60	45	209	128	176	24	226		11,3
DN50 (2")	ER100.90A.GS2	23 s.	ER100.90B.GS2	22 s.	100	45	209	128	176	24	245	174	18,5
	ER100.93A.GS2	119s.	ER100.93B.GS2	119 s.	100	45	209	128	176	24	245		18,5

VR-VRX



S350D 3-way ball valve SS316 - DN 15 up to DN 50

VR



With electric actuator type VR [mm]				IP68, duty rating 50% (IEC34), Temperature -20 to +70 °C											
DN (d)	100V to 240V 50-60 Hz (100 to 350 V/DC)	15 to 30V 50/60Hz (12 to 48V/DC)	90° runtime	Watt	400 V 3 phase	90° runtime	Watt	Nm	A	C	D	E	H	L	Weight [kg]
DN15 (1/2")	VR25.70A.G00	VR25.70B.G00	7 s.	45	VR25.709.R00	10 s.	52	25	225	170	201	24	269*	83	5,3
DN20 (3/4")	VR25.70A.G00	VR25.70B.G00	7 s.	45	VR25.709.R00	10 s.	52	25	225	170	201	24	226	99	5,9
DN25 (1")	VR45.70A.G00	VR45.70B.G00	15 s.	45	VR25.709.R00	10 s.	52	45	225	170	201	24	233	112	7,1
DN32 (1 1/4")	VR75.70A.G00	VR75.70B.G00	20 s.	45	VR75.709.R00	15 s.	75	75	225	170	201	24	240	125	8,9
DN40 (1 1/2")	VR75.70A.G00	VR75.70B.G00	20 s.	45	VR75.709.R00	15 s.	75	75	225	170	201	24	251	149	12,3

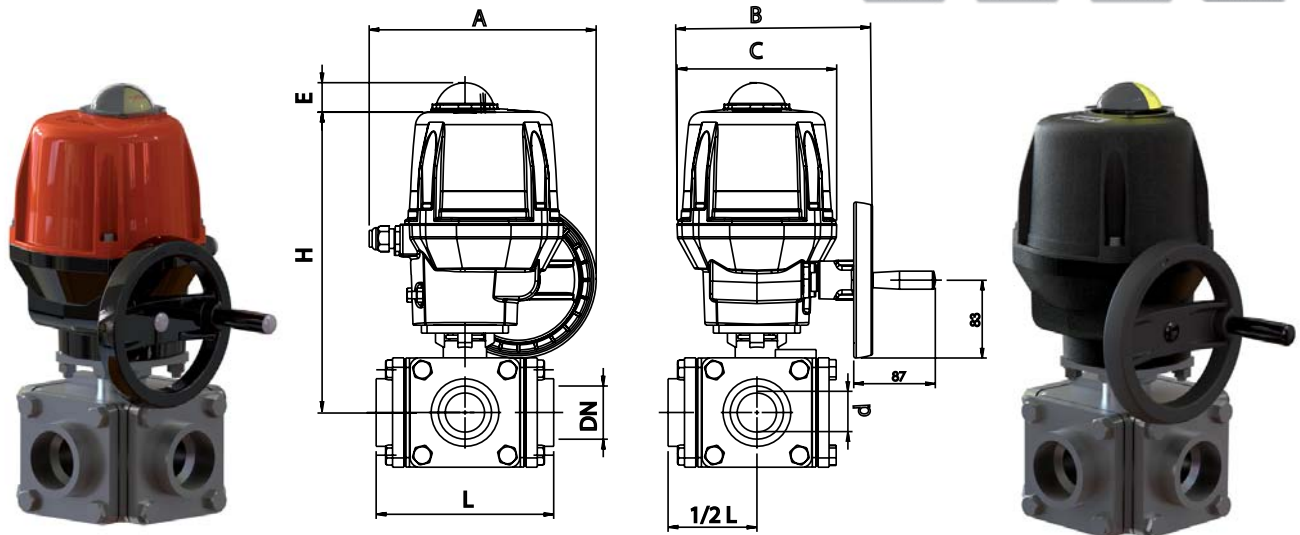
VRX



With electric actuator type VRX [mm]				ATEX-II 2 GD Ex d IIB T6, IP68, duty rating 50%(IEC34), Temperature -20 to +70 °C											
DN (d)	100V to 240V 50-60 Hz (100 to 350 V/DC)	15 to 30V 50/60Hz (12 to 48V/DC)	90° runtime	Watt	400 V 3 phase	90° runtime	Watt	Nm	A	C	D	E	H	L	Weight [kg]
DN15 (1/2")	VRX25.70A.G00	VRX25.70B.G00	7 s.	45	VRX25.709.R00	10 s.	52	25	225	170	201	24	269*	83	5,3
DN20 (3/4")	VRX25.70A.G00	VRX25.70B.G00	7 s.	45	VRX25.709.R00	10 s.	52	25	225	170	201	24	226	99	5,9
DN25 (1")	VRX45.70A.G00	VRX45.70B.G00	15 s.	45	VRX45.709.R00	10 s.	52	45	225	170	201	24	233	112	7,1
DN32 (1 1/4")	VRX75.70A.G00	VRX75.70B.G00	20 s.	45	VRX75.709.R00	15 s.	52	75	225	170	201	24	240	125	8,9
DN40 (1 1/2")	VRX75.70A.G00	VRX75.70B.G00	20 s.	45	VRX75.709.R00	15 s.	52	75	225	170	201	24	251	149	12,3

*= met 50 mm brugstuk.

VS-VSX



With electric actuator type VS [mm]				IP68, duty rating 50% (IEC34), Temperature -20 to +70 °C											
DN (d)	100V to 240V 50-60 Hz (100 to 350 V/DC)	15 to 30V 50/60Hz (12 to 48V/DC)	90° runtime	Watt	400 V 3 phase	90° runtime	Watt	Nm	A	C	D	E	H	L	Weight [kg]
DN50 (2")	VS150.90A.G00	VS150.90B.G00	30 s.	45	VS150.909.R00	20 s.	135	150	242	170	258	24	327	190	22'5

S350D 3-way ball valve SS316 - DN 15 up to DN 50

VSX



With electric actuator type VSX [mm]				ATEX-II 2 GD Ex d IIB T6, IP68, duty rating 50%(IEC34), Temperature -20 to +70 °C											
DN (d)	100V to 240V 50-60 Hz (100 to 350 V/DC)	15 to 30V 50/60Hz (12 to 48V/DC)	90° runtime	Watt	400 V 3 fase	90° runtime	Watt	Nm	A	C	D	E	H	L	Weight [kg]
DN50 (2")	VSX150.90A.G00	VSX150.90B.G00	30 s.	45	VSX150.909.R00	20 s.	135	150	242	170	258	24	327	190	22'5

VS



	With the Posi actuator you can make a simple control valve. It has the same functionality as the VS, with as extra a control function with which you can put the valve in every position wanted. The required controlsignal is 4-20 mA, 0-20 mA or 0-10 Volt.														
	With electric actuator type VS Plus Posi [mm]				IP68, duty rating S4 50% (IEC34), Temperature -20 to +70 °C										
DN (d)	100V to 240V 50-60 Hz (100 to 350 V/DC)	15 to 30V 50/60Hz (12 to 48V/DC)	90° runtime	Nm	Watt	A	B	C	D	E	H	L	Weight [kg]		
DN 50(2")	VS150.90A.GP5	VS150.90B.GP5	30 s.	150	45	242	170	258	24	327	190	155	12,5		

S13D SS316 3-piece ball valve - 1/2" up to 4"



Description

- 2-way ball valve with NPT, BSP female threaded or BW ends
- Full bore
- Body, ball and stem in SS316
- Mounting flange ISO 5211 for direct mounting pneumatic or electric actuator
- Seats PTFE
- Working pressure maximum 63 Barg
- Temperature -30° to + 180° C.
- Face to face according to DIN 3203 M4, for But weld ends according to DIN 3202 S13
- Blow-out proof stem, lockable lever
- Anti-static, suitable for vacuum

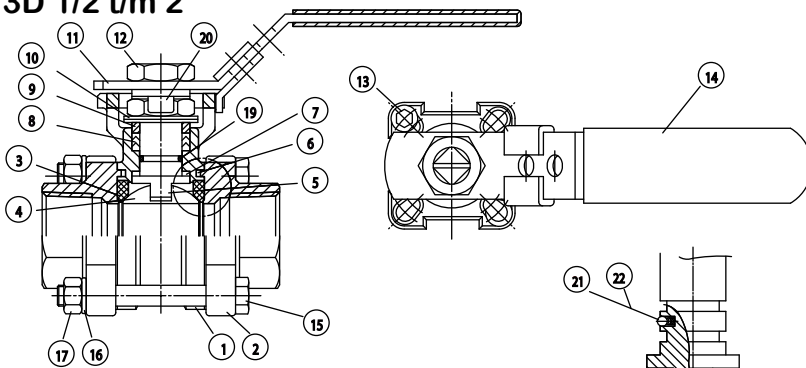
Options:

- Automatic electric or pneumatic actuation
- Socket weld or NPT female threaded ends
- Stem extension
- Fire safe version according to API607 4th edition
- Veerretour hendel

Certificates:

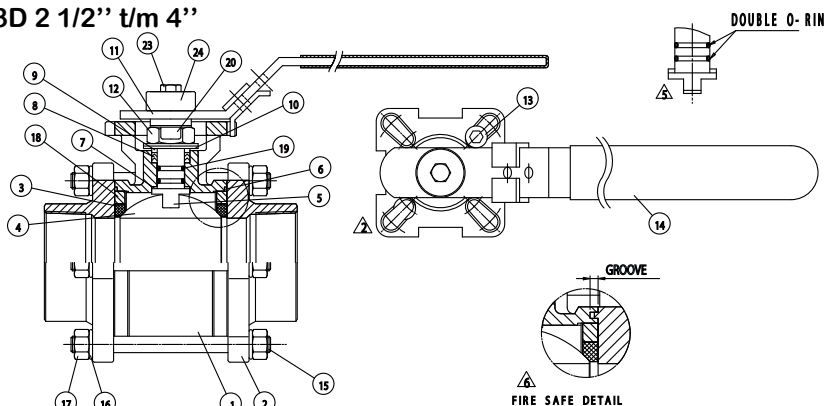
- 3.1 Material certificate
- CE declaration
- Fire safe according to API607 4th edition
- TA-Luft declaration

S13D 1/2" t/m 2"

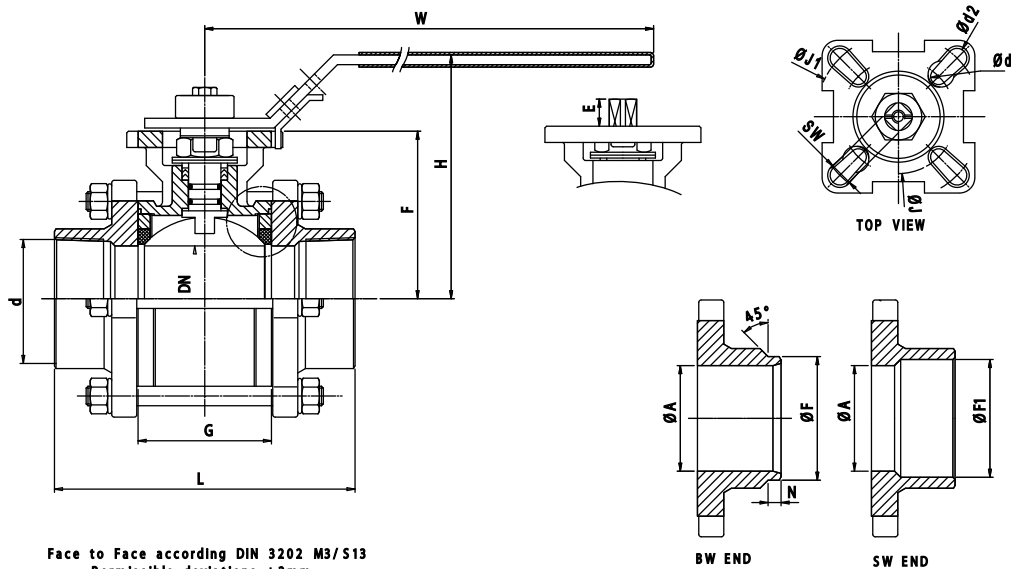
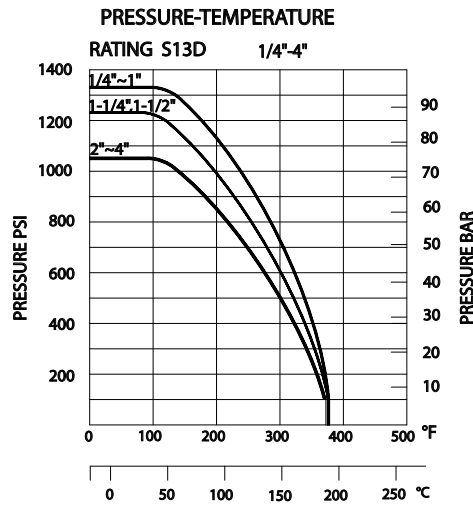


Item	Description	Material	
		Standard	Fire safe
1	Body	SS316	SS316
2	End cap	SS316	SS316
3	Seat	PTFE	PTFE
4	Ball	SS316	SS316
5	Stem	SS316	SS316
6	Packing	PTFE	Graphite
7	Seal	PTFE	PTFE
8	Seal	PTFE	Graphite
9	Gland	SS304	SS304
10	Spring disc	SS	SS
11	Lever	SS	SS
12	Nut	SS	SS
13	Bolt	SS	SS
14	Grip	PVC	PVC
15	Bolts	SS	SS
16	Washer	SS	SS
17	Nut	SS	SS
18	Center ring	SS	SS
19	O-ring	Viton®	Viton®
20	Locking device	SS	SS
21	Spring	SS316	SS316
22	Ball	SS316	SS316
23	Bolt	SS	SS
24	Washer	SS	SS

S13D 2 1/2" t/m 4"

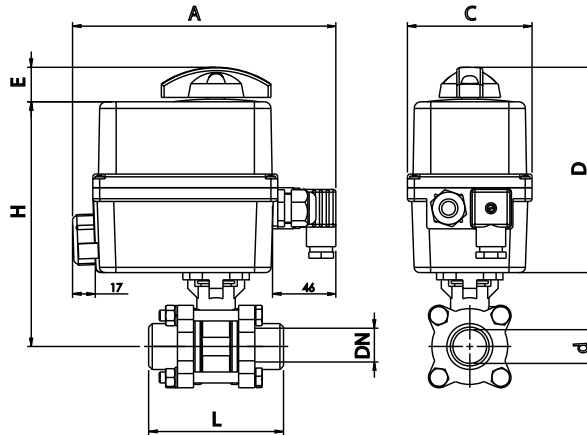


S13D SS316 3-piece ball valve - 1/2" up to 4"



Dimensions 1/2" up to 4" [mm]									
	1/2"	3/4"	1"	1 1/4"	1 1/2"	2"	2 1/2"	3"	4"
d	16	20	24.5	32	38	50	65	80	100
DN	16	20	24.5	32	38	50	65	80	100
L BSP	75	80	90	110	125	150	185	205	240
L-BW	75	90	100	110	125	150	190	220	270
H	70.9	73.4	84.1	98.3	109.5	110.9	155	165	180
W	110	110	135	135	165	165	300	335	335
G ?	25.2	27.7	33	41.2	49.3	63.6	82.1	95.8	117.8
J = ØP-ISO	36	36	42	42	50	50	70	70	70
J1 = ØP-ISO	42	42	50	50	70	70	102	102	102
d1	6	6	6	6	7	7	9	9	9
d2	6	6	7	7	9	9	11	11	11
SW	9	9	11	11	14	14	17	17	17
E	8	8	10	10	14.8	14.8	17.1	17.1	17.1
F	17	22	28	37	43	54	76.1	88.9	114.3
F1	21.3	26.9	33.7	42.4	48.3	60.3	77	90	115.5
Weight [kg]	0.596	0.871	1.359	2.009	2.904	4.669	10.34	15.26	24.6

S13D SS316 3-piece ball valve - 1/2" up to 4"



ER PREMIER

Indice de protection
IP65
Enclosure

Facteur de marche
30%
Duty rating

SECURED
MANUAL
OVERRIDE

Standard 2 potential free contacts to make an signal to see if valve has reached the open-or closed position.

With electric actuator type ER Premier [mm]					IP65, duty rating 30% (IEC34), Temperature -10 to +55 °C									
DN (d)	100V to 240V 50-60 Hz (100 to 350 V/DC)	90° runtime	24V 50/60Hz (24V/DC)	90° runtime	Nm	Watt	A	C	D	E	H	L BSP	L BW	Weight [kg]
DN15 (1/2")	ER20.X0A.M00	13 s.	ER20.X03.M00	13 s.	20	15	194	92	152	28	141	75	75	1,6
DN20 (3/4")	ER20.X0A.M00	13 s.	ER20.X03.M00	13 s.	20	15	194	92	152	28	146	80	90	1,9
DN25 (1")	ER20.X0A.M00	13 s.	ER20.X03.M00	13 s.	20	15	209	128	176	24	152	90	100	2,4
DN32 (1 1/4")	ER35.90A.M00	8 s.	ER35.903.M00	8 s.	35	45	209	128	176	24	189	110	110	4,1
DN40 (1 1/2")	ER60.90A.M00	15 s.	ER60.903.M00	13 s.	60	45	209	128	176	24	195	125	125	5
DN50 (2")	ER60.90A.M00	15 s.	ER60.903.M00	13 s.	60	45	209	128	176	24	206	150	150	6,7
DN65 (2 1/2")	ER100.90A.M00	25 s.	ER100.903.M00	22 s.	100	45	209	128	176	24	229	185	190	12,5
DN80 (3")	ER100.90A.M00	25 s.	ER100.903.M00	22 s.	100	45	209	128	176	24	241	205	220	17,3

ER PLUS

Indice de protection
IP66
Enclosure

Facteur de marche
50%
Duty rating

Résistance de série
Resistor as standard

SECURED
MANUAL
OVERRIDE

FAILURE
REPORT

ER plus has extra, standard: anti-condensation heater, torque limiter by software and an motor failure feedback relay..

With electric actuator type ER Plus [mm]					IP66, duty rating S4 50% (IEC34), Temperature -10 to +55 °C									
DN (d)	100V to 240V 50-60 Hz (100 to 350 V/DC)	90° runtime	15 to 30V 50/60Hz (12 to 48V/DC)	90° runtime	Nm	Watt	A	C	D	E	H	L BSP	L BW	Weight [kg]
DN15 (1/2")	ER10.X0A.G00	11 s.	ER10.X0B.G00	11 s.	10	15	194	92	148	24	141	75	75	1,6
DN20 (3/4")	ER10.X0A.G00	11 s.	ER10.X0B.G00	11 s.	10	15	194	92	148	24	146	80	90	1,9
DN25 (1")	ER20.X0A.G00	12 s.	ER20.X0B.G00	12 s.	20	15	194	92	148	24	152	90	100	2,4
DN32 (1 1/4")	ER35.X0A.G00	26 s.	ER35.X0B.G00	24 s.	35	15	209	128	176	24	161	110	110	3,1
	ER35.90A.G00	7 s.	ER35.90B.G00	7 s.	35	45	209	128	176	24	189			4,1
	ER35.93A.G00	40 s.	ER35.93B.G00	41 s.	35	45	209	128	176	24	189			4,1
DN40 (1 1/2")	ER60.90A.G00	12 s.	ER60.90B.G00	7 s.	60	45	209	128	176	24	195	125	125	5
	ER60.93A.G00	79 s.	ER60.93B.G00	79 s.	60	45	209	128	176	24	195			5
DN50 (2")	ER60.90A.G00	12 s.	ER60.90B.G00	12 s.	60	45	209	128	176	24	206	150	150	6,7
	ER60.93A.G00	79 s.	ER60.93B.G00	79 s.	60	45	209	128	176	24	206			6,7
DN65 (2 1/2")	ER100.90A.G00	25 s.	ER100.90B.G00	22 s.	100	45	209	128	176	24	229	185	190	12,5
	ER100.93A.G00	119 s.	ER100.93B.G00	119 s.	100	45	209	128	176	24	229			12,5
DN80 (3")	ER100.90A.G00	25 s.	ER100.90B.G00	22 s.	100	45	209	128	176	24	241	105	220	17,3
	ER100.93A.G00	119 s.	ER100.93B.G00	119 s.	100	45	209	128	176	24	241			17,3

S13D SS316 3-piece ball valve - 1/2" up to 4"

ER PLUS

Indice de protection
IP66
Enclosure

Facteur de marche
50%
Duty rating

Résistance de série
Resistor as standard

SECURED MANUAL OVERRIDE

FAILURE REPORT

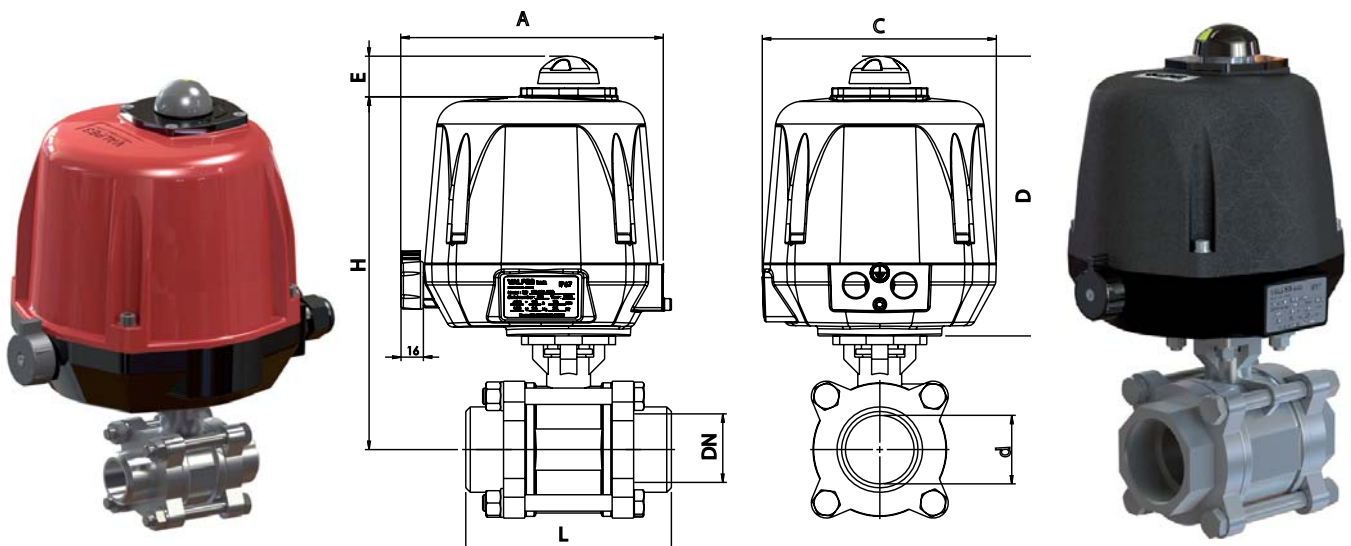
Positionnement POSI Positioning	With the Posi actuator you can make a simple control valve. It has the same functionality as the ER plus, with as extra a control function with which you can put the valve in every position wanted. The required controlsignal is 4-20 mA, 0-20 mA or 0-10 Volt.
-----------------------------------------------------	--------------------------------------------------------------------------------------------------------------------------------------------------------------------------------------------------------------------------------------------------------------------

With electric actuator type ER Plus Posi [mm]					IP66, duty rating S4 50% (IEC34), Temperature -10 to +55 °C									
DN (d)	100V to 240V 50-60 Hz (100 to 350 V/DC)	90° runtime	15 to 30V 50/60Hz (12 to 48V/DC)	90° runtime	Nm	Watt	A	C	D	E	H	L BSP	L BW	Weight [kg]
DN15 (1/2")	ER20.X3A.GP6	25 s.	ER20.X3B.GP6	25 s.	20	15	194	92	148	24	165	75	75	1,6
DN20 (3/4")	ER20.X3A.GP6	25 s.	ER20.X3B.GP6	25 s.	20	15	194	92	148	24	170	80	90	1,9
DN25 (1")	ER35.93A.GP6	40 s.	ER35.93B.GP6	41 s.	35	45	209	128	176	24	180	90	100	3,5
DN32 (1 1/4")	ER60.93A.GP6	79 s.	ER60.93B.GP6	79 s.	60	45	209	128	176	24	189	110	110	4,1
DN40 (1 1/2")	ER100.93A.GP6	119 s.	ER100.93B.GP6	119 s.	100	45	209	128	176	24	195	125	125	5
DN50 (2")	ER100.93A.GP6	119 s.	ER100.93B.GP6	119 s.	100	45	209	128	176	24	206	150	150	6,7

Système sécurité FAIL SAFE Security system	Has the same functionality like ER Plus, with an addition of an failsafe function to let the valve turn to a safety position in case of power failure. Therefore there is build inside the actuator an batterypack
----------------------------------------------------------------	--------------------------------------------------------------------------------------------------------------------------------------------------------------------------------------------------------------------

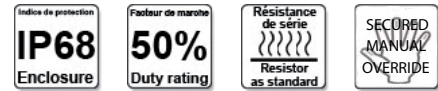
With electric actuator type ER Plus Failsafe [mm]					IP66, duty rating S4 50% (IEC34), Temperature -10 to +40 °C									
DN (d)	100V to 240V 50-60 Hz (100 to 350 V/DC)	90° runtime	15 to 30V 50/60Hz (12 to 48V/DC)	90° runtime	Nm	Watt	A	C	D	E	H	L BSP	L BW	Weight [kg]
DN15 (1/2")	ER10.X0A.GS2	11 s.	ER10.X0B.GS2	11 s.	10	15	194	92	148	24	165	75	75	1,6
DN20 (3/4")	ER10.X0A.GS2	11 s.	ER10.X0B.GS2	11 s.	10	15	194	92	148	24	170	80	90	1,9
DN25 (1")	ER20.X0A.GS2	12 s.	ER20.X0B.GS2	12 s.	20	15	194	92	148	24	176	90	100	3,5
DN32 (1 1/4")	ER35.90A.GS2	7 s.	ER20.X0B.GS2	7 s.	20	45	194	92	148	24	189	110	110	4,1
	ER35.93A.GS2	40 s.	ER35.93B.GS2	41 s.	35	45	209	128	176	24	189			4,1
DN40 (1 1/2")	ER60.90A.GS2	12 s.	ER60.90B.GS2	12 s.	60	45	209	128	176	24	195	125	125	5
	ER60.93A.GS2	79 s.	ER60.93B.GS2	79 s.	60	45	209	128	176	24	195			5
DN50 (2")	ER60.90A.GS2	12 s.	ER60.90B.GS2	12 s.	60	45	209	128	176	24	206	150	150	6,7
	ER60.93A.GS2	79 s.	ER60.93B.GS2	79 s.	60	45	209	128	176	24	206			6,7
DN65 (2 1/2")	ER100.90A.GS2	23 s.	ER100.90B.GS2	22 s.	100	45	209	128	176	24	229	185	190	12,4
	ER100.93A.GS2	119s.	ER100.93B.GS2	119 s.	100	45	209	128	176	24				12,4
DN80 (3")	ER100.90A.GS2	23 s.	ER100.90B.GS2	22 s.	100	45	209	128	176	24		205	220	17,4
	ER100.93A.GS2	119s.	ER100.93B.GS2	119 s.	100	45	209	128	176	24				17,4

VR



S13D SS316 3-piece ball valve - 1/2" up to 4"

VR



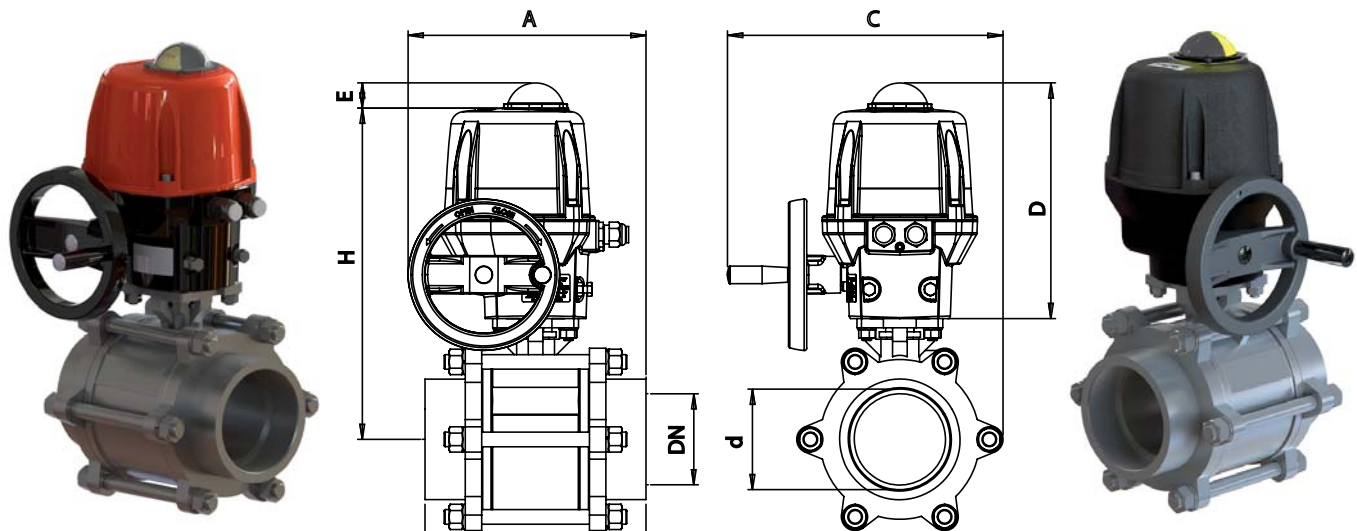
With electric actuator type VR [mm]				IP68, duty rating 50% (IEC34), Temperature -20 to +70 °C												
DN (d)	100V to 240V 50-60 Hz (100 to 350 V/DC)	15 to 30V 50/60Hz (12 to 48V/DC)	90° runtime	Watt	400 V 3 phase	90° runtime	Watt	Nm	A	C	D	E	H	L BSP	L BW	Weight [kg]
DN15 (1/2")	VR25.70A.G00	VR25.70B.G00	7 s.	45	VR25.709.R00	10 s.	52	25	225	170	201	24	244*	75	75	3,7
DN20 (3/4")	VR25.70A.G00	VR25.70B.G00	7 s.	45	VR25.709.R00	10 s.	52	25	225	170	201	24	249*	80	90	3,9
DN25 (1")	VR25.70A.G00	VR25.70B.G00	7 s.	45	VR25.709.R00	10 s.	52	25	225	170	201	24	205	90	100	4,5
DN32 (1 1/4")	VR45.70A.G00	VR45.70B.G00	15 s.	45	VR25.709.R00	10 s.	52	25	225	170	201	24	214	110	110	5,2
DN40 (1 1/2")	VR75.70A.G00	VR75.70B.G00	20 s.	45	VR75.709.R00	15 s.	52	25	225	170	201	24	220	125	125	6
DN50 (2")	VR75.70A.G00	VR75.70B.G00	20 s.	45	VR75.709.R00	15 s.	52	25	225	170	201	24	231	150	150	7,8

VRX

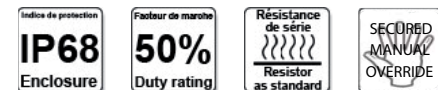


With electric actuator type VRX [mm]				ATEX-II 2 GD Ex d IIB T6, IP68, duty rating 50%(IEC34), Temperature -20 up to +70 °C												
DN (d)	100V to 240V 50-60 Hz (100 to 350 V/DC)	15 to 30V 50/60Hz (12 to 48V/DC)	90° runtime	Watt	400 V 3 phase	90° runtime	Watt	Nm	A	C	D	E	H	L BSP	L BW	Weight [kg]
DN15 (1/2")	VRX25.70A.G00	VRX25.70B.G00	7 s.	45	VRX25.709.R00	10 s.	52	25	225	170	201	24	244*	75	75	3,7
DN20 (3/4")	VRX25.70A.G00	VRX25.70B.G00	7 s.	45	VRX25.709.R00	10 s.	52	25	225	170	201	24	249*	80	90	3,9
DN25 (1")	VRX25.70A.G00	VRX25.70B.G00	7 s.	45	VRX25.709.R00	10 s.	52	25	225	170	201	24	205	90	100	4,5
DN32 (1 1/4")	VRX45.70A.G00	VRX45.70B.G00	15 s.	45	VRX25.709.R00	10 s.	52	25	225	170	201	24	214	110	110	5,2
DN40 (1 1/2")	VRX75.70A.G00	VRX75.70B.G00	20 s.	45	VRX75.709.R00	15 s.	52	75	225	170	201	24	220	125	125	6
DN50 (2")	VRX75.70A.G00	VRX75.70B.G00	20 s.	45	VRX75.709.R00	15 s.	52	75	225	170	201	24	231	150	150	7,8

*= with 50 mm bracket and adapter in SS



VS-VSX



With electric actuator type VS [mm]				IP68, duty rating 50% (IEC34), Temperature -20 to +70 °C												
DN (d)	100V to 240V 50-60 Hz (100 to 350 V/DC)	15 to 30V 50/60Hz (12 to 48V/DC)	90° runtime	Watt	400 V 3 phase	90° runtime	Watt	Nm	A	C	D	E	H	L BSP	L BW	Weight. [kg]
DN65 (2 1/2")	VS100.90A.G00	VS100.90B.G00	15s	45	VS100.909.R00	10 s.	135	100	225	170	201	24	311	185	190	15,5
DN80 (3")	VS100.90A.G00	VS100.90B.G00	15s	45	VS100.909.R00	10 s.	135	100	225	170	201	24	324	205	220	20,3
DN100 (4")	VS150.90A.G00	VS150.90B.G00	30s	45	VS150.909.R00	20 s.	135	150	225	170	201	24	349	240	270	29,7

S13D SS316 3-piece ball valve - 1/2" up to 4"

VSX



With electric actuator type VSX [mm]				ATEX-II 2 GD Ex d IIB T6, IP68, duty rating 50%(IEC34), Temperature -20 to +70 °C													
DN (d)	100V to 240V 50-60 Hz (100 to 350 V/DC)	15 to 30V 50/60Hz (12 to 48V/DC)	90° runtime	Watt	400 V 3 phase	90° runtime	Watt	Nm	A	C	D	E	H	L BSP	L BW	Weight kg	
DN65 (2 1/2")	VSX100.90A.G00	VSX100.90B.G00	15s	45	VSX100.909.R00	10 s.	135	100	225	170	201	24	311	185	190	15,5	
DN80 (3")	VSX100.90A.G00	VSX100.90B.G00	15s	45	VSX100.909.R00	10 s.	135	100	225	170	201	24	324	205	220	20,3	
DN100 (4")	VSX150.90A.G00	VSX150.90B.G00	30s	45	VSX150.909.R00	20 s.	135	150	225	170	201	24	349	240	270	29,7	

VS



	<p>With the Posi actuator you can make a simple control valve. It has the same functionality as the VS, with as extra a control function with which you can put the valve in every position wanted. The required controlsignal is 4-20 mA, 0-20 mA or 0-10 Volt.</p>																
With electric actuator type VS Posi [mm]				IP68, duty rating S4 50% (IEC34), Temperature -20 to +70 °C													
DN (d)	100V to 240V 50-60 Hz (100 to 350 V/DC)	15 to 30V 50/60Hz (12 to 48V/DC)	90° run-time	Nm	Watt	A	B	C	D	E	H	L BSP NPT	L BW	Weight [kg]			
DN 65(2 1/2")	VS150.90B.GP5	VS150.90B.GP5	30 s.	150	45	225	275	170	201	24	311	185	190	15,5			
DN80 (3")	VS150.90B.GP5	VS150.90B.GP5	30 s.	150	45	225	275	170	201	24	324	205	220	20,3			
DN100(4")	VS300.90B.GP5	VS300.90B.GP5	60 s.	300	45	225	275	170	201	24	349	240	270	29,7			
	<p>Has the same functionality like VS, with an addition of an failsafe function to let the valve turn to a safety position in case of power failure. Therefore there is build inside the actuator an batterypack.</p>																
With electric actuator type VS Failsafe [mm]				IP68, duty rating S4 50% (IEC34), Temperature -10 to +40 °C													
DN (d)	100V to 240V 50-60 Hz (100 to 350 V/DC)	15 to 30V 50/60Hz (12 to 48V/DC)	90° run-time	Nm	Watt	A	B	C	D	E	H	L BSP NPT	L BW	Weight [kg]			
DN 100 (4")	VS150.90A.GS2	VS150.90B.GS2	30 s.	150	45	225	275	170	201	24	349	240	270	29,7			

S33D SS316 3-piece ball valve - 1/2" up to 2"



Description

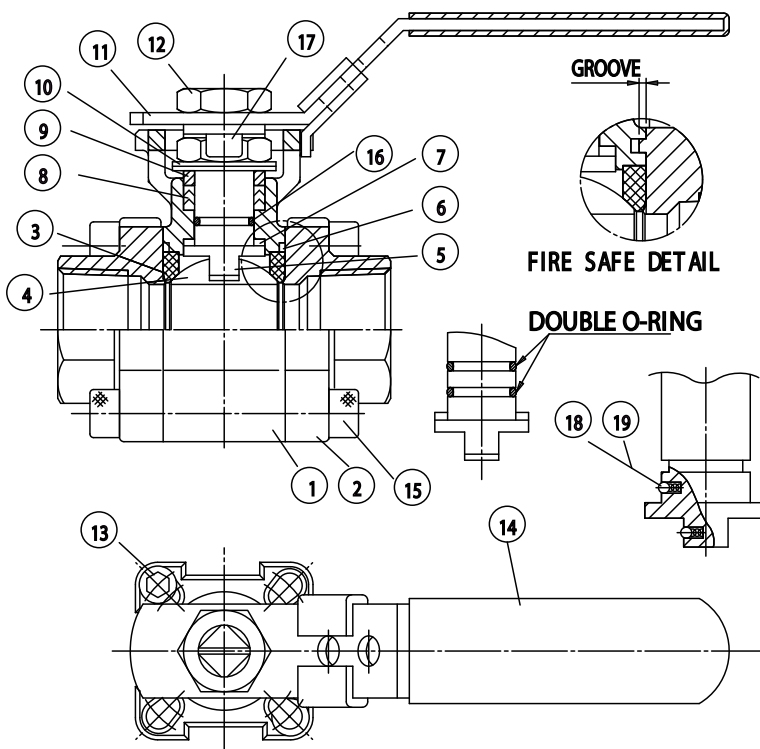
- 2-way ball valve with BSP female threat or BW ends
- Full bore
- Body, ball and stem SS316
- Mounting flange ISO 5211 for direct mounting pneumatic or electric actuator
- Seats PTFE
- Working pressure maximum 100 Barg
- Temperature -30° to + 180° C.
- Face to face BSP according DIN 3203 M4, for But weld ends according to DIN 3202 S13
- Blow-out proof stem, lockable lever
- Anti-static, suitable for vacuum

Options:

- Automatic electric or pneumatic actuation
- Socket weld or NPT female threaded ends
- Stem extension, Spring return lever
- Fire safe version according to API607 4th edition
- 2 1/2" and 3" version

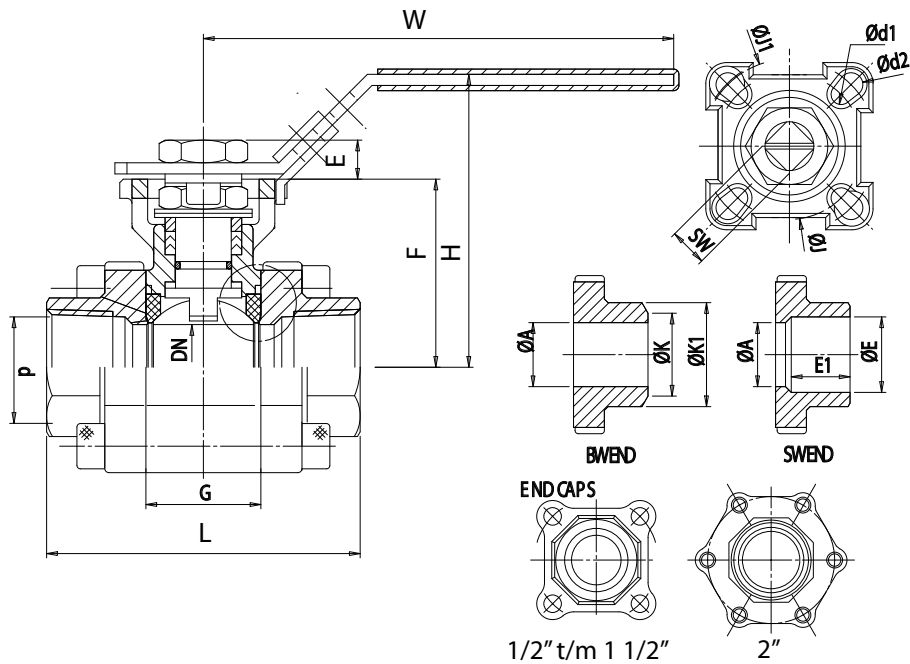
Certificats:

- 3.1 Material certificate
- CE declaration
- Fire safe according to API607 4th edition
- TA-Luft declaration



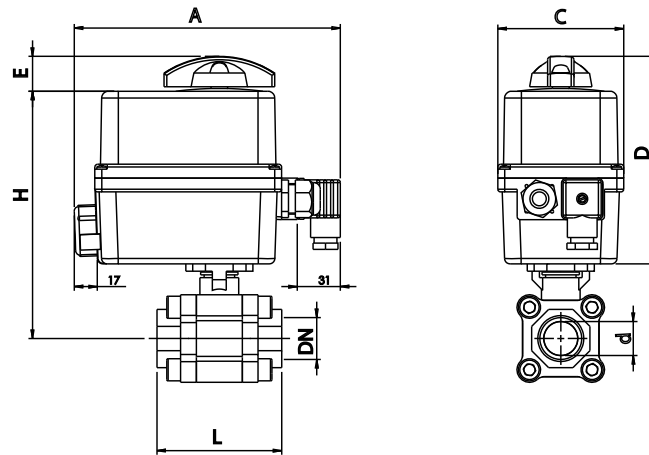
Item	Description	Material	
		Standard	Fire safe
1	Body	SS316	SS316
2	End cap	SS316	SS316
3	Seat	PTFE + 15% glassfiber filled	PTFE + 15% glassfiber filled
4	Ball	SS316	SS316
5	Stem	SS316	SS316
6	Packing	PTFE	Graphite
7	Thrust washer	PTFE	PTFE
8	Seal	PTFE	Graphite
9	Gland	SS304	SS304
10	Spring disc	SS	SS
11	Lever	SS	SS
12	Nut	SS	SS
13	Stop	SS	SS
14	Grip	PVC	PVC
15	Bolts	SS	SS
16	O-ring	Viton®	Viton®
17	Locking device	SS	SS
18	Ball	SS	SS
19	Spring	SS	SS

S33D SS316 3-piece ball valve - 1/2'' up to 2''



Dimensions 1/4" up to 2" [mm]						
d	1/2"	3/4"	1"	1 1/4"	1 1/2"	2"
DN	16	20	24.5	32	38	50
L-BSP	75	80	90	110	120	125
L-BW	75	90	100	110	125	150
H	70.9	73.4	84.1	98.3	109.5	118.9
W	110	110	135	135	165	165
G	25.2	27.7	33	41.2	49.3	63.6
J = ØP-ISO	36	36	42	42	50	50
J1 = ØP-ISO	42	42	50	50	70	70
d1	6	6	6	6	7	7
d2	6	6	7	7	9	9
SW	9	9	11	11	14	14
E	8	8	10	10	14.8	14.8
K	17	22	28	37	43	54
K1	21.3	26.9	33.7	42.4	48.3	60.3
F	42.3	44.8	54	59.2	73.5	82.9
Weight [kg]	0.826	1.014	1.698	2.575	3.707	6.58

S33D SS316 3-piece ball valve - 1/2'' up to 2''



ER PREMIER



Standard 2 potential free contacts to make an signal to see if valve has reached the open-or closed position.

With electric actuator type ER Premier [mm]					IP65, duty rating 30% (IEC34), Temperature -10 to +55 °C									
DN (d)	100V to 240V 50-60 Hz (100 to 350 V/DC)	90° runtime	24V 50/60Hz (24V/DC)	90° runtime	Nm	Watt	A	C	D	E	H	L BSP	L BW	Weight [kg]
DN15 (1/2")	ER20.X0A.M00	13 s.	ER20.X03.M00	13 s.	20	15	194	92	152	28	167	75	75	1,9
DN20 (3/4")	ER20.X0A.M00	13 s.	ER20.X03.M00	13 s.	20	15	194	92	152	28	169	80	90	2,1
DN25 (1")	ER20.X0A.M00	13 s.	ER20.X03.M00	13 s.	20	15	209	128	176	24	178	90	100	2,7
DN32 (1 1/4")	ER35.90A.M00	8 s.	ER35.903.M00	8 s.	35	45	209	128	176	24	212	110	110	4,7
DN40 (1 1/2")	ER60.90A.M00	15 s.	ER60.903.M00	13 s.	60	45	209	128	176	24	226	120	125	5,8
DN50 (2")	ER60.90A.M00	15 s.	ER60.903.M00	13 s.	60	45	209	128	176	24	236	125	150	8,7

ER PLUS



ER plus has extra, standard: anti-condensation heater, torque limiter by software and an motor failure feedback relay.

With electric actuator type ER Plus [mm]					IP66, duty rating S4 50% (IEC34), Temperature -10 to +55 °C									
DN (d)	100V to 240V 50-60 Hz (100 to 350 V/DC)	90° runtime	15 to 30V 50/60Hz (12 to 48V/DC)	90° runtime	Nm	Watt	A	C	D	E	H	L BSP	L BW	Weight [kg]
DN15 (1/2")	ER10.X0A.G00	11 s.	ER10.X0B.G00	11 s.	10	15	194	92	148	24	167	75	75	1,9
DN20 (3/4")	ER10.X0A.G00	11 s.	ER10.X0B.G00	11 s.	10	15	194	92	148	24	169	80	90	2,1
DN25 (1")	ER20.X0A.G00	12 s.	ER20.X0B.G00	12 s.	20	15	194	92	148	24	178	90	100	2,7
DN32 (1 1/4")	ER35.X0A.G00	26 s.	ER35.X0B.G00	24 s.	35	15	194	92	148	24	212	110	110	3,6
	ER35.90A.G00	7 s.	ER35.90B.G00	7 s.	35	45	209	128	176	24	212			4,7
	ER35.93A.G00	40 s.	ER35.93B.G00	41 s.	35	45	209	128	176	24	212			4,7
DN40 (1 1/2")	ER60.90A.G00	12 s.	ER60.90B.G00	12 s.	60	45	209	128	176	24	226	120	125	5,8
	ER60.93A.G00	79 s.	ER60.93B.G00	79 s.	60	45	209	128	176	24	226			5,8
DN50 (2")	ER60.90A.G00	12 s.	ER60.90B.G00	12 s.	60	45	209	128	176	24	236	125	150	8,7
	ER60.93A.G00	79 s.	ER60.93B.G00	79 s.	60	45	209	128	176	24	236			8,7

S33D SS316 3-piece ball valve - 1/2" up to 2"

ER PLUS



POSI
Positioning

With the Posi actuator you can make a simple control valve. It has the same functionality as the ER plus, with as extra a control function with which you can put the valve in every position wanted. The required controlsignal is 4-20 mA, 0-20 mA or 0-10 Volt.

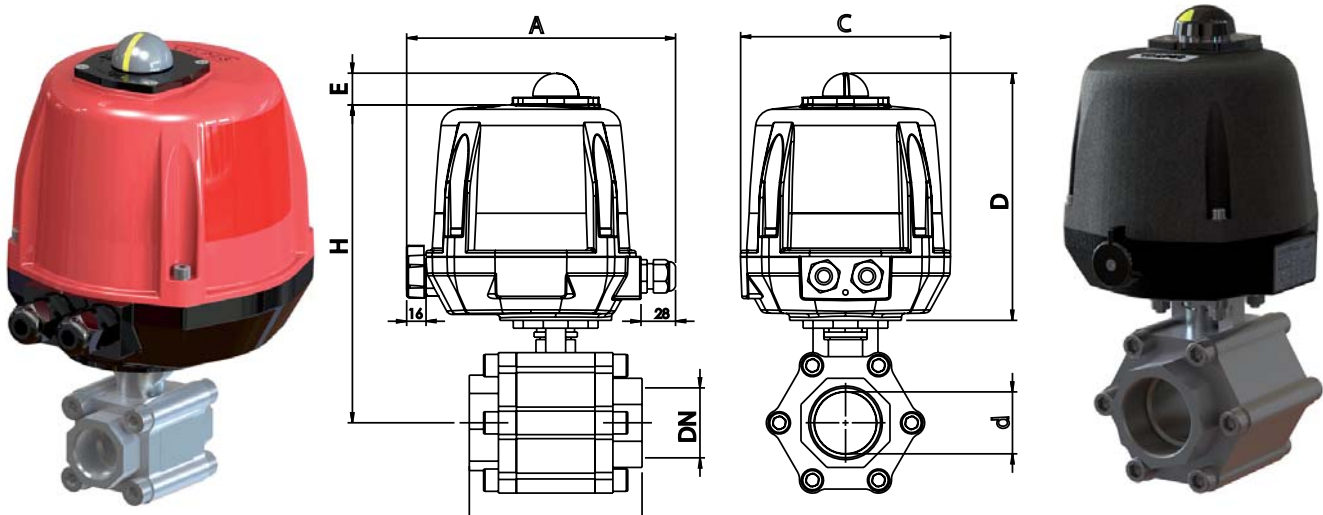
With electric actuator type ER Plus Posi [mm]					P66, duty rating S4 50% (IEC34), Temperature -10 to +55 °C									
DN (d)	100V to 240V 50-60 Hz (100 to 350 V/DC)	90° runtime	15 to 30V 50/60Hz (12 to 48V/DC)	90° runtime	Nm	Watt	A	C	D	E	H	L BSP	L BW	Weight [kg]
DN15 (1/2")	ER20.X3A.GP6	25 s.	ER20.X3B.GP6	25 s.	20	15	194	92	148	24	167	75	75	1,9
DN20 (3/4")	ER20.X3A.GP6	25 s.	ER20.X3B.GP6	25 s.	20	15	194	92	148	24	169	80	90	2,1
DN25 (1")	ER35.93A.GP6	40 s.	ER35.93B.GP6	41 s.	35	45	209	128	176	24	206	90	100	3,8
DN32 (1 1/4")	ER60.93A.GP6	79 s.	ER60.93B.GP6	79 s.	60	45	209	128	176	24	211	110	110	4,7
DN40 (1 1/2")	ER100.93A.GP6	119 s.	ER100.93B.GP6	119 s.	100	45	209	128	176	24	226	120	125	5,8
DN50 (2")	ER100.93A.GP6	119 s.	ER100.93B.GP6	119 s.	100	45	209	128	176	24	235	125	150	8,7

FAIL SAFE
Security system

Has the same functionality like ER Plus, with an addition of an failsafe function to let the valve turn to a safety position in case of power failure. Therefore there is build inside the actuator an batterypack.

With electric actuator type ER Plus Failsafe [mm]					P66, duty rating S4 50% (IEC34), Temperature -10 to +40 °C									
DN (d)	100V to 240V 50-60 Hz (100 to 350 V/DC)	90° runtime	15 to 30V 50/60Hz (12 to 48V/DC)	90° runtime	Nm	Watt	A	C	D	E	H	L BSP	L BW	Weight [kg]
DN15 (1/2")	ER10.X0A.GS2	11 s.	ER10.X0B.GS2	11 s.	10	15	194	92	148	24	167	75	75	1,9
DN20 (3/4")	ER10.X0A.GS2	11 s.	ER10.X0B.GS2	11 s.	10	15	194	92	148	24	169	80	90	2,1
DN25 (1")	ER20.X0A.GS2	12 s.	ER20.X0B.GS2	12 s.	20	15	194	92	148	24	178	90	100	3,8
DN32 (1 1/4")	ER35.90A.GS2	7 s.	ER35.90B.GS2	7 s.	35	45	209	128	176	24	212	110	110	4,7
	ER35.93A.GS2	40 s.	ER35.93B.GS2	41 s.	35	45	209	128	176	24	212			4,7
DN40 (1 1/2")	ER60.90A.GS2	12 s.	ER60.90B.GS2	12 s.	35	45	209	128	176	24	226	120	125	5,8
	ER60.93A.GS2	79 s.	ER60.93B.GS2	79 s.	60	45	209	128	176	24	226			5,8
DN50 (2")	ER60.90A.GS2	12 s.	ER60.90B.GS2	12 s.	35	45	209	128	176	24	235	125	150	8,7
	ER60.93A.GS2	79 s.	ER60.93B.GS2	79 s.	60	45	209	128	176	24	235			8,7

VR-VRX



S33D SS316 3-piece ball valve - 1/2'' up to 2''

VR



With electric actuator type VR [mm]				IP68, duty rating 50% (IEC34), Temperature -20 to +70 °C													
DN (d)	100V to 240V 50-60 Hz (100 to 350 V/DC)	15 to 30V 50/60Hz (12 to 48V/DC)	90° runtime	Watt	400 V 3 phase	90° runtime	Watt	Nm	A	C	D	E	H	L BSP	L BW	Weight [kg]	
DN15 (1/2")	VR25.70A.G00	VR25.70B.G00	7 s.	45	VR25.709.R00	10 s.	52	25	225	170	201	24	270*	75	75	3,9	
DN20 (3/4")	VR25.70A.G00	VR25.70B.G00	7 s.	45	VR25.709.R00	10 s.	52	25	225	170	201	24	272*	80	90	4,2	
DN25 (1")	VR25.70A.G00	VR25.70B.G00	7 s.	45	VR25.709.R00	10 s.	52	25	225	170	201	24	231	90	100	4,8	
DN32 (1 1/4")	VR45.70A.G00	VR45.70B.G00	15 s.	45	VR25.709.R00	10 s.	52	45	225	170	201	24	236	110	110	5,7	
DN40 (1 1/2")	VR75.70A.G00	VR75.70B.G00	20 s.	45	VR75.709.R00	15 s.	52	75	225	170	201	24	241	120	125	6,9	
DN50 (2")	VR75.70A.G00	VR75.70B.G00	20 s.	45	VR75.709.R00	15 s.	52	75	225	170	201	24	260	125	150	9,7	

VRX



With electric actuator type VRX [mm]				ATEX-II 2 GD Ex d IIB T6, IP68, duty rating 50%(IEC34), Temperature -20 up to +70 °C													
DN (d)	100V to 240V 50-60 Hz (100 to 350 V/DC)	15 to 30V 50/60Hz (12 to 48V/DC)	90° runtime	Watt	400 V 3 phase	90° runtime	Watt	Nm	A	C	D	E	H	L BSP	L BW	Weight [kg]	
DN15 (1/2")	VRX25.70A.G00	VRX25.70B.G00	7 s.	45	VRX25.709.R00	10 s.	52	25	225	170	201	24	270*	75	75	3,9	
DN20 (3/4")	VRX25.70A.G00	VRX25.70B.G00	7 s.	45	VRX25.709.R00	10 s.	52	25	225	170	201	24	272*	80	90	4,2	
DN25 (1")	VRX25.70A.G00	VRX25.70B.G00	7 s.	45	VRX25.709.R00	10 s.	52	25	225	170	201	24	231	90	100	4,8	
DN32 (1 1/4")	VRX45.70A.G00	VRX45.70B.G00	15 s.	45	VRX25.709.R00	10 s.	52	45	225	170	201	24	236	110	110	5,7	
DN40 (1 1/2")	VRX75.70A.G00	VRX75.70B.G00	20 s.	45	VRX75.709.R00	15 s.	52	75	225	170	201	24	241	120	125	6,9	
DN50 (2")	VRX75.70A.G00	VRX75.70B.G00	20 s.	45	VRX75.709.R00	15 s.	52	75	225	170	201	24	260	125	150	9,7	

*= with 50 mm bracket and adapter in SS

S15D SS316 Wafer type ball valve PN16 - DN 15 up to DN 100



Description

- 2-way wafer type ball valve with flange connection PN16
- Full bore
- Body, ball and stem SS316
- Mounting flange ISO 5211 for direct mounting pneumatic or electric actuators
- Seats and seals PTFE
- Pressure class PN16, flanged RF DIN2501
- Blow-out proof stem, lockable lever
- Suitable for vacuum
- Anti-static
- Temperature -30° C up to 180° C.

Options:

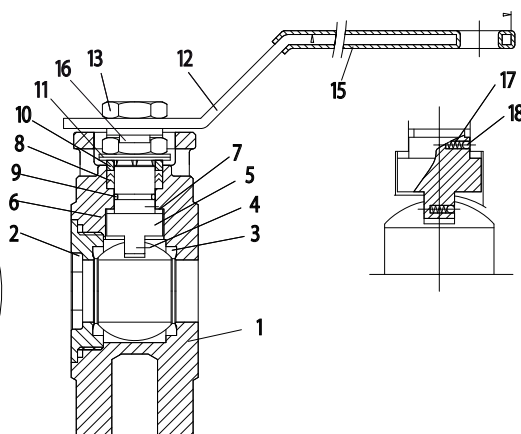
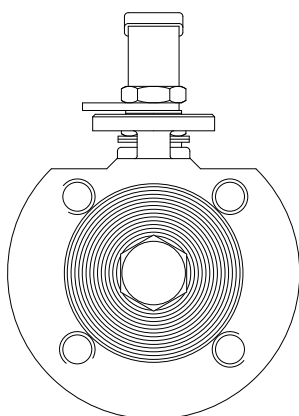
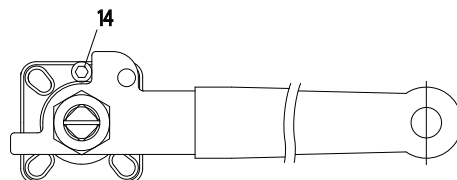
- Automatic electric or pneumatic actuation
- Stem extension TFM seats
- Endswitches Peek seats
- Carbon steel version type C15D Integral seats
- Spring return lever

Certificats:

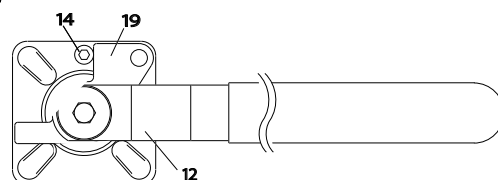
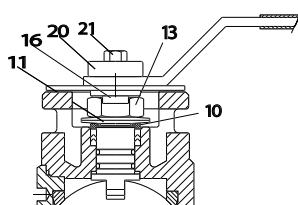
- 3.1 Material certificate
- CE declaration
- TA-Luft declaration

DN15 t/m 50

DOUBLE O-RING

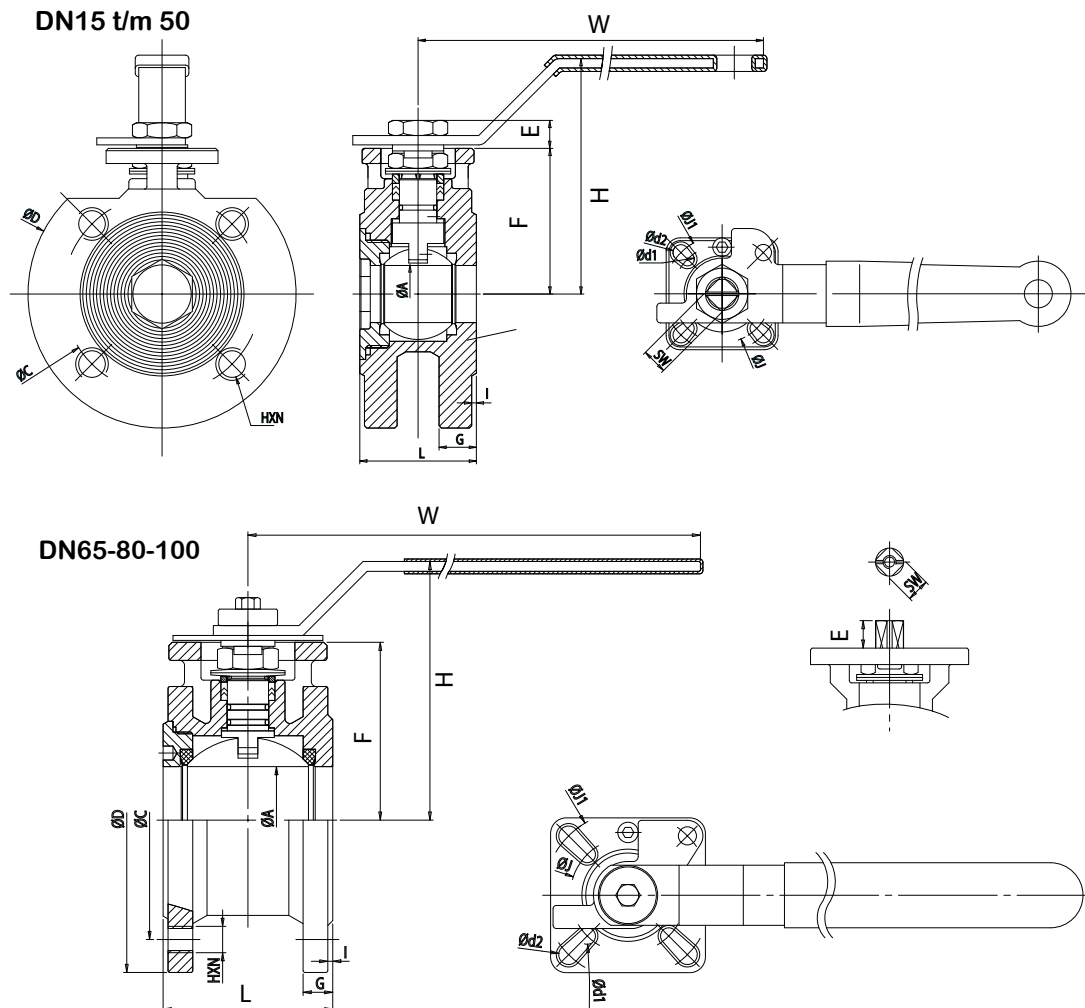


DN 65-80-100



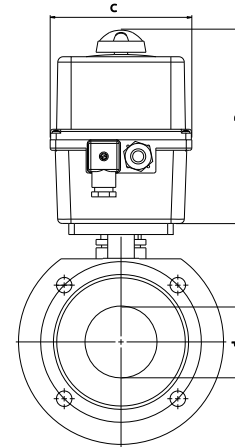
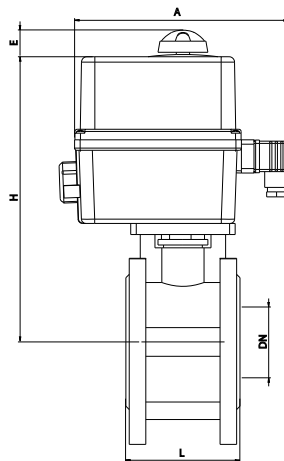
Item	Description	Material S15D	Material C15D
1	Body	SS316	Carbon steel
2	Insert	SS316	Carbon steel
3	Seat	PTFE	PTFE
4	Ball	SS316	SS316
5	Stem	SS316	SS316
6	Body packing	PTFE	PTFE
7	Seal	PTFE	PTFE
8	Seal	PTFE	PTFE
9	O-ring	Viton®	Viton®
10	Gland	SS	SS
11	Spring disc	SS	SS
12	Lever	SS	SS
13	Nut	SS	SS
14	Stop bolt	SS	SS
15	Grip	PVC	PVC
16	Locking tab	SS	SS
17	Spring	SS316	SS316
18	Ball	SS316	SS316
19	Stop plate	SS	SS
20	Spacer	SS	SS
21	Bolt	SS	SS

S15D SS316 Wafer type ball valve PN16 - DN 15 up to DN 100



Dimensions DN 15 up to DN 50 [mm]							DN 65 up to 100 [mm]		
DN	15	20	25	32	40	50	65	80	100
A	16	20	25	32	40	50	65	80	96
C	65	75	85	100	110	125	145	160	180
D	95	105	115	140	150	165	185	200	220
H	89	89	101	112	116	125	154	165	180
W	114	114	187	187	222	222	350	350	350
G	14	16	16	16	16	18	18	20	20
J	36	36	42	42	50	50	70	70	70
J1	42	42	50	50	70	70	102	102	102
d	6	6	6	6	7	7	9	9	9
d1	6	6	7	7	9	9	11	11	11
SW	9	9	11	11	14	14	17	17	17
H x N	M12x4	M12x4	M12x4	M16x4	M16x4	M16x4	M16x4	M16x8	M16x8
L	42	44	50	54	68	82	103	122	152
I	2	2	2	2	3	3	3	3	3
F	54	56	62.5	72	78	87.2	107	117.3	132.3
E	8	8	12	12	14.8	14.8	17.1	17.1	17.1
Weight [kg]	1.5	1.9	2.6	3.7	4.6	6.4	10.5	13.5	20

S15D SS316 Wafer type ball valve PN16 - DN 15 up to DN 100



ER PREMIER



Standard 2 potential free contacts to make an signal to see if valve has reached the open-or closed position.

With electric actuator type ER Premier [mm]					IP65, duty rating 30% (IEC34), Temperature -10 to +55 °C								
DN (d)	100V to 240V 50-60 Hz (100 to 350 V/DC)	90° runtime	24V 50/60Hz (24V/DC)	90° runtime	Nm	Watt	A	C	D	E	H	L	Weight [kg]
DN15 (1/2")	ER20.X0A.M00	13 s.	ER20.X03.M00	12 s.	20	15	194	92	152	28	178	42	2,5
DN20 (3/4")	ER20.X0A.M00	13 s.	ER20.X03.M00	13 s.	20	15	194	92	152	28	180	44	3
DN25 (1")	ER35.90A.M00	8 s.	ER35.903.M00	7 s.	35	45	209	128	176	24	215	50	4,6
DN32 (1 1/4")	ER35.90A.M00	8 s.	ER35.903.M00	8 s.	35	45	209	128	176	24	224	54	5,7
DN40 (1 1/2")	ER60.90A.M00	15 s.	ER60.903.M00	13 s.	60	45	209	128	176	24	230	68	6,6
DN50 (2")	ER60.90A.M00	15 s.	ER60.903.M00	13 s.	60	45	209	128	176	24	240	82	8,4
DN65 (2 1/2")	ER100.90A.M00	25 s.	ER100.903.M00	22 s.	100	45	209	128	176	24	259	103	12,5
DN80 (3")	ER100.90A.M00	25 s.	ER100.903.M00	22 s.	100	45	209	128	176	24	270	122	15,5

ER PLUS



ER plus has extra, standard: anti-condensation heater, torque limiter by software and an motor failure feedback relay.

With electric actuator type ER Plus [mm]					IP66, duty rating S4 50% (IEC34), Temperature -10 to +55 °C								
DN (d)	100V to 240V 50-60 Hz (100 to 350 V/DC)	90° runtime	15 to 30V 50/60Hz (12 to 48V/DC)	90° runtime	Nm	Watt	A	C	D	E	H	L	Weight [kg]
DN15 (1/2")	ER10.X0A.G00	11 s.	ER10.X0B.G00	11 s.	10	15	194	92	148	24	178	42	2,5
DN20 (3/4")	ER10.X0A.G00	11 s.	ER10.X0B.G00	11 s.	10	15	194	92	148	24	180	44	3
DN25 (1")	ER35.X0A.G00	26 s.	ER35.X0B.G00	24 s.	35	15	194	92	148	24	187	50	3,6
	ER35.90A.G00	7 s.	ER35.90B.G00	7 s.	35	45	209	128	176	24	215		4,6
	ER35.93A.G00	40 s.	ER35.93B.G00	41 s.	35	45	209	128	176	24	215		4,6
DN32 (1 1/4")	ER35.X0A.G00	26 s.	ER35.X0B.G00	24 s.	35	15	209	128	176	24	196	54	4,7
	ER35.90A.G00	7 s.	ER35.90B.G00	7 s.	35	45	209	128	176	24	224		5,7
	ER35.93A.G00	40 s.	ER35.93B.G00	41 s.	35	45	209	128	176	24	224		5,7
DN40 (1 1/2")	ER60.90A.G00	12 s.	ER60.90B.G00	12 s.	60	45	209	128	176	24	230	68	6,6
	ER60.93A.G00	79 s.	ER60.93B.G00	79 s.	60	45	209	128	176	24	230		6,6
DN50 (2")	ER60.90A.G00	12 s.	ER60.90B.G00	12 s.	60	45	209	128	176	24	240	82	8,4
	ER60.93A.G00	79 s.	ER60.93B.G00	79 s.	60	45	209	128	176	24	240		8,4
DN65 (2 1/2")	ER100.90A.G00	23 s.	ER100.90B.G00	22 s.	100	45	209	128	176	24	259	103	12,5
	ER100.93A.G00	119 s.	ER100.93B.G00	119 s.	100	45	209	128	176	24	259		12,5
DN80 (3")	ER100.90A.G00	23 s.	ER100.90B.G00	22 s.	100	45	209	128	176	24	270	122	15,5
	ER100.93A.G00	119 s.	ER100.93B.G00	119 s.	100	45	209	128	176	24	270		15,5

S15D SS316 Wafer type ball valve PN16 - DN 15 up to DN 100

ER PLUS

Indice de protection
IP66
Enclosure

Facteur de marche
50%
Duty rating

Résistance de série
Resistor
as standard

SECURED
MANUAL
OVERRIDE

FAILURE
REPORT

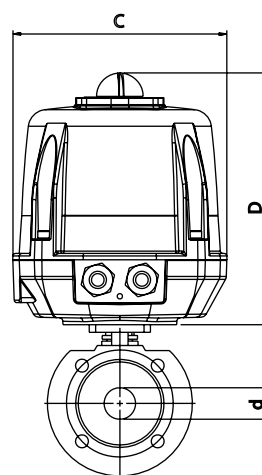
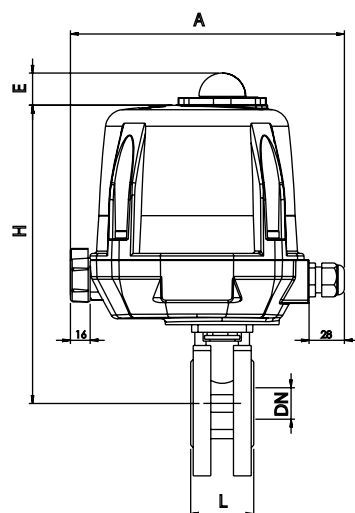
Positionnement POSI Positioning	With the Posi actuator you can make a simple control valve. It has the same functionality as the ER plus, with as extra a control function with which you can put the valve in every position wanted. The required controlsignal is 4-20 mA, 0-20 mA or 0-10 Volt.
-----------------------------------------------------	--------------------------------------------------------------------------------------------------------------------------------------------------------------------------------------------------------------------------------------------------------------------

With electric actuator type ER Plus Posi [mm]					IP66, duty rating S4 50% (IEC34), Temperature -10 to +55 °C								
DN (d)	100V to 240V 50-60 Hz (100 to 350 V/DC)	90° runtime	15 to 30V 50/60Hz (12 to 48V/DC)	90° runtime	Nm	Watt	A	C	D	E	H	L	Weight [kg]
DN15 (1/2")	ER20.X3A.GP6	25 s.	ER20.X3B.GP6	25 s.	20	15	194	92	148	24	178	42	2,5
DN20 (3/4")	ER20.X3A.GP6	25 s.	ER20.X3B.GP6	25 s.	20	15	194	92	148	24	180	44	3
DN25 (1")	ER60.93A.GP6	79 s.	ER60.93B.GP6	79 s.	35	45	209	128	176	24	215	50	4,6
DN32 (1 1/4")	ER60.93A.GP6	79 s.	ER60.93B.GP6	79 s.	35	45	209	128	176	24	224	54	5,7
DN40 (1 1/2")	ER100.93A.GP6	119 s.	ER100.93B.GP6	119 s.	100	45	209	128	176	24	228	68	6,6
DN50 (2")	ER100.93A.GP6	119 s.	ER100.93B.GP6	119 s.	100	45	209	128	176	24	238	82	8,4

Système sécurité FAIL SAFE Security system	Has the same functionality like ER Plus, with an addition of an failsafe function to let the valve turn to a safety position in case of power failure. Therefore there is build inside the actuator an batterypack.
----------------------------------------------------------------	---------------------------------------------------------------------------------------------------------------------------------------------------------------------------------------------------------------------

With electric actuator type ER Plus Failsafe [mm]					IP66, duty rating S4 50% (IEC34), Temperature -10 to +40 °C								
DN (d)	100V to 240V 50-60 Hz (100 to 350 V/DC)	90° runtime	15 to 30V 50/60Hz (12 to 48V/DC)	90° runtime	Nm	Watt	A	C	D	E	H	L	Weight [kg]
DN15 (1/2")	ER10.X0A.GS2	11 s.	ER10.X0B.GS2	11 s.	10	15	194	92	148	24	178	42	2,5
DN20 (3/4")	ER10.X0A.GS2	11 s.	ER10.X0B.GS2	11 s.	10	15	194	92	148	24	180	44	3
DN25 (1")	ER35.90A.GS2	7 s.	ER35.90B.GS2	7 s.	35	45	209	128	176	24	215	50	4,6
	ER35.93A.GS2	40 s.	ER35.93B.GS2	41 s.	35	45	209	128	176	24	215		4,6
DN32 (1 1/4")	ER35.90A.GS2	7 s.	ER35.90B.GS2	7 s.	35	45	209	128	176	24	224	54	5,7
	ER35.93A.GS2	40 s.	ER35.93B.GS2	41 s.	35	45	209	128	176	24	224		5,7
DN40 (1 1/2")	ER60.90A.GS2	12 s.	ER60.90B.GS2	12 s.	35	45	209	128	176	24	228	68	6,6
	ER60.93A.GS2	79 s.	ER60.93B.GS2	79 s.	60	45	209	128	176	24	228		6,6
DN50 (2")	ER60.90A.GS2	12 s.	ER60.90B.GS2	12 s.	60	45	209	128	176	24	238	82	8,4
	ER60.93A.GS2	79 s.	ER60.93B.GS2	79 s.	60	45	209	128	176	24	238		8,4
DN65 (2 1/2")	ER100.90A.GS2	23 s.	ER100.90B.GS2	22 s.	100	45	209	128	176	24	259	103	12,5
	ER100.93A.GS2	119s.	ER100.93B.GS2	119 s.	100	45	209	128	176	24	259		12,5
DN80 (3")	ER100.90A.GS2	23 s.	ER100.90B.GS2	22 s.	100	45	209	128	176	24	270	122	15,5
	ER100.93A.GS2	119s.	ER100.93B.GS2	119 s.	100	45	209	128	176	24	270		15,5

VR



S15D SS316 Wafer type ball valve PN16 - DN 15 up to DN 100

VR



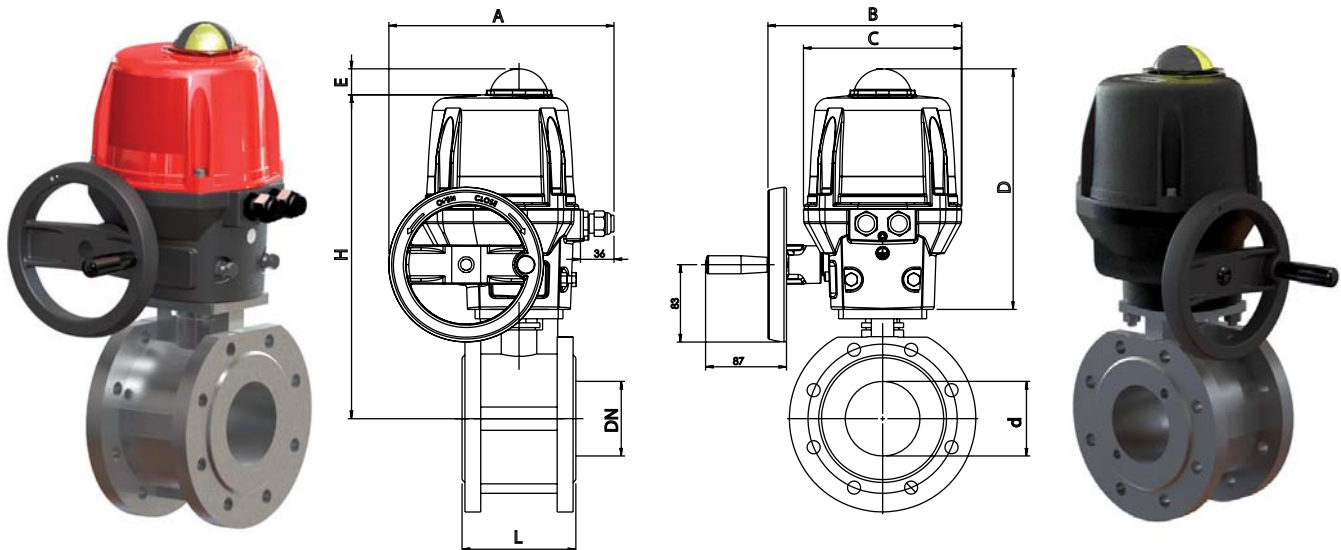
With electric actuator type VR [mm]				IP68, duty rating 50% (IEC34), Temperature -20 to +70 °C											
DN (d)	100V to 240V 50-60 Hz (100 to 350 V/DC)	15 to 30V 50/60Hz (12 to 48V/DC)	90° runtime	Watt	400 V 3 phase	90° runtime	Watt	Nm	A	C	D	E	H	L	Weight [kg]
DN15 (1/2")	VR25.70A.G00	VR25.70B.G00	7 s.	45	VR25.709.R00	10 s.	20	25	225	170	201	24	281*	42	4,6
DN20 (3/4")	VR25.70A.G00	VR25.70B.G00	7 s.	45	VR25.709.R00	10 s.	20	25	239	170	201	24	283*	44	5
DN25 (1")	VR45.70A.G00	VR45.70B.G00	15 s.	45	VR45.709.R00	10 s.	52	45	239	170	201	24	240	50	5,7
DN32 (1 1/4")	VR45.70A.G00	VR45.70B.G00	15 s.	45	VR45.709.R00	10 s.	52	45	239	170	201	24	249	54	6,8
DN40 (1 1/2")	VR75.70A.G00	VR75.70B.G00	20 s.	45	VR75.709.R00	15 s.	75	75	239	170	201	24	255	68	7,7
DN50 (2")	VR75.70A.G00	VR75.70B.G00	20 s.	45	VR75.709.R00	15 s.	75	75	239	170	201	24	265	82	9,5

VRX



With electric actuator type VRX [mm]				ATEX-II 2 GD Ex d IIB T6, IP68, duty rating 50%(IEC34), Temperature -10 to +40 °C											
DN (d)	100V to 240V 50-60 Hz (100 to 350 V/DC)	15 to 30V 50/60Hz (12 to 48V/DC)	90° runtime	Watt	400 V 3 phase	90° runtime	Watt	Nm	A	C	D	E	H	L	Weight [kg]
DN15 (1/2")	VRX25.70A.G00	VRX25.70B.G00	7 s.	45	VRX25.709.R00	10 s.	20	25	225	170	201	24	281*	42	4,6
DN20 (3/4")	VRX25.70A.G00	VRX25.70B.G00	7 s.	45	VRX25.709.R00	10 s.	20	25	239	170	201	24	283*	44	5
DN25 (1")	VRX45.70A.G00	VRX45.70B.G00	15 s.	45	VRX45.709.R00	10 s.	52	45	239	170	201	24	240	50	5,7
DN32 (1 1/4")	VRX45.70A.G00	VRX45.70B.G00	15 s.	45	VRX45.709.R00	10 s.	52	45	239	170	201	24	249	54	6,8
DN40 (1 1/2")	VRX75.70A.G00	VRX75.70B.G00	20 s.	45	VRX75.709.R00	15 s.	75	75	239	170	201	24	255	68	7,7
DN50 (2")	VRX75.70A.G00	VRX75.70B.G00	20 s.	45	VRX75.709.R00	15 s.	75	75	239	170	201	24	265	82	9,5

*= with 50 mm bracket and adapter in SS



VS



With electric actuator type VR [mm]				IP68, duty rating 50% (IEC34), Temperature -20 to +70 °C											
DN (d)	100V to 240V 50-60 Hz (100 to 350 V/DC)	15 to 30V 50/60Hz (12 to 48V/DC)	90° runtime	Watt	400 V 3 phase	90° runtime	Watt	Nm	A	C	D	E	H	L	Weight [kg]
DN65 (2 1/2")	VS100.90A.G00	VS100.90B.G00	15 s.	45	VS100.909.R00	10 s.	135	100	242	170	258	24	341	103	15,6
DN80 (3")	VS100.90A.G00	VS100.90B.G00	15 s.	45	VS100.909.R00	10 s.	135	100	242	170	258	24	352	122	18,6
DN100 (4")	VS150.90A.G00	VS150.90B.G00	30 s	45	VS150.909.R00	20 s	135	150	242	170	258	24	367	152	26,4

S15D SS316 Wafer type ball valve PN16 - DN 15 up to DN 100

VSX



With electric actuator type VSX [mm]				ATEX-II 2 GD Ex d IIB T6, IP68, duty rating 50%(IEC34), Temperature -10 to +40 °C											
DN (d)	100V to 240V 50-60 Hz (100 to 350 V/DC)	15 to 30V 50/60Hz (12 to 48V/DC)	90° runtime	Watt	400 V 3 phase	90° runtime	Watt	Nm	A	C	D	E	H	L	Weight [kg]
DN65 (2 1/2")	VSX100.90A.G00	VSX100.90B.G00	15 s.	45	VRX100.909.R00	10 s.	135	100	242	170	258	24	341	103	15,6
DN80 (3")	VSX100.90A.G00	VSX100.90B.G00	15 s.	45	VRX100.909.R00	10 s.	135	100	242	170	258	24	352	122	18,6
DN100 (4")	VSX150.90A.G00	VSX150.90B.G00	30 s	45	VSX150.909.R00	20 s	135	150	242	170	258	24	367	152	26,4

VS



Positionnement		With the Posi actuator you can make a simple control valve. It has the same functionality as the VS, with as extra a control function with which you can put the valve in every position wanted. The required control signal is 4-20 mA, 0-20 mA or 0-10 Volt.													
Posi Positioning															
With electric actuator type VS Posi [mm]				IP68, duty rating S4 50% (IEC34), Temperature -20 to +70 °C											
DN (d)	100V to 240V 50-60 Hz (100 to 350 V/DC)	15 to 30V 50/60Hz (12 to 48V/DC)	90° run-time	Nm	Watt	A	B	C	D	E	H	L	Weight [kg]		
DN 65(2 1/2")	VS150.90B.GP5	VS150.90B.GP5	30 s.	150	45	242	275	170	258	24	341	103	15,6		
DN80 (3")	VS150.90B.GP5	VS150.90B.GP5	30 s.	150	45	242	275	170	258	24	352	122	18,6		
DN100(4")	VS300.90B.GP5	VS300.90B.GP5	60 s.	300	45	242	275	170	258	24	367	152	26,4		
Système sécurité		Has the same functionality like VS, with an addition of an failsafe function to let the valve turn to a safety position in case of power failure. Therefore there is build inside the actuator an battery pack.													
FAIL SAFE Security system															
With electric actuator type VS Failsafe [mm]				IP68, duty rating S4 50% (IEC34), Temperature -10 to +40 °C											
DN (d)	100V to 240V 50-60 Hz (100 to 350 V/DC)	15 to 30V 50/60Hz (12 to 48V/DC)	90° run-time	Nm	Watt	A	B	C	D	E	H	L	Weight [kg]		
DN 100 (4")	VS150.90A.GS2	VS150.90B.GS2	30 s.	150	45	242	275	170	258	24	367	152	26,4		

S15F SS316 wafer type ball valve PN16 - DN 125-150-200



Description

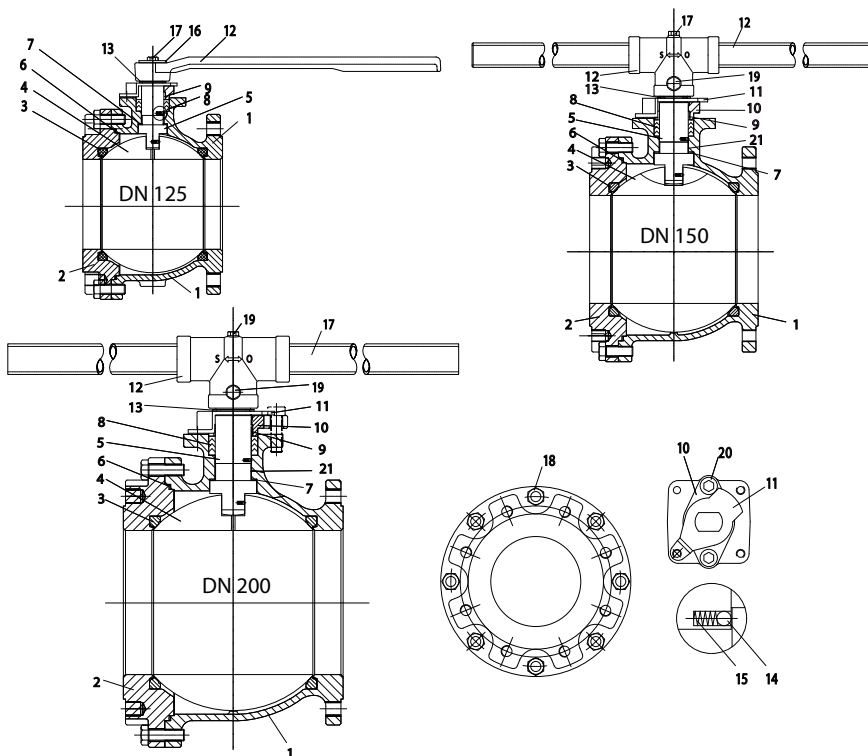
- 2-way wafer type ball valve with flange connection PN16
- Full bore
- Body, ball and stem SS316
- Mounting flange ISO 5211 for mounting electric or pneumatic actuators
- Seats and seals PTFE
- Pressure class PN16, flanged RF DIN2501
- Blow-out proof stem, lockable lever
- Anti-static
- Temperature -30° C up to 180° C.

Options:

- Automatic electric or pneumatic actuation
- Stem extension
- Endswitches

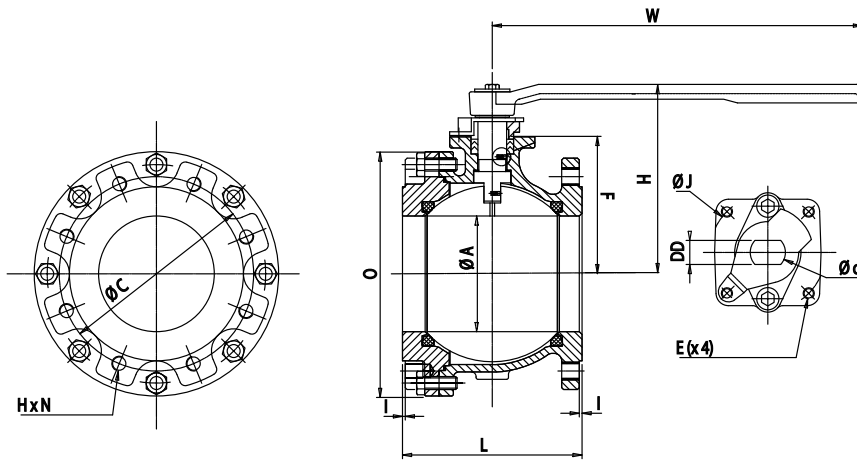
Certificates:

- 3.1 Material certificate
- CE declaration

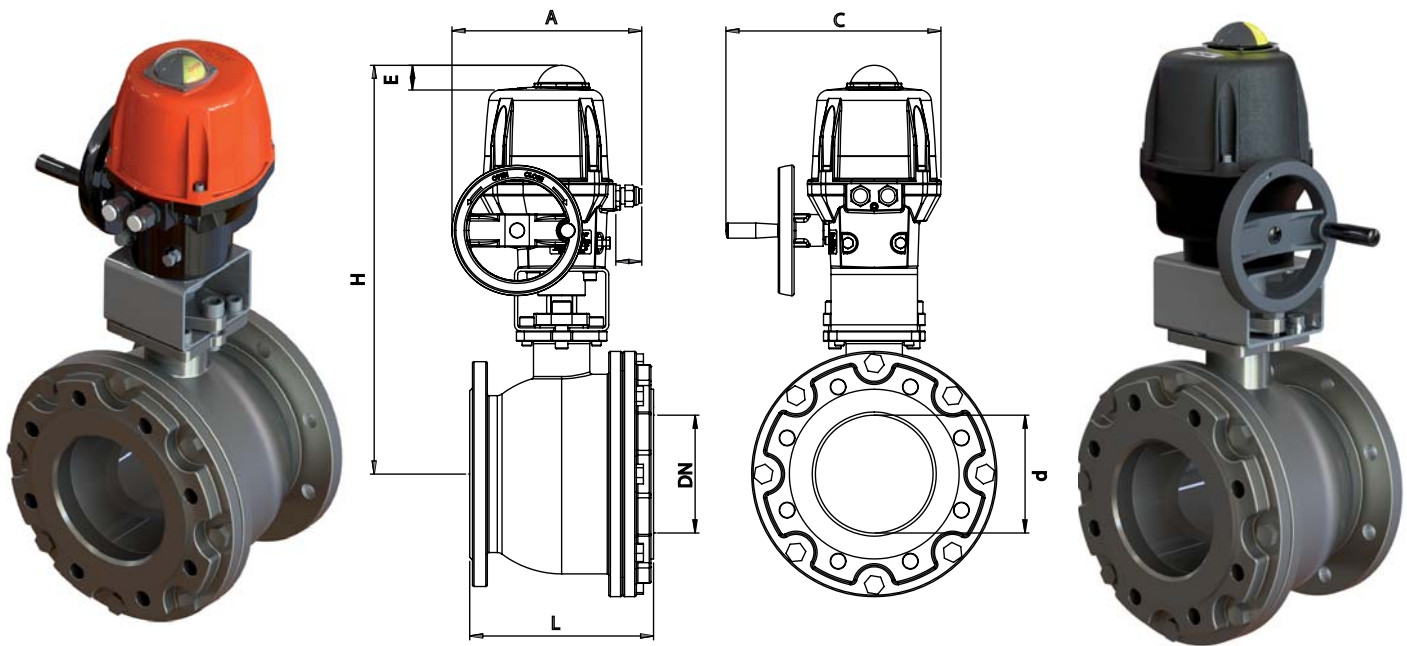


Item	Description	Material S15F	Material C15F
1	Body	SS316	Carbon steel
2	Body part	SS316	Carbin steel
3	Seat	PTFE	PTFE
4	Ball	SS316	SS304
5	Stem	SS316	SS304
6	Body packing	PTFE	PTFE
7	Thrust washer	PTFE	PTFE
8	Seal	PTFE	PTFE
9	Bushing	SS	SS
10	Gland	SS	SS
11	Stop plate	SS	SS
12	Lever	GGG40	GGG40
13	Snapring	SS	SS
14	Ball	SS316	SS316
15	Spring	SS316	SS316
16	Bushing	Steel	Steel
17	Bolt	SS	SS
18	Bolt	SS	SS
19	Bolt	SS	SS
20	Bolt	SS	SS
21	Stem bearing	PTFE	PTFE

S15F SS316 wafer type ball valve PN16 - DN 125-150-200



Dimensions DN 125 up to DN 200 [mm]			
DN	125	150	200
A	125	150	200
C	210	240	295
H	298	298	371
W	114	114	187
G	14	16	16
J	102	125	140
d	31	38	48
DD	20	26	32
H x N	M16x8	M16x8	M20x12
L	194	234	305
I	3	3	3
F	400	800	1100
E	M10x1.5	M12x1.75	M16
O	264	312	305
Weight [kg]	40	65	130



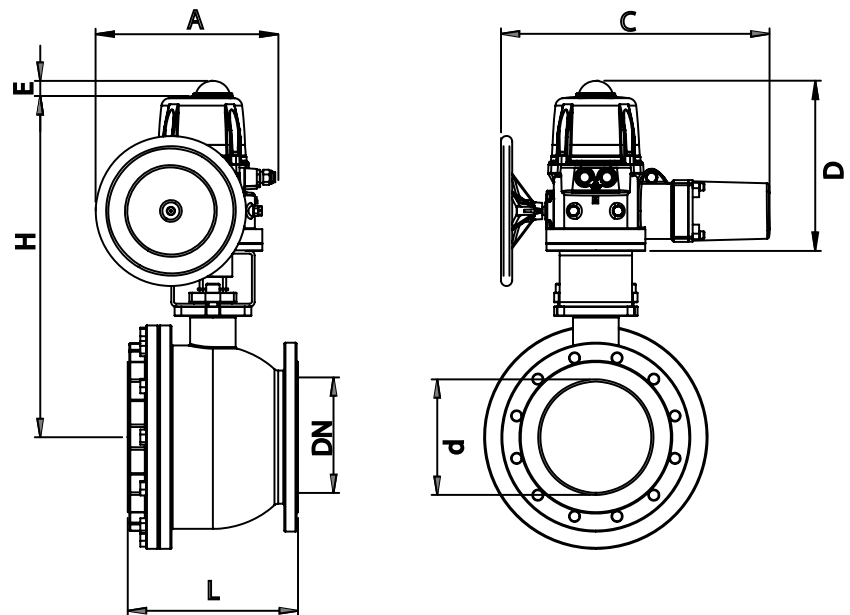
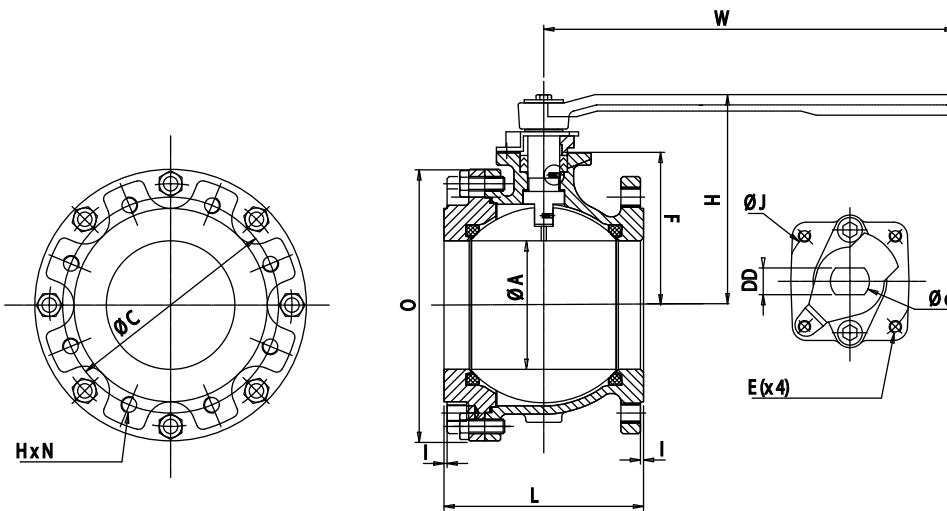
VS-VSX



With electric actuator type VS [mm]				IP68, duty rating 50% (IEC34), Temperature -10 to +70 °C											
DN (d)	100V to 240V 50-60 Hz (100 to 350 V/DC)	15 to 30V 50/60Hz (12 to 48V/DC)	90° runtime	Watt	400 V 3 phase	90° runtime	Watt	Nm	A	C	D	E	H	L	Weight [kg]
DN125 (5")	VS300.90A.G00	VS300.90B.G00	60 s.	45	VS300.909.R00	35 s.	135	300	242	170	258	24	734	194	18,6

S15F SS316 wafer type ball valve PN16 - DN 125-150-200

Dimensions DN 125 up to DN 200 [mm]			
DN	125	150	200
A	125	150	200
C	210	240	295
H	298	298	371
W	114	114	187
G	14	16	16
J	102	125	140
d	31	38	48
DD	20	26	32
H x N	M16x8	M16x8	M20x12
L	194	234	305
I	3	3	3
F	400	800	1100
E	M10x1.5	M12x1.75	M16
O	264	312	305
Weight [kg]	40	65	130



VT



With electric actuator type VT [mm]					IP68, duty rating S4 50% (IEC34), Temperature -20 to +70 °C								
DN (d)	230V/AC	90° runtime	400 V 3 phase	90° runtime	Nm	Watt	A	C	D	E	H	L	Weight [kg]
DN150 (6")	VT600.A08.T00	38s	VT600.A09.T00	38s	600	250	300	482	306	28	1206	234	90
DN200(8")	VT600.A08.T00	38s	VT600.A09.T00	38s	600	250	300	482	306	28	1506	305	156

S216D/C216D Flanged ball valve PN16-PN40 - DN 15 up to DN 100



Description

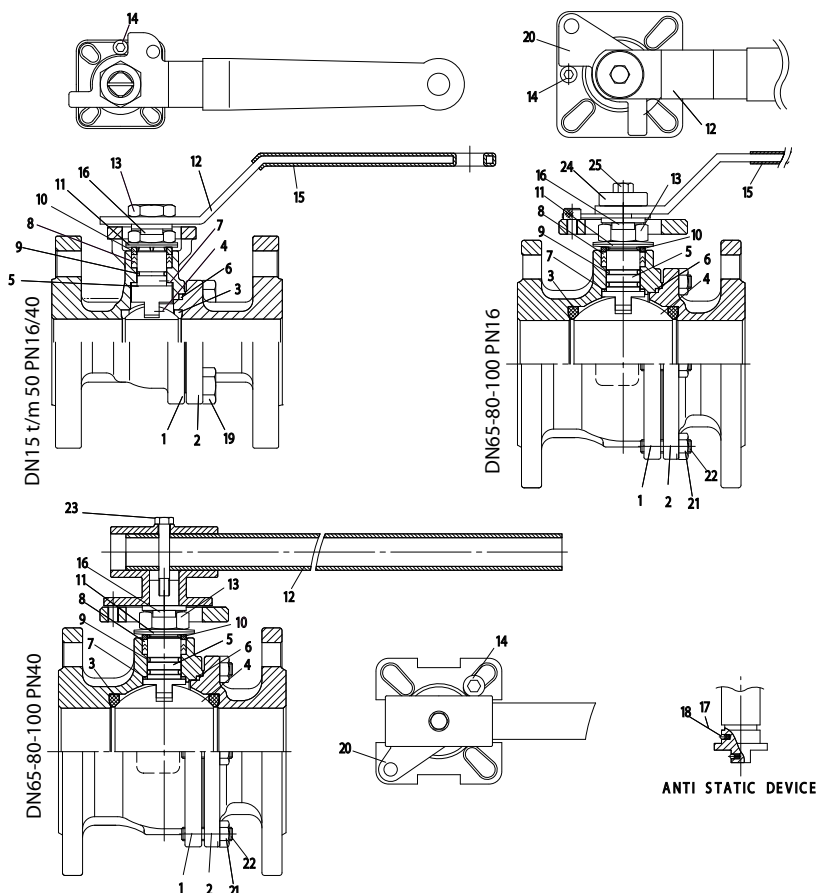
- 2-way Flanged ball valve with face to face according to DIN3202 F4
- Full bore
- Body SS316 or Carbon steel, ball and stem SS316
- Mounting flange ISO 5211 for direct mounting pneumatic or electric actuators
- Seats and seals PTFE
- Pressure class PN16 and/or PN40, flange RF DIN2501
- Blow-out proof stem, lockable lever
- Suitable for vacuum
- Anti-static
- Temperature -30° C up to 180° C.

Options:

- Automatic electric or pneumatic actuation
- Stem extension
- Endswitches
- Fire safe version
- Spring return lever

Certificates:

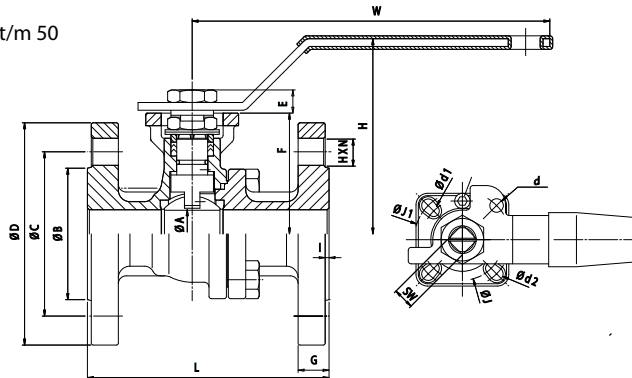
- 3.1 Material certificate
- CE declaration
- Fire safe API607 4th edition



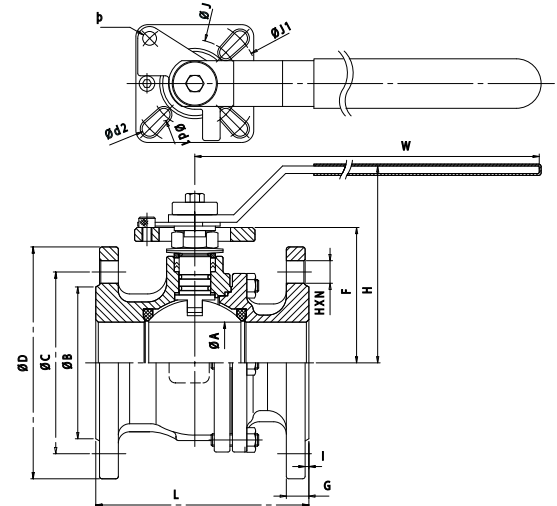
Item	Description	Material S216D	Material C216D	fire safe
1	Body	SS316	Carbon steel	=
2	Endcap	SS316	Carbon steel	=
3	Seat	PTFE	PTFE	PTFE
4	Ball	SS316	SS304	=
5	Stem	SS316	SS304	=
6	Body packing	PTFE	PTFE	Graphite
7	Thrust washer	PTFE	PTFE	PTFE
8	Seal	PTFE	PTFE	Graphite
9	O-ring	Viton®	Viton®	Viton®
10	Gland	SS	SS	SS
11	Spring disc	SS	SS	SS
12	Lever	SS	SS	SS
13	Nut	SS	SS	SS
14	Stop bolt	SS	SS	SS
15	Grip	PVC	PVC	PVC
16	Locking tab	SS	SS	SS
17	Spring	SS316	SS316	SS316
18	Ball	SS316	SS316	SS316
19	Bolt	SS	SS	SS
20	Stop plate	SS	SS	SS
21	Nut	SS	SS	SS
22	Screw	SS	SS	SS
23	Bolt	SS	SS	SS
24	Bushing	SS	SS	SS
25	Bolt	SS	SS	SS

S216D/C216D Flanged ball valve PN16-PN40 - DN 15 up to DN 100

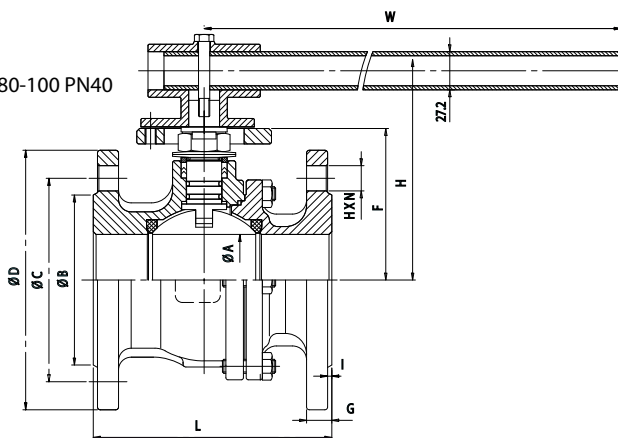
DN 15 t/m 50



DN 65-80-100 PN16

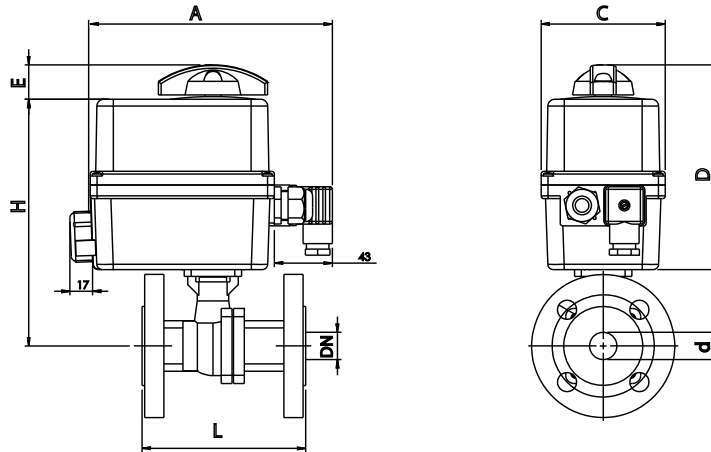


DN 65-80-100 PN40



Dimensions DN 15 up to DN 50 PN16/40 [mm]							DN 65 up to DN 100 PN16 [mm]			DN 65 up to DN 100 PN40 [mm]		
DN	15	20	25	32	40	50	65	80	100	65	80	100
A	16	20	25	32	38	50	65	80	96	65	80	96
C	65	75	85	100	110	125	145	160	180	145	160	190
D	95	105	115	140	150	165	185	200	220	185	200	235
H	89	89	101	112	116	125	154	165	180	150	160	175
W	114	114	187	187	222	222	350	350	350	265	365	365
G	16	18	18	18	18	20	18	20	20	22	24	24
J	36	36	42	42	50	50	70	70	70	70	70	102
J1	42	42	50	50	70	70	102	102	102	102	102	125
d	6	6	6	6	7	7	9	9	9	9	9	11
d1	6	6	7	7	9	9	11	11	11	11	11	13
SW	9	9	11	11	14	14	17	17	17	17	17	22
H x NM	14x4	14x4	14x4	18x4	18x4	18x4	18x4	18x8	18x8	18x8	18x8	22x8
L	115	120	125	130	140	150	170	180	190	170	180	190
I	2	2	2	2	3	3	3	3	3	3	3	3
F	54	56	62.5	72	78	87.2	107	117.3	132.3	107	117.3	132.3
E	8	8	12	12	14.8	14.8	17.1	17.1	17.1	17.1	17.1	22
Weight [kg]	2.28	2.86	3.84	5.32	6.56	9.04	13.94	17.58	24	15.8	20.5	32.0

S216D/C216D Flanged ball valve PN16-PN40 - DN 15 up to DN 100



ER PREMIER



Standard 2 potential free contacts to make a signal to see if valve has reached the open-or closed position.

With electric actuator type ER Premier [mm]					IP65, duty rating 30% (IEC34), Temperature -10 to +55 °C								
DN (d)	100V to 240V 50-60 Hz (100 to 350 V/DC)	90° runtime	24V 50/60Hz (24V/DC)	90° runtime	Nm	Watt	A	C	D	E	H	L	Weight [kg]
DN15 (1/2")	ER20.X0A.M00	13 s.	ER20.X03.M00	13 s.	20	15	194	92	152	28	178	115	3,3
DN20 (3/4")	ER20.X0A.M00	13 s.	ER20.X03.M00	13 s.	20	15	194	92	152	28	180	120	3,9
DN25 (1")	ER35.90A.M00	8 s.	ER35.903.M00	8 s.	35	45	209	128	176	24	215	125	6
DN32 (1 1/4")	ER35.90A.M00	8 s.	ER35.903.M00	8 s.	35	45	209	128	176	24	224	130	7,5
DN40 (1 1/2")	ER60.90A.M00	15 s.	ER60.903.M00	13 s.	60	45	209	128	176	24	230	140	8,7
DN50 (2")	ER60.90A.M00	15 s.	ER60.903.M00	13 s.	60	45	209	128	176	24	240	150	11,2
DN65 (2 1/2")	ER100.90A.M00	25 s.	ER100.903.M00	22 s.	100	45	209	128	176	24	259	170	16,1
DN80 (3")	ER100.90A.M00	25 s.	ER100.903.M00	22 s.	100	45	209	128	176	24	270	180	19,7

ER PLUS



ER plus has extra, standard: anti-condensation heater, torque limiter by software and an motor failure feedback relay.

With electric actuator type ER Plus [mm]					IP66, duty rating S4 50% (IEC34), Temperature -10 to +55 °C								
DN (d)	100V to 240V 50-60 Hz (100 to 350 V/DC)	90° runtime	15 to 30V 50/60Hz (12 to 48V/DC)	90° runtime	Nm	Watt	A	C	D	E	H	L	Weight [kg]
DN15 (1/2")	ER10.X0A.G00	11 s.	ER10.X0B.G00	11 s.	10	15	194	92	148	24	178	115	3,3
DN20 (3/4")	ER10.X0A.G00	11 s.	ER10.X0B.G00	11 s.	10	15	194	92	148	24	180	120	3,9
DN25 (1")	ER35.X0A.G00	26 s.	ER35.X0B.G00	24 s.	35	15	194	92	148	24	187	125	4,9
	ER35.90A.G00	7 s.	ER35.90B.G00	7 s.	35	45	209	128	176	24	215		6
	ER35.93A.G00	40 s.	ER35.93B.G00	41 s.	35	45	209	128	176	24	215		6
DN32 (1 1/4")	ER35.X0A.G00	26 s.	ER35.X0B.G00	24 s.	35	15	194	92	148	24	196	130	6,5
	ER35.90A.G00	7 s.	ER35.90B.G00	7 s.	35	45	209	128	176	24	224		7,5
	ER35.93A.G00	40 s.	ER35.93B.G00	41 s.	35	45	209	128	176	24	224		7,5
DN40 (1 1/2")	ER60.90A.G00	12 s.	ER60.90B.G00	12 s.	60	45	209	128	176	24	230	140	8,7
	ER60.93A.G00	79 s.	ER60.93B.G00	79 s.	60	45	209	128	176	24	230		8,7
DN50 (2")	ER60.90A.G00	12 s.	ER60.90B.G00	12 s.	60	45	209	128	176	24	240	150	11,2
	ER60.93A.G00	79 s.	ER60.93B.G00	79 s.	60	45	209	128	176	24	240		11,2
DN65 (2 1/2")	ER100.90A.G00	25 s.	ER100.90B.G00	22 s.	100	45	209	128	176	24	259	170	16,1
	ER100.93A.G00	119 s.	ER100.93B.G00	119 s.	100	45	209	128	176	24	259		16,1
DN80 (3")	ER100.90A.G00	25 s.	ER100.90B.G00	22 s.	100	45	209	128	176	24	270	180	19,7
	ER100.93A.G00	119 s.	ER100.93B.G00	119 s.	100	45	209	128	176	24	270		19,7

S216D/C216D Flanged ball valve PN16-PN40 - DN 15 up to DN 100

ER PLUS

Indice de protection
IP66
Enclosure

Facteur de marche
50%
Duty rating

Résistance de série
Resistor as standard

SECURED MANUAL OVERRIDE

FAILURE REPORT

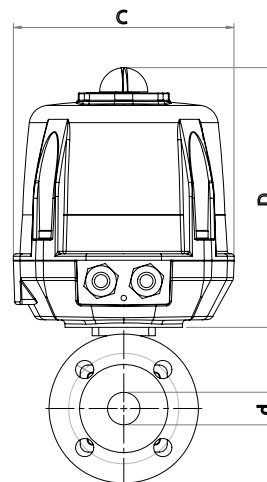
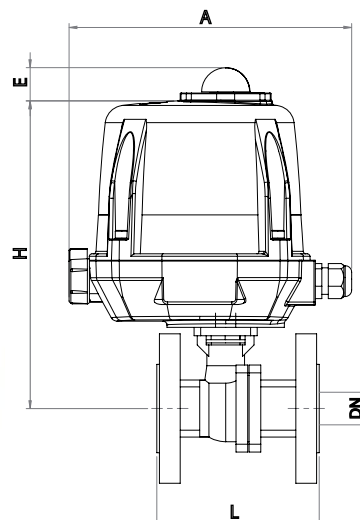
Positionnement POSI Positioning	With the Posi actuator you can make a simple control valve. It has the same functionality as the ER plus, with as extra a control function with which you can put the valve in every position wanted. The required controlsignal is 4-20 mA, 0-20 mA or 0-10 Volt.
-----------------------------------------------------	--------------------------------------------------------------------------------------------------------------------------------------------------------------------------------------------------------------------------------------------------------------------

With electric actuator type ER Plus Posi [mm]					IP66, duty rating S4 50% (IEC34), Temperature -10 to +55 °C								
DN (d)	100V to 240V 50-60 Hz (100 to 350 V/DC)	90° runtime	15 to 30V 50/60Hz (12 to 48V/DC)	90° runtime	Nm	Watt	A	C	D	E	H	L	Weight [kg]
DN15 (1/2")	ER20.X3A.GP6	25 s.	ER20.X3B.GP6	25 s.	20	15	194	92	148	24	178	115	3,3
DN20 (3/4")	ER20.X3A.GP6	25 s.	ER20.X3B.GP6	25 s.	20	15	194	92	148	24	180	120	3,9
DN25 (1")	ER60.93A.GP6	79 s.	ER60.93B.GP6	79 s.	35	45	209	128	176	24	215	125	6
DN32 (1 1/4")	ER60.93A.GP6	79 s.	ER60.93B.GP6	79 s.	35	45	209	128	176	24	224	130	7,5
DN40 (1 1/2")	ER100.93A.GP6	119 s.	ER100.93B.GP6	119 s.	100	45	209	128	176	24	230	140	8,7
DN50 (2")	ER100.93A.GP6	119 s.	ER100.93B.GP6	119 s.	100	45	209	128	176	24	240	150	12,2

Système sécurité FAIL SAFE Security system	Has the same functionality like ER Plus, with an addition of an failsafe function to let the valve turn to a safety position in case of power failure. Therefore there is build inside the actuator an batterypack.
----------------------------------------------------------------	---------------------------------------------------------------------------------------------------------------------------------------------------------------------------------------------------------------------

With electric actuator type ER Plus Failsafe [mm]					IP66, duty rating S4 50% (IEC34), Temperature -10 to +40 °C								
DN (d)	100V to 240V 50-60 Hz (100 to 350 V/DC)	90° runtime	15 to 30V 50/60Hz (12 to 48V/DC)	90° runtime	Nm	Watt	A	C	D	E	H	L	Weight [kg]
DN15 (1/2")	ER10.X0A.GS2	11 s.	ER10.X0B.GS2	11 s.	10	15	194	92	148	24	178	115	3,3
DN20 (3/4")	ER10.X0A.GS2	11 s.	ER10.X0B.GS2	11 s.	10	15	194	92	148	24	180	120	3,9
DN25 (1")	ER35.90A.GS2	7 s.	ER35.90B.GS2	7 s.	35	45	209	128	176	24	215	125	6
	ER35.93A.GS2	40 s.	ER35.93B.GS2	41 s.	35	45	209	128	176	24	215		6
DN32 (1 1/4")	ER35.90A.GS2	7 s.	ER35.90B.GS2	7 s.	35	45	209	128	176	24	224	130	7,5
	ER35.93A.GS2	40 s.	ER35.93B.GS2	41 s.	35	45	209	128	176	24	224		7,5
DN40 (1 1/2")	ER60.90A.GS2	12 s.	ER60.90B.GS2	12 s.	60	45	209	128	176	24	230	140	8,7
	ER60.93A.GS2	79 s.	ER60.93B.GS2	79 s.	60	45	209	128	176	24	230		8,7
DN50 (2")	ER60.90A.GS2	12 s.	ER60.90B.GS2	12 s.	60	45	209	128	176	24	240	150	12,2
	ER60.93A.GS2	79 s.	ER60.93B.GS2	79 s.	60	45	209	128	176	24	240		12,2
DN65 (2 1/2")	ER100.90A.GS2	23 s.	ER100.90B.GS2	22 s.	100	45	209	128	176	24	259	170	16,1
	ER100.93A.GS2	119s.	ER100.93B.GS2	119 s.	100	45	209	128	176	24	259		16,1
DN80 (3")	ER100.90A.GS2	23 s.	ER100.90B.GS2	22 s.	100	45	209	128	176	24	270	180	19,7
	ER100.93A.GS2	119s.	ER100.93B.GS2	119 s.	100	45	209	128	176	24	270		19,7

VR-VRX



S216D/C216D Flanged ball valve PN16-PN40 - DN 15 up to DN 100

VR



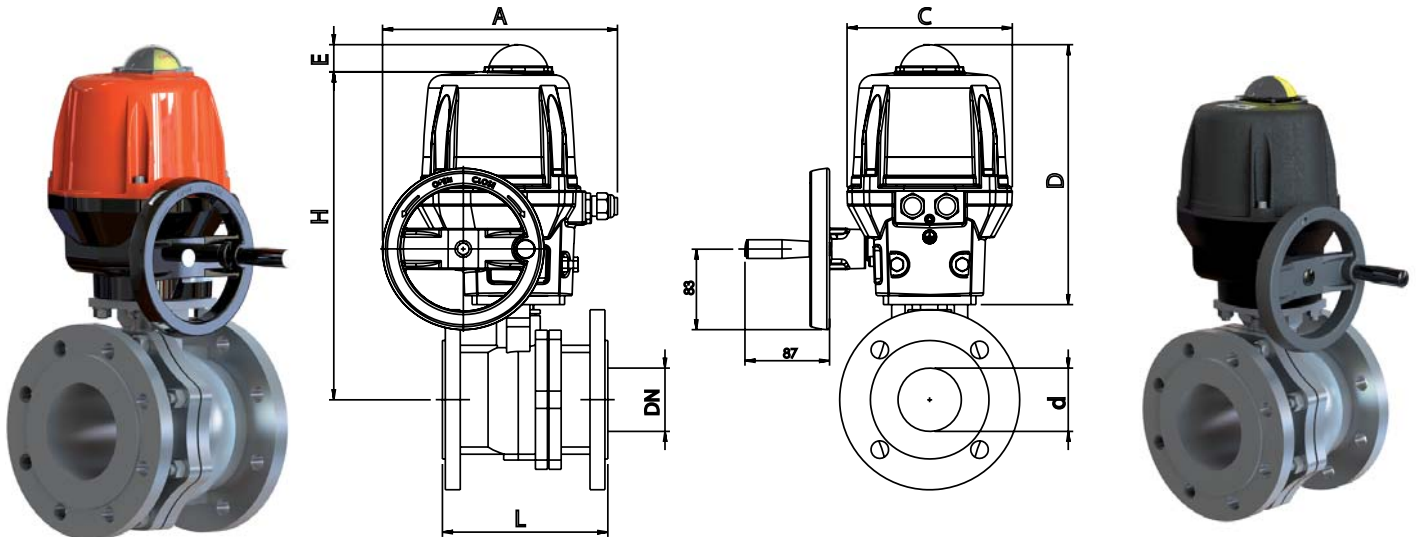
With electric actuator type VR [mm]				IP68, duty rating 50% (IEC34), Temperature -20 to +70 °C											
DN (d)	100V to 240V 50-60 Hz (100 to 350 V/DC)	15 to 30V 50/60Hz (12 to 48V/DC)	90° runtime	Watt	400 V 3 phase	90° runtime	Watt	Nm	A	C	D	E	H	L	Weight [kg]
DN15 (1/2")	VR25.70A.G00	VR25.70B.G00	7 s.	45	VR25.709.R00	10 s.	20	25	225	170	201	24	281*	115	5,4
DN20 (3/4")	VR25.70A.G00	VR25.70B.G00	7 s.	45	VR25.709.R00	10 s.	20	25	225	170	201	24	283*	120	6
DN25 (1")	VR45.70A.G00	VR45.70B.G00	15 s.	45	VR45.709.R00	10 s.	52	45	225	170	201	24	240	125	7
DN32 (1 1/4")	VR45.70A.G00	VR45.70B.G00	15 s.	45	VR45.709.R00	10 s.	52	45	225	170	201	24	249	130	8,5
DN40 (1 1/2")	VR75.70A.G00	VR75.70B.G00	20 s.	45	VR75.709.R00	15 s.	75	75	225	170	201	24	255	140	9,7
DN50 (2")	VR75.70A.G00	VR75.70B.G00	20 s.	45	VR75.709.R00	15 s.	75	75	225	170	201	24	265	150	13

VRX



With electric actuator type VRX [mm]				ATEX-II 2 GD Ex d IIB T6, IP68, duty rating 50%(IEC34), Temperature -10 to +40 °C											
DN (d)	100V to 240V 50-60 Hz (100 to 350 V/DC)	15 to 30V 50/60Hz (12 to 48V/DC)	90° runtime	Watt	400 V 3 phase	90° runtime	Watt	Nm	A	C	D	E	H	L	Weight [kg]
DN15 (1/2")	VRX25.70A.G00	VRX25.70B.G00	7 s.	45	VRX25.709.R00	10 s.	20	25	225	170	201	24	281*	115	5,4
DN20 (3/4")	VRX25.70A.G00	VRX25.70B.G00	7 s.	45	VRX25.709.R00	10 s.	20	25	225	170	201	24	283*	120	6
DN25 (1")	VRX45.70A.G00	VRX45.70B.G00	15 s.	45	VRX45.709.R00	10 s.	52	45	225	170	201	24	240	125	7
DN32 (1 1/4")	VRX45.70A.G00	VRX45.70B.G00	15 s.	45	VRX45.709.R00	10 s.	52	45	225	170	201	24	249	130	8,5
DN40 (1 1/2")	VRX75.70A.G00	VRX75.70B.G00	20 s.	45	VRX75.709.R00	15 s.	75	75	225	170	201	24	255	140	9,7
DN50 (2")	VRX75.70A.G00	VRX75.70B.G00	20 s.	45	VRX75.709.R00	15 s.	75	75	225	170	201	24	265	150	13

*= with 50 mm bracket and adapter in SS



VS-VSX



With electric actuator type VS [mm]				IP68, duty rating 50% (IEC34), Temperature -10 to +55 °C											
DN (d)	100V to 240V 50-60 Hz (100 to 350 V/DC)	15 to 30V 50/60Hz (12 to 48V/DC)	90° runtime	Watt	400 V 3 phase	90° runtime	Watt	Nm	A	C	D	E	H	L	Weight [kg]
DN65 (2 1/2")	VS100.90A.G00	VS100.90B.G00	15s	45	VS100.909.R00	10s	135	100	242	170	258	24	341	170	19,2
DN80 (3")	VS100.90A.G00	VS100.90B.G00	15s	45	VS100.909.R00	10s	135	100	242	170	258	31	352	180	23,5
DN100 (4")	VS150.90A.G00	VS150.90B.G00	30s	45	VS150.909.R00	20s	135	150	242	170	258	31	367	190	30

S216D/C216D Flanged ball valve PN16-PN40 - DN 15 up to DN 100

VSX



With electric actuator type VSX [mm]				ATEX-II 2 GD Ex d IIB T6, IP68, duty rating 50%(IEC34), Temperature -10 to +55 °C											
DN (d)	100V to 240V 50-60 Hz (100 to 350 V/DC)	15 to 30V 50/60Hz (12 to 48V/DC)	90° runtime	Watt	400 V 3 phase	90° runtime	Watt	Nm	A	C	D	E	H	L	Weight [kg]
DN65 (2 1/2")	VSX100.90A.G00	VSX100.90B.G00	15s	45	VSX100.909.R00	10s	135	100	242	170	258	24	341	170	19,2
DN80 (3")	VSX100.90A.G00	VSX100.90B.G00	15s	45	VSX100.909.R00	10s	135	100	242	170	258	31	352	180	23,5
DN100 (4")	VSX150.90A.G00	VSX150.90B.G00	30s	45	VSX150.909.R00	20s	135	150	242	170	258	31	367	190	30

VS



Positionnement		With electric actuator type VS Posi [mm]												
POSI Positioning		IP68, duty rating S4 50% (IEC34), Temperature -20 to +70 °C												
DN (d)	100V to 240V 50-60 Hz (100 to 350 V/DC)	15 to 30V 50/60Hz (12 to 48V/DC)	90° run-time	Nm	Watt	A	B	C	D	E	H	L	Weight [kg]	
DN 65(2 1/2")	VS150.90A.GP5	VS150.90B.GP5	30 s.	150	45	242	275	170	258	24	341	170	19,2	
DN80 (3")	VS150.90A.GP5	VS150.90B.GP5	30 s.	150	45	242	275	170	258	24	352	180	23,5	
DN100(4")	VS300.90A.GP5	VS300.90B.GP5	60 s.	300	45	242	275	170	258	24	367	190	30	

Système sécurisé		With electric actuator type VS Failsafe [mm]												
FAIL SAFE Security system		IP68, duty rating S4 50% (IEC34), Temperature -10 to +40 °C												
DN (d)	100V to 240V 50-60 Hz (100 to 350 V/DC)	15 to 30V 50/60Hz (12 to 48V/DC)	90° run-time	Nm	Watt	A	B	C	D	E	H	L	Weight [kg]	
DN 100 (4")	VS150.90A.GS2	VS150.90B.GS2	30 s.	150	45	242	275	170	258	24	367	190	30	

S316D SS316 3-way ball valve PN16 - DN 15 up to DN 100



Description

- 3-way ball valve with flange connection PN16
- Full bore, L- or T-port
- Body, ball and stem SS316
- Mounting flange ISO 5211 for direct mounting pneumatic or electric actuators
- Seats and seals PTFE
- Pressure class PN16, flanged RF DIN2501
- Blow-out proof stem, lockable lever
- Anti-static
- Temperature -30° C up to 200° C.
- DN 65, 80 and 100 Trunnion Mounted

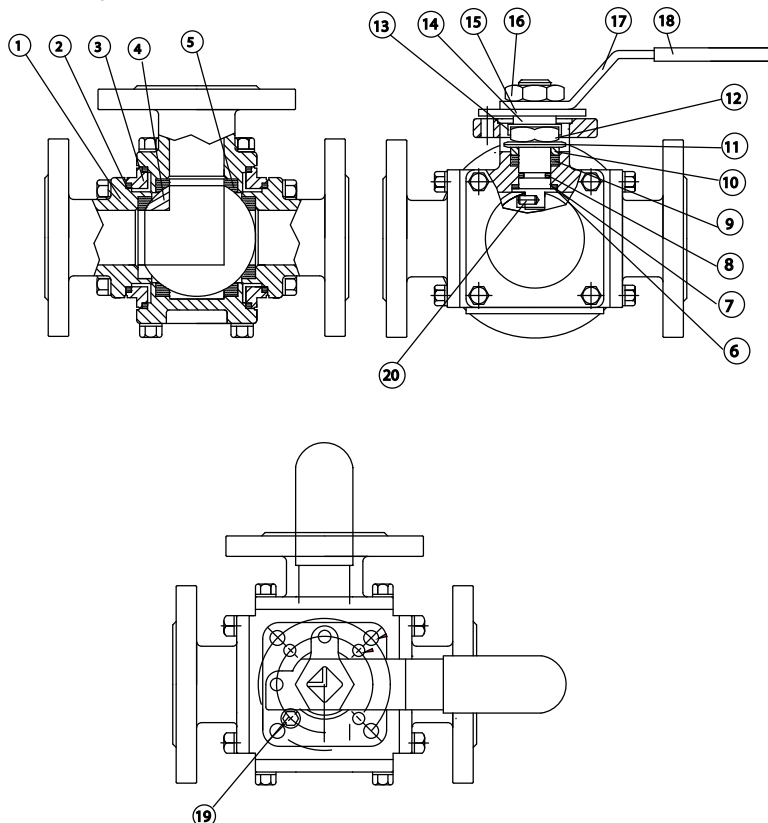
Options:

- Automatic electric or pneumatic actuation
 - Stem extension
 - Endswitches
 - Spring return lever
 - 4-way version L-T-X or I port
- TFM seat rings
Peek seat rings
Integral seat rings

Certificates:

- 3.1 Material certificate
- CE declaration

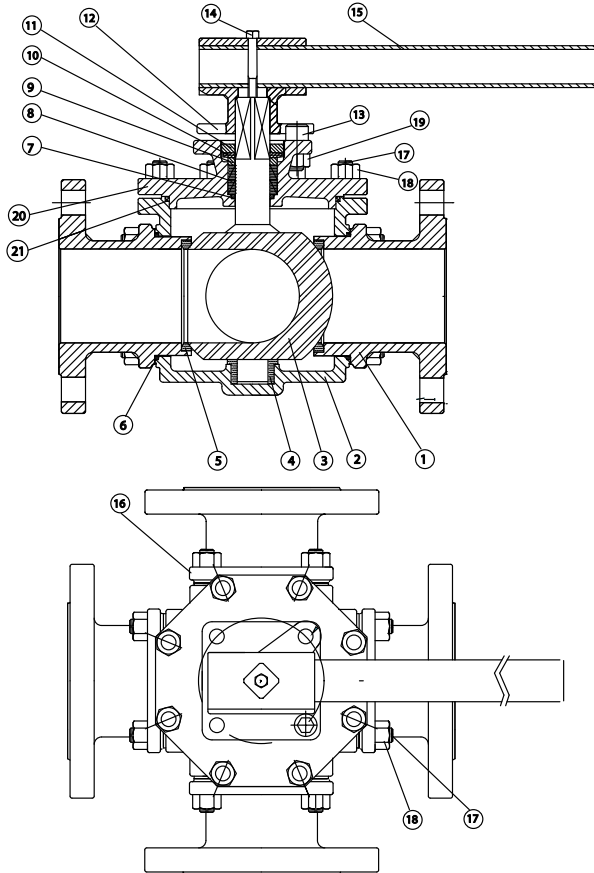
DN 15 t/m 50



Item	Description	Material
1	Flange end	SS316
2	Packing	PTFE
3	Body	SS316
4	Ball	SS316
5	Seat	PTFE
6	Thrust washer	RPTFE
7	Stem	SS316
8	O-ring	Viton®
9	Stem seal	PTFE
10	Gland	SS
11	Spring disc	SS
12	Nut	SS
13	Locking ring	SS
14	Distance ring	SS
15	Stop plate	SS
16	Nut	SS
17	Lever	SS
18	Grip	PVC
19	Stop pin	SS
20	Ball + spring	SS316

S316D SS316 3-way ball valve PN16 - DN 15 up to DN 100

DN 65-80-100

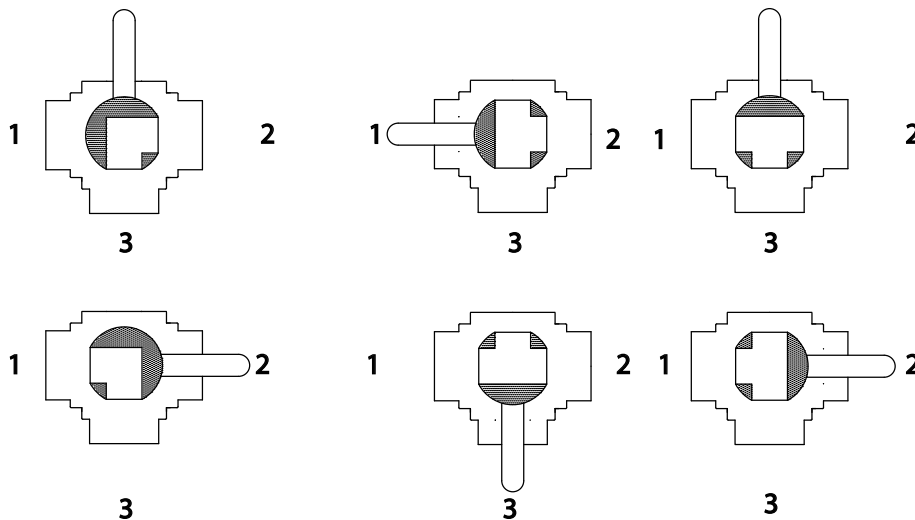


Item	Description	Material
1	Flanged end	SS316
2	Body	SS316
3	Ball and stem	SS316
4	Bushing	PTFE+SS
5	Seat	PTFE
6	Seal	PTFE
7	O-ring	Viton®
8	Stem seal	PTFE
9	Gland	SS
10	Spring disc	SS
11	Stop plate	SS
12	Lever head	SS
13	Stop pin	SS
14	Bolt	SS
15	Lever	Steell
16	Cover	SS316
17	Bolt	SS
18	Nut	SS
19	Stop pin nut	SS
20	Cover	SS316
21	Seal	PTFE

Posities mogelijkheden kogel L- en T poort

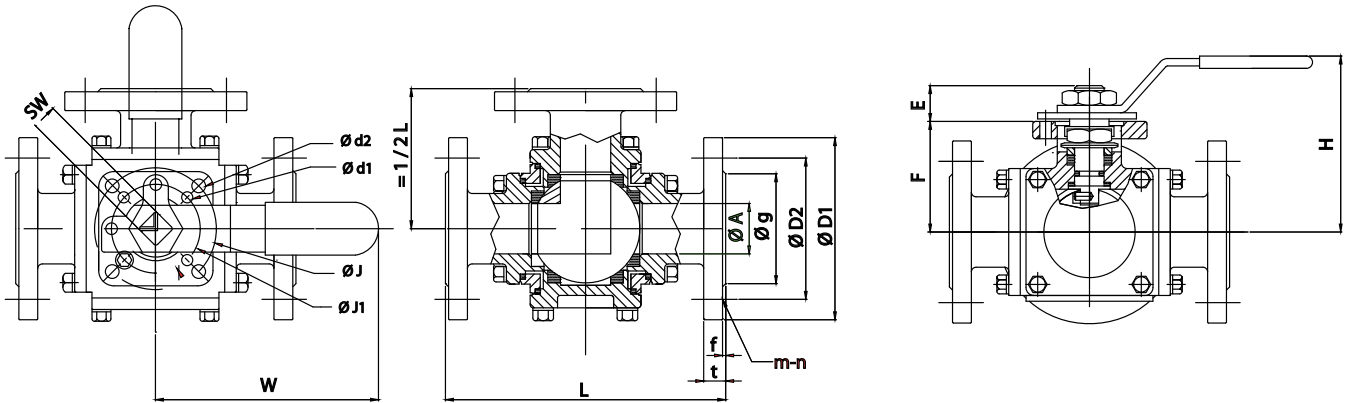
L - PORT 90° TURN

T - PORT 90° TURN

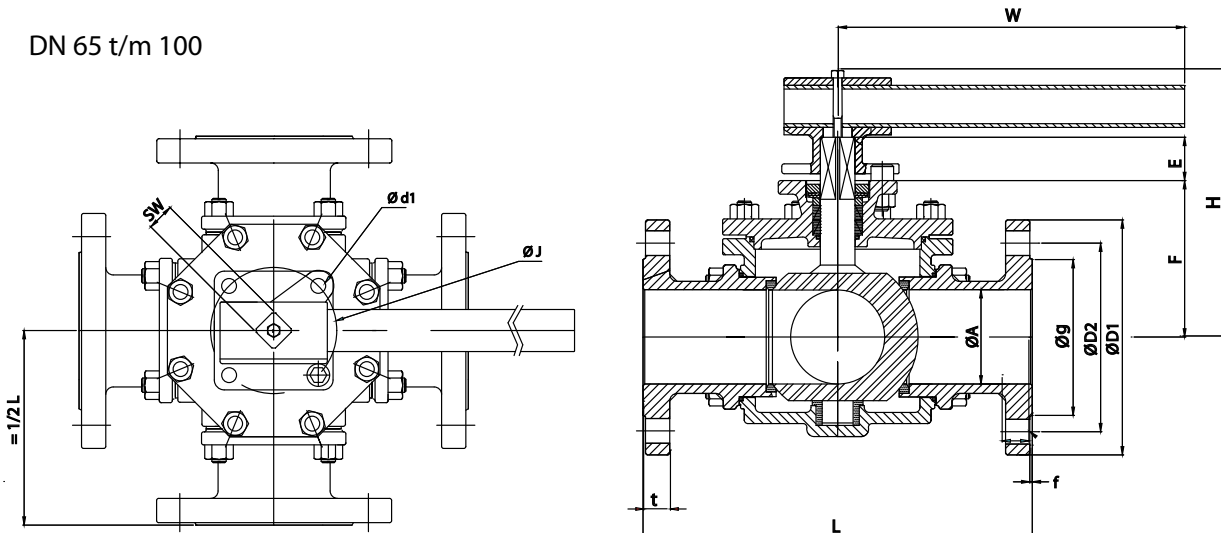


S316D SS316 3-way ball valve PN16 - DN 15 up to DN 100

DN 15 t/m 50

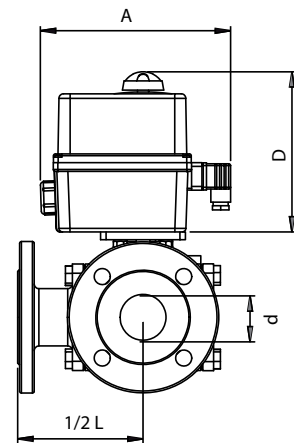
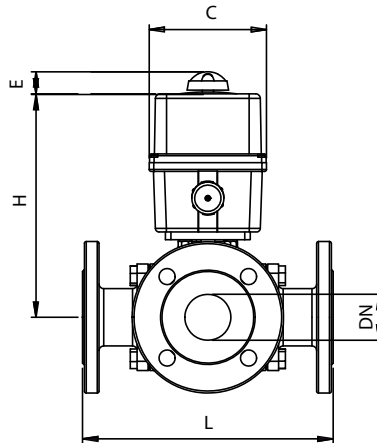
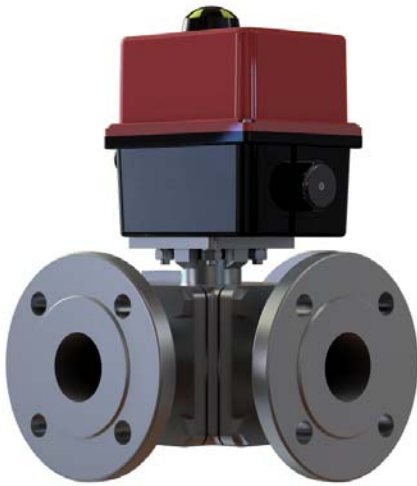


DN 65 t/m 100



Dimensions 1/4" up to 2" [mm] full bore									
DN	15	20	25	32	40	50	65	80	100
A	15	20	25	32	38	50	62	76	96
L	160	177	190	208	234	273	300	305	368.5
H	62	82	89	98	108	140	200	218	230
W	130	165	165	205	205	325	400	500	650
F	41	49	55	63	74	93	118.5	136.5	156.5
E	11	14	14	18	18	23	25	25	25
J	42	50	50	70	70	102	102	102	102
J1	36	42	42	50	50	70	-	-	-
d1	6.0	6.0	6.0	7.1	7.1	9.2	11	11	11
d2	6.0	7.1	7.1	9.2	9.2	11.4	-	-	-
SW	9	11	11	14	14	17	22	22	22
g	45	58	68	78	88	102	122	138	158
D1	95	105	115	140	150	165	185	200	220
D2	65	75	85	100	110	125	145	160	180
f-t	2-14	2-16	2-16	2-16	3-16	3-18	3-18	3-20	3-20
Weight [kg]	4.36	5.62	7.2	10.54	14.52	23.52	28.1	36.58	60.3

S316D SS316 3-way ball valve PN16 - DN 15 up to DN 100



ER PREMIER



Standard 2 potential free contacts to make an signal to see if valve has reached the open-or closed position.

With electric actuator type ER Premier [mm]					IP65, duty rating 30% (IEC34), Temperature -10 to +55 °C								
DN (d)	100V to 240V 50-60 Hz (100 to 350 V/DC)	90° runtime	24V 50/60Hz (24V/DC)	90° runtime	Nm	Watt	A	C	D	E	H	L	Weight [kg]
DN15 (1/2")	ER20.X0A.M00	13 s.	ER20.X03.M00	13 s.	20	15	194	92	152	28	165	160	5,4
DN20 (3/4")	ER35.90A.M00	8 s.	ER35.903.M00	8 s.	35	45	209	128	176	24	201	177	7,8
DN25 (1")	ER60.90A.M00	15 s.	ER60.903.M00	13 s.	60	45	209	128	176	24	207	190	9,3
DN32 (1 1/4")	ER60.90A.M00	15 s.	ER60.903.M00	13 s.	60	45	209	128	176	24	215	208	12,7
DN40 (1 1/2")	ER60.90A.M00	15 s.	ER60.903.M00	13 s.	60	45	209	128	176	24	226	234	16,7
DN50 (2")	ER100.90A.M00	25 s.	ER100.903.M00	22 s.	100	45	209	128	176	24	302	273	25,7

ER PLUS



ER plus has extra, standard: anti-condensation heater, torque limiter by software and an motor failure feedback relay.

With electric actuator type ER Plus [mm]					IP66, duty rating S4 50% (IEC34), Temperature -10 to +55 °C								
DN (d)	100V to 240V 50-60 Hz (100 to 350 V/DC)	90° runtime	15 to 30V 50/60Hz (12 to 48V/DC)	90° runtime	Nm	Watt	A	C	D	E	H	L	Weight [kg]
DN15 (1/2")	ER10.X0A.G00	11 s.	ER10.X0B.G00	11 s.	10	15	182	194	92	152	165	160	5,4
DN20 (3/4")	ER35.X0A.G00	26 s.	ER35.X0B.G00	24 s.	35	15	182	194	92	152	173	177	6,8
	ER35.90A.G00	7 s.	ER35.90B.G00	7 s.	35	45	209	128	176	24	201		7,8
	ER35.93A.G00	40 s.	ER35.93B.G00	41 s.	35	45	209	128	176	24	201		7,8
DN25 (1")	ER60.90A.G00	12 s.	ER35.90B.G00	12 s.	60	45	209	128	176	24	207	190	9,3
	ER60.93A.G00	79 s.	ER60.93B.G00	79 s.	60	45	209	128	176	24	207		9,3
DN32 (1 1/4")	ER60.90A.G00	12 s.	ER60.90B.G00	12 s.	60	45	209	128	176	24	215	234	12,7
	ER60.93A.G00	79 s.	ER60.93B.G00	79 s.	60	45	209	128	176	24	215		12,7
DN40 (1 1/2")	ER60.90A.G00	12 s.	ER60.90B.G00	12 s.	60	45	209	128	176	24	226	234	16,7
	ER60.93A.G00	79 s.	ER60.93B.G00	79 s.	60	45	209	128	176	24	226		16,7
DN50 (2")	ER100.90A.G00	25 s.	ER100.90B.G00	22 s.	100	45	209	128	176	24	302	273	25,7
	ER100.93A.G00	119 s.	ER100.93B.G00	119 s.	100	45	209	128	176	24	302		25,7

S316D SS316 3-way ball valve PN16 - DN 15 up to DN 100

ER PLUS



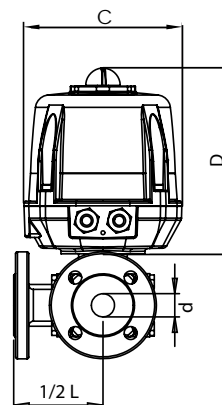
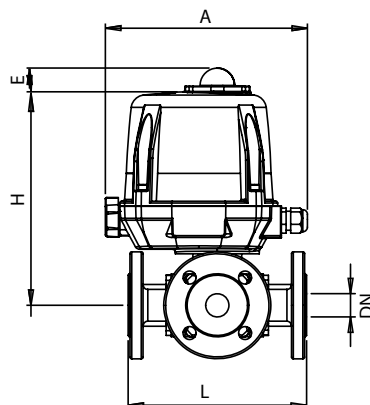
Posi Positioning
With the Posi actuator you can make a simple control valve. It has the same functionality as the ER plus, with as extra a control function with which you can put the valve in every position wanted. The required controlsignal is 4-20 mA, 0-20 mA or 0-10 Volt.

With electric actuator type ER Plus Posi [mm]					IP66, duty rating S4 50% (IEC34), Temperature -10 to +55 °C									
DN (d)	100V to 240V 50-60 Hz (100 to 350 V/DC)	90° runtime	15 to 30V 50/60Hz (12 to 48V/DC)	90° runtime	Nm	Watt	A	C	D	E	H	L	Weight [kg]	
DN15 (1/2")	ER20.X3A.GP6	25 s.	ER20.X3B.GP6	25 s.	20	15	194	92	152	28	165	160	5,4	
DN20 (3/4")	ER60.93A.GP6	79 s.	ER60.93B.GP6	79 s.	35	45	209	128	176	24	201	177	7,8	
DN25 (1")	ER100.93A.GP6	119 s.	ER100.93B.GP6	119 s.	100	45	209	128	176	24	207	190	9,3	
DN32 (1 1/4")	ER100.93A.GP6	119 s.	ER100.93B.GP6	119 s.	100	45	209	128	176	24	215	208	12,7	
DN40 (1 1/2")	ER100.93A.GP6	119 s.	ER100.93B.GP6	119 s.	100	45	209	128	176	24	215	273	16,7	

FAIL SAFE
Has the same functionality like ER Plus, with an addition of an failsafe function to let the valve turn to a safety position in case of power failure. Therefore there is build inside the actuator an batterypack.

With electric actuator type ER Plus Failsafe [mm]					IP66, duty rating S4 50% (IEC34), Temperature -10 to +55 °C									
DN (d)	100V to 240V 50-60 Hz (100 to 350 V/DC)	90° runtime	15 to 30V 50/60Hz (12 to 48V/DC)	90° runtime	Nm	Watt	A	C	D	E	H	L	Weight [kg]	
DN15 (1/2")	ER10.X0A.GS2	11 s.	ER10.X0B.GS2	11 s.	10	15	194	92	152	28	165	160	5,4	
DN20 (3/4")	ER35.90A.GS2	7 s.	ER35.90B.GS2	7 s.	35	45	209	128	176	24	201	177	7,8	
	ER35.93A.GS2	40 s.	ER35.93B.GS2	41 s.	35	45	209	128	176	24	201	177	7,8	
DN25 (1")	ER60.90A.GS2	12 s.	ER60.90B.GS2	12 s.	60	45	209	128	176	24	207	190	9,3	
	ER60.93A.GS2	79 s.	ER60.93B.GS2	79 s.	60	45	209	128	176	24	207	190	9,3	
DN32 (1 1/4")	ER60.90A.GS2	12 s.	ER60.90B.GS2	12 s.	60	45	209	128	176	24	215	208	12,7	
	ER60.93A.GS2	79 s.	ER60.93B.GS2	79 s.	60	45	209	128	176	24	215	208	12,7	
DN40 (1 1/2")	ER60.90A.GS2	12 s.	ER60.90B.GS2	12 s.	60	45	209	128	176	24	226	234	16,7	
	ER60.93A.GS2	79 s.	ER60.93B.GS2	79 s.	60	45	209	128	176	24	226	234	16,7	
DN50 (2")	ER100.90A.GS2	23 s.	ER100.90B.GS2	22 s.	100	45	209	128	176	24	245	273	25,7	
	ER100.93A.GS2	119s.	ER100.93B.GS2	119 s.	100	45	209	128	176	24	245	273	25,7	

VR-VRX



S316D SS316 3-way ball valve PN16 - DN 15 up to DN 100

VR



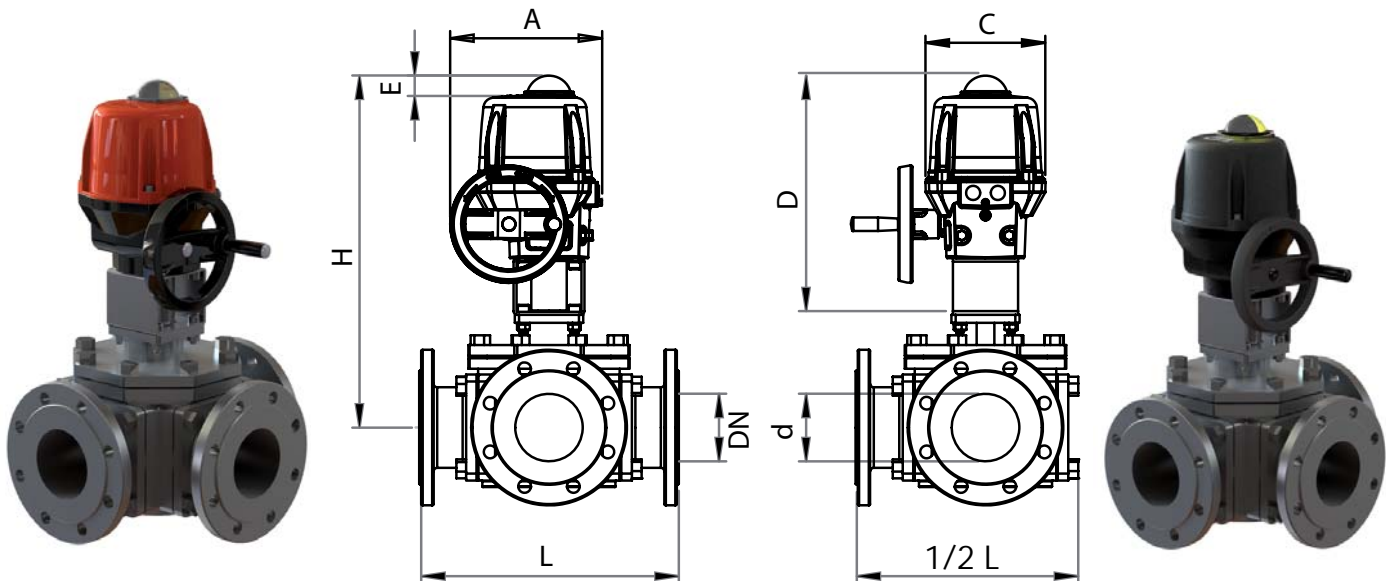
With electric actuator type VR [mm]				IP68, duty rating 50% (IEC34), Temperature -20 to +70 °C											
DN (d)	100V to 240V 50-60 Hz (100 to 350 V/DC)	15 to 30V 50/60Hz (12 to 48V/DC)	90° runtime	Watt	400 V 3 phase	90° runtime	Watt	Nm	A	C	D	E	H	L	Wght. [kg]
DN15 (1/2")	VR25.70A.G00	VR25.70B.G00	7 s.	45	VR25.709.R00	10 s.	20	25	225	170	201	24	268*	160	7,5
DN20 (3/4")	VR45.70A.G00	VR45.70B.G00	15 s.	45	VR45.709.R00	10 s.	52	45	239	170	201	24	225	177	8,8
DN25 (1")	VR75.70A.G00	VR75.70B.G00	20 s.	45	VR75.709.R00	15 s.	75	75	239	170	201	24	231	190	10,3
DN32 (1 1/4")	VR75.70A.G00	VR75.70B.G00	20 s.	45	VR75.709.R00	15 s.	75	75	239	170	201	24	239	208	13,7
DN40 (1 1/2")	VR75.70A.G00	VR75.70B.G00	20 s.	45	VR75.709.R00	15 s.	75	75	239	170	201	24	250	234	17,7

VRX



With electric actuator type VRX [mm]				ATEX-II 2 GD Ex d IIB T6, IP68, duty rating 50%(IEC34), Temperature -10 to +40 °C											
DN (d)	100V to 240V 50-60 Hz (100 to 350 V/DC)	15 to 30V 50/60Hz (12 to 48V/DC)	90° runtime	Watt	400 V 3 phase	90° runtime	Watt	Nm	A	C	D	E	H	L	Wght. [kg]
DN15 (1/2")	VRX25.70A.G00	VRX25.70B.G00	7 s.	45	VRX25.709.R00	10 s.	20	25	225	170	201	24	268*	160	7,5
DN20 (3/4")	VRX45.70A.G00	VRX45.70B.G00	15 s.	45	VRX45.709.R00	10 s.	52	45	239	170	201	24	225	177	8,8
DN25 (1")	VRX75.70A.G00	VRX75.70B.G00	20 s.	45	VRX75.709.R00	15 s.	75	75	239	170	201	24	231	190	10,3
DN32 (1 1/4")	VRX75.70A.G00	VRX75.70B.G00	20 s.	45	VRX75.709.R00	15 s.	75	75	239	170	201	24	239	208	13,7
DN40 (1 1/2")	VRX75.70A.G00	VRX75.70B.G00	20 s.	45	VRX75.709.R00	15 s.	75	75	239	170	201	24	250	234	17,7

*= with 50 mm bracket and adapter in SS



VS



With electric actuator type VS [mm]				IP68, duty rating 50% (IEC34), Temperature -20 to +70 °C											
DN (d)	100V to 240V 50-60 Hz (100 to 350 V/DC)	15 to 30V 50/60Hz (12 to 48V/DC)	90° runtime	Watt	400 V 3 phase	90° runtime	Watt	Nm	A	C	D	E	H	L	Wght. [kg]
DN50 (2")	VS100.90A.G00	VS100.90B.G00	15s	45	VS100.909.R00	10 s.	135	100	242	170	258	24	327	160	33,3
DN65 (2 1/2")	VS150.90A.G00	VS150.90B.G00	30s	45	VS150.909.R00	20 s.	135	150	239	170	201	24	353	177	34
DN80 (3")	VS300.90A.G00	VS300.90B.G00	60s	45	VS300.909.R00	35 s.	135	300	239	170	201	24	371	190	43
DN100 (4")	VS300.90A.G00	VS300.90B.G00	60s	45	VS300.909.R00	35 s.	135	300	239	170	201	24	491*	208	66

S316D SS316 3-way ball valve PN16 - DN 15 up to DN 100

VSX



With electric actuator type VSX [mm]				ATEX-II 2 GD Ex d IIB T6, IP68, duty rating 50%(IEC34), Temperature -10 to +55 °C											
DN (d)	100V to 240V 50-60 Hz (100 to 350 V/DC)	15 to 30V 50/60Hz (12 to 48V/DC)	90° runtime	Watt	400 V 3 phase	90° runtime	Watt	Nm	A	C	D	E	H	L	Weight [kg]
DN50 (2")	VSX100.90A.G00	VSX100.90A.G00	15s	45	VSX100.909.G00	10 s.	135	100	242	170	258	24	327	160	33,3
DN65 (2 1/2")	VSX150.90A.G00	VSX150.90A.G00	30s	45	VSX150.909.G00	20 s.	135	150	239	170	201	24	353	177	34
DN80 (3")	VSX300.90A.G00	VSX300.90A.G00	60s	45	VSX300.909.G00	35 s.	135	300	239	170	201	24	371	190	43
DN100 (4")	VSX300.90A.G00	VSX300.90A.G00	60s	45	VSX300.909.G00	35 s.	135	300	239	170	201	24	391	208	66

VS



Positionnement POSI Positioning		With the Posi actuator you can make a simple control valve. It has the same functionality as the VS, with as extra a control function with which you can put the valve in every position wanted. The required controlsignal is 4-20 mA, 0-20 mA or 0-10 Volt.													
With electric actuator type VS Posi [mm]				IP68, duty rating S4 50% (IEC34), Temperature -20 to +70 °C											
DN (d)	100V to 240V 50-60 Hz (100 to 350 V/DC)	15 to 30V 50/60Hz (12 to 48V/DC)	90° run-time	Nm	Watt	A	B	C	D	E	H	L	Weight [kg]		
DN50 (2")	VS150.90B.GP5	VS150.90B.GP5	30 s.	150	45	242	275	170	258	24	327	160	33,3		
DN 65(2 1/2")	VS300.90B.GP5	VS300.90B.GP2	60 s.	300	45	242	275	170	258	24	353	177	34		
DN80 (3")	VS300.90B.GP5	VS300.90B.GP2	60 s.	300	45	242	275	170	258	24	371	190	43		

Système sécurité FAIL SAFE Security system		Has the same functionality like VS, with an addition of an failsafe function to let the valve turn to a safety position in case of power failure. Therefore there is build inside the actuator an batterypack.													
With electric actuator type VS Failsafe [mm]				IP68, duty rating S4 50% (IEC34), Temperature -10 to +40 °C											
DN (d)	100V to 240V 50-60 Hz (100 to 350 V/DC)	15 to 30V 50/60Hz (12 to 48V/DC)	90° run-time	Nm	Watt	A	B	C	D	E	H	L	Weight [kg]		
DN 65(2 1/2")	VS150.90A.GS2	VS150.90B.GS2	30 s.	150	45	242	275	170	258	24	327	160	33,3		
DN80 (3")	VS150.90A.GS2	VS150.90B.GS2	30 s.	150	45	242	275	170	258	24	353	177	34		
DN 100 (4")	VS300.90A.GS2	VS300.90B.GS2	60 s.	300	45	242	275	170	258	24	371	190	43		

S316F SS316 3-way ball valve PN16 - DN 125 up to DN 200



Description

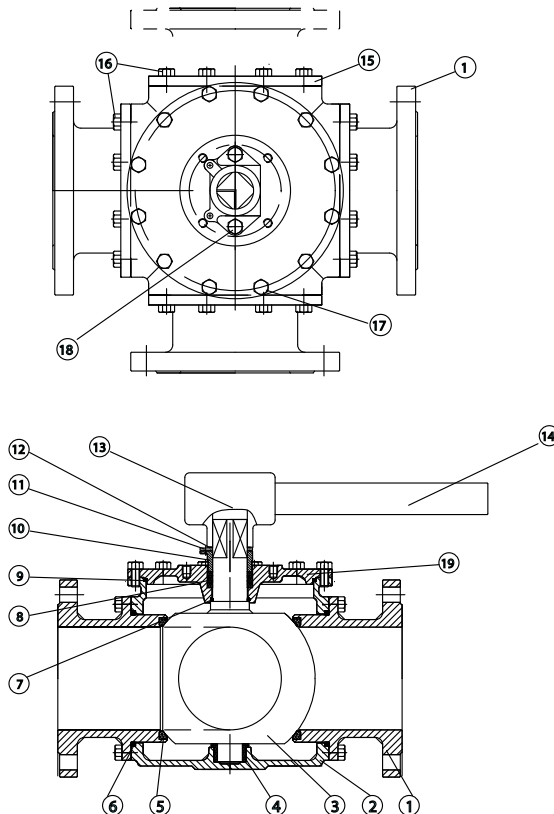
- 3-way ball valve with flange connection PN16
- Full bore, L- or T-port
- Body, ball and stem SS316
- ISO 5211 pattern for mounting pneumatic or electric actuators
- Seats and seals PTFE
- Pressure class PN16, flange RF DIN2501
- Blow-out proof stem, lockable lever
- Maximum working pressure 16 barg
- Temperature -30° C up to 200° C.
- Trunnion mounted ball

Options:

- Automatic electric or pneumatic actuation
 - Stem extension
 - Endswitches
 - Integral seats
 - 4-way version L-T-X or I port
- TFM seat rings
Peek seat rings
Carbon steel body

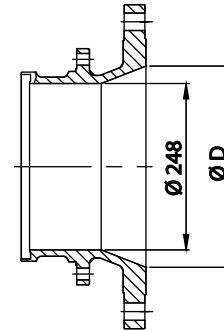
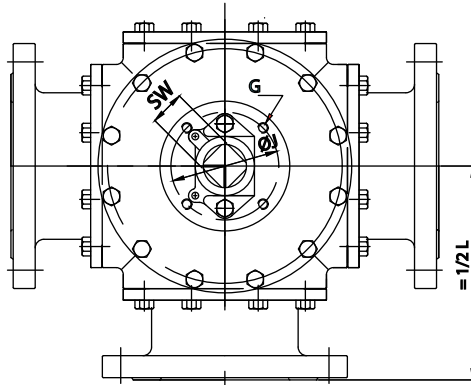
Certificats:

- 3.1 Material certificate
- CE declaration

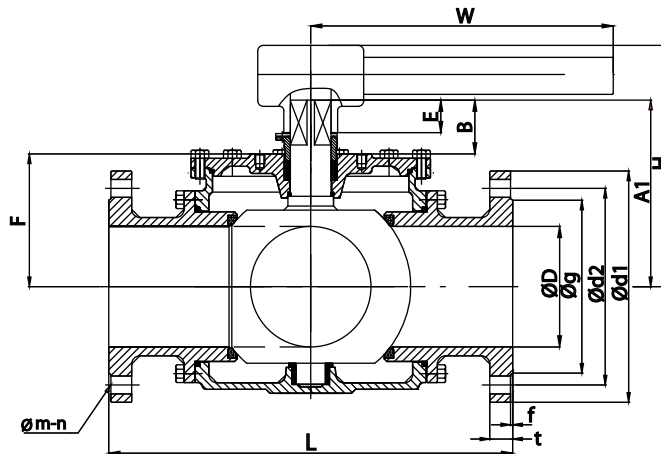


Item	Description	Material
1	Flange end	SS316
2	Body	SS316
3	Ball and stem	SS316
4	Bushing	PTFE+SS316
5	Seat	PTFE
6	Body packing	RPTFE
7	O-ring	Viton®
8	Stem seal	PTFE
9	Packing	PTFE
10	Gland	SS
11	Packing cover	SS
12	Stop plate	SS
13	Lever head	Steel
14	Lever	Steel
15	Cover	SS316
16	Bolt	SS
17	Bolt	SS
18	Bolt	SS
19	Top cover	SS316

S316F SS316 3-way ball valve PN16 - DN 125 up to DN 200



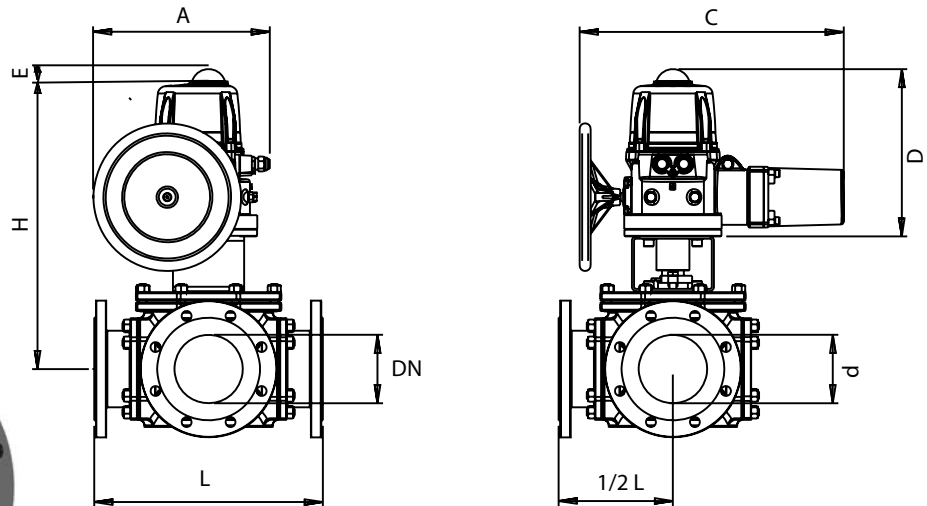
12" STD. PORT



Dimensions DN 125-150-200-250 [mm]				
DN	125	150	200	250
D	125	150	200	248
L	418	427	532	660
H	255	294	335	408
W	860	1200	1500	2000
F	140.5	159.5	201	252
E	36	36	36	59
J	125	125	125	140
G	M12	M12	M12	M16
d1	250	285	340	405
d2	210	240	295	355
SW	28	36	36	36
g	188	212	268	320
B	59	62	62	93
A1	198.5	222	263	345
f-t	3-22	3-22	3-22	3-22
Weight [kg]	69	136	235	320

S316F SS316 3-way ball valve PN16 - DN 125 up to DN 200

VT



VT



With electric actuator type VT [mm]					IP68, duty rating S4 50% (IEC34), Temperature -20 to +70 °C								
DN (d)	230V/AC	90° runtime	400 V 3 phase	90° runtime	Nm	Watt	A	C	D	E	H	L	Weight [kg]
DN125 (5")	VT1000.A08.T00	38s	VT1000.A09.T00	38s	1000	250	300	482	306	24	523	418	98
DN150 (6")	VT1000.A08.T00	38s	VT1000.A09.T00	38s	1000	250	300	482	306	24	542	427	165