

Eco130 Series

Medium Pressure Filters
Max. 1400 l/min. 30 bar



Modular system for industrial applications

High flow return filters for industrial use on hydraulic or lubrication systems. High flow and pressure up to 30 bar in single units. Ability to bank multiple filters together enables continuous filtration during element changes. Coreless Ecoglass III elements.



Contact Information:

Parker Hannifin
Hydraulic Filter Division Europe

**European Product
Information Centre**
Freephone: 00800 27 27 5374
(from AT, BE, CH, CZ, DE, EE, ES,
FI, FR, IE, IT, PT, SE, SK, UK)
filtrationinfo@parker.com

www.parker.com/hfde

Applications:

- Paper production plants
- Steel mills
- Aluminium mills
- Industrial power packs
- Lubrication systems
- Power generation

Specification

Assembly:

In-line filter as a single filter, a dual unit, a parallel unit or a filter system with L-bore selecting valve assembly (only one side in use). Vertical installation.

Maximum operating pressure:

Single filter: 30 bar

Dual and parallel units and filter systems: 16 bar

Nominal flow rate (30 cSt):

Single filter: 1000 l/min (60 m³/h)

Dual and parallel units and filter systems: 1400 l/min (84 m³/h)

Connections:

Single filter: Flanges SAE 2" 3000-M, SAE 2½" 3000-M or with adaptor threads G1½ or G2.

Dual units: Flanges SAE 3" 3000-M or with adaptor threads G2.

Parallel units and filter systems: DN80/PN16 or DN100/PN16.

Seal material:

Nitrile or optionally fluoroelastomer

Operating temperature:

-40°C...+100°C with Nitrile seals, -20°C...+120°C with Fluoroelastomer seals. For other temperatures consult Parker Filtration.

Housing material:

Aluminium

Weight:

See a table in dimension drawing

Bypass valve:

Opening pressure 3.5 bar

Filtration materials:

- Glassfibre Microglass III
- Environmentally friendly Ecoglass III. No metal parts.
- Cleanable metal mesh

Indicator options:

For details see indicator options table on product description page and catalogue section 4.

Differential pressure indicators:

Visual indicator always included to each column, setting 2.5 bar. Optional electrical or electronic indicators to be mounted on lower indicator port.

Fluid compatibility:

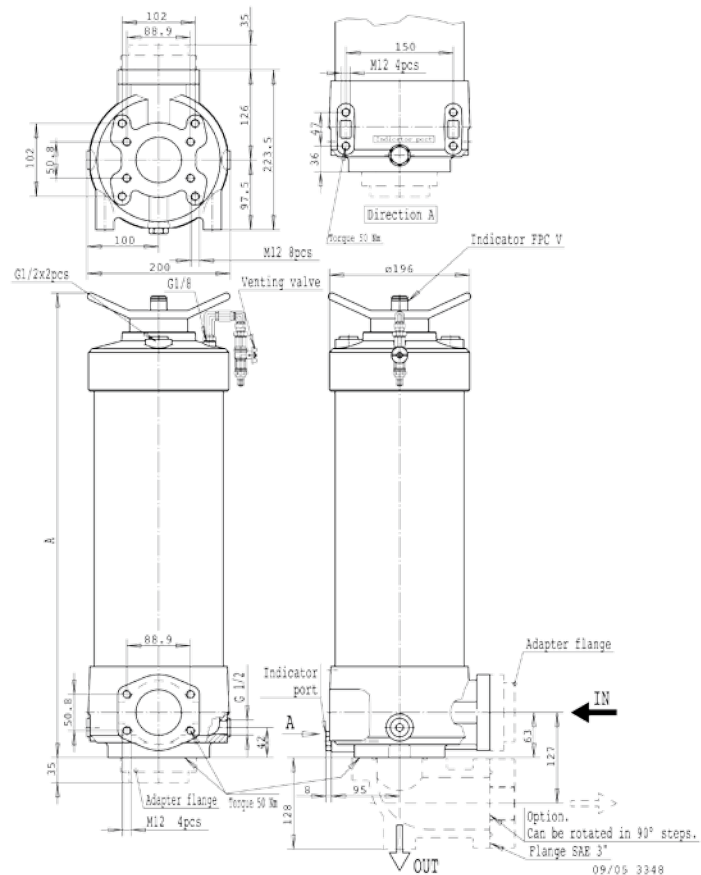
Suitable for use with regular hydraulic and lubrication oils. For other fluids consult Parker Filtration.

Single Assemblies 130M

Connection options	
Body flange	SAE 2" 3000-M
	SAE 2½" 3000-M
Adaptor flange	G1½
	G2
	SAE 3" 3000-M (90° elbow)

Weights (kg)	Length 2	Length 3
Single	25	33
Dual D2	70	86
Parallel P2	75	90
System S2	110	130
System S4	205	235
System S6	260	310
System S8	340	705

Type	A
Length 2	650
Length 3	1210



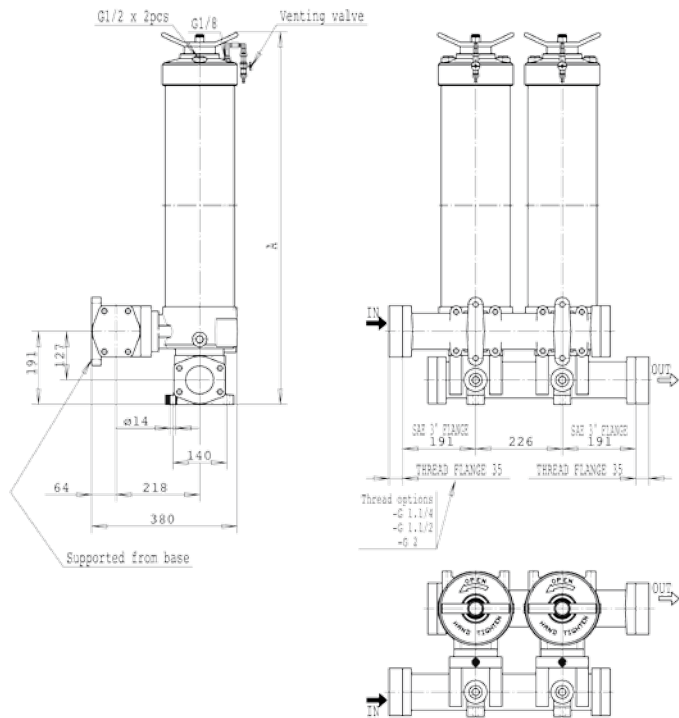
Eco130 Series

Medium Pressure Filters

Dual System 130D

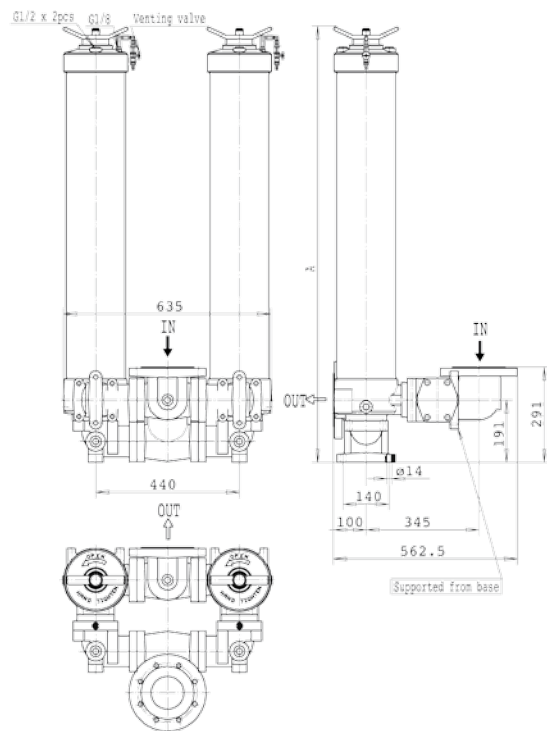
Connection options	
Body flange	SAE 3" 3000-M
Adaptor flange thread	G2

Type	A
Length 2	780
Length 3	1340



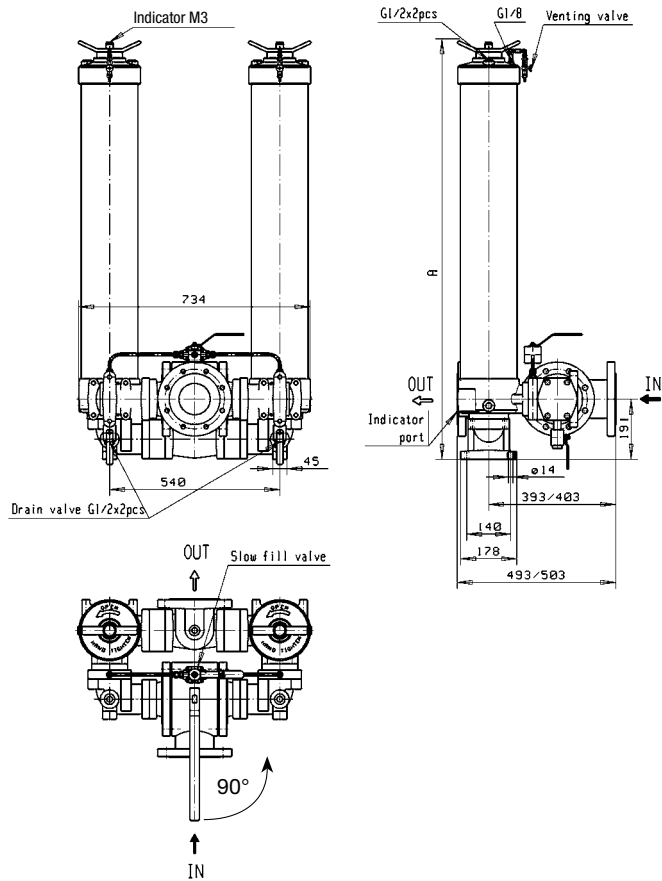
Parallel System 130N

Type	A
Length 2	780
Length 3	1340



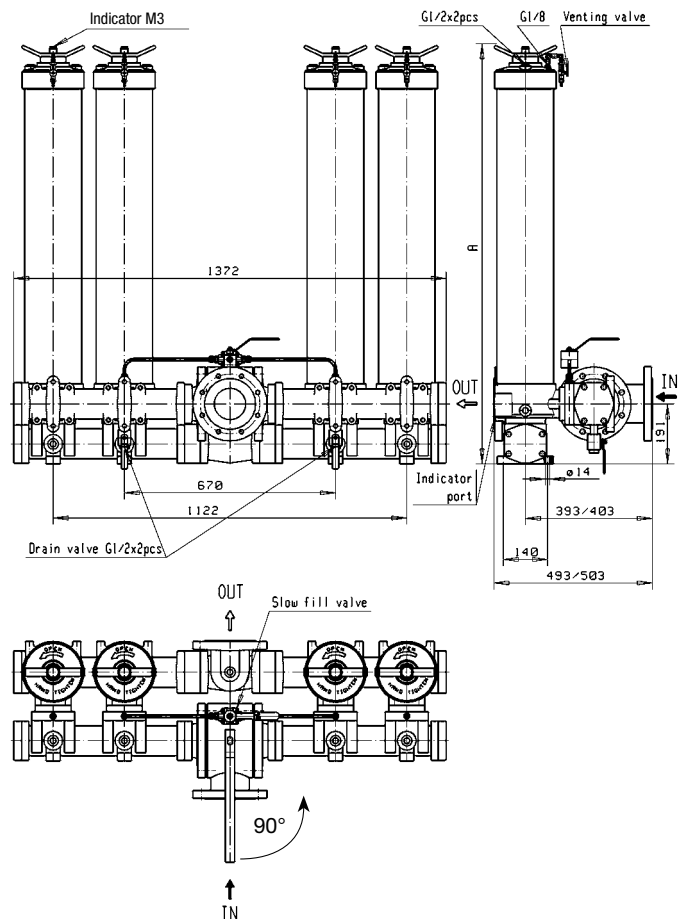
130S System 1 + 1 units
T-model

Type	A
Length 2	780
Length 3	1340



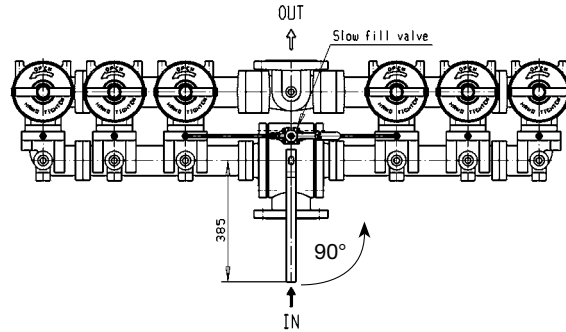
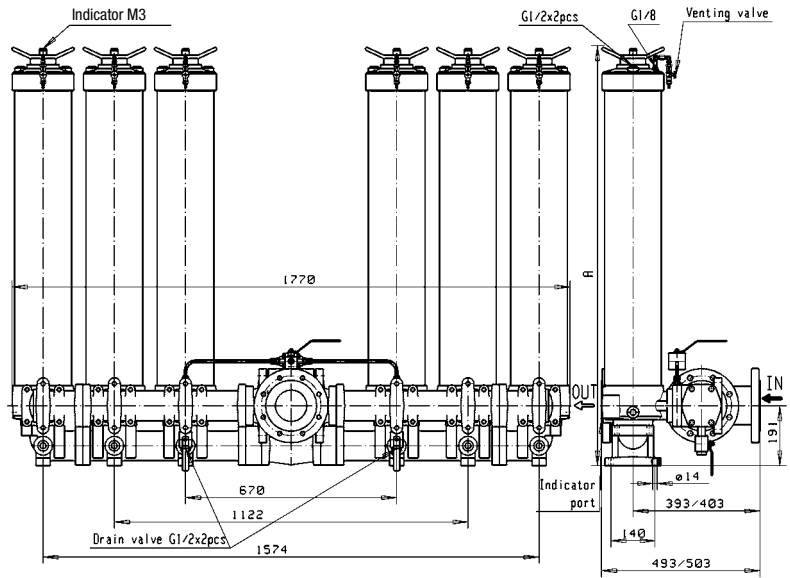
130S System 2 + 2 units
T-model

Type	A
Length 2	780
Length 3	1340



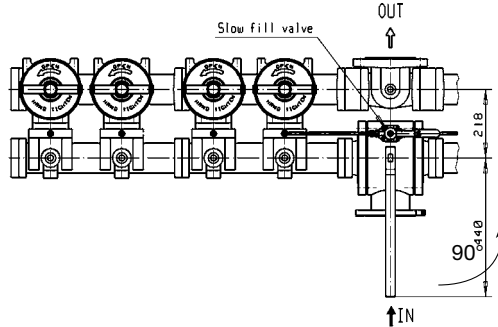
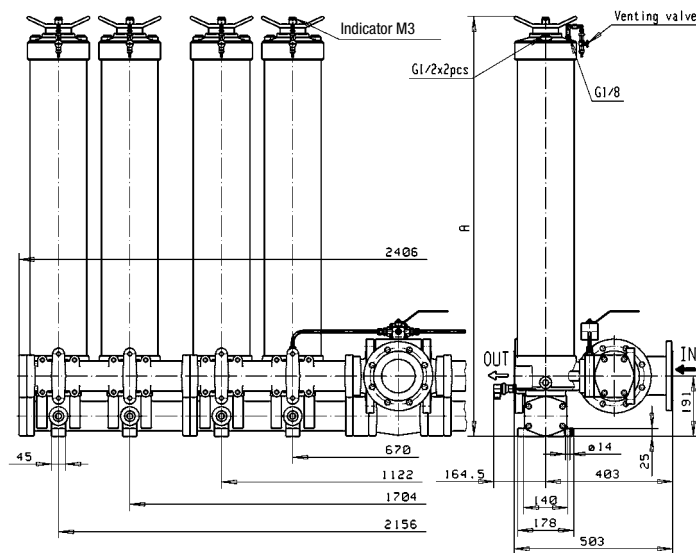
130S System 3 + 3 units
T-model

Type	A
Length 2	780
Length 3	1340



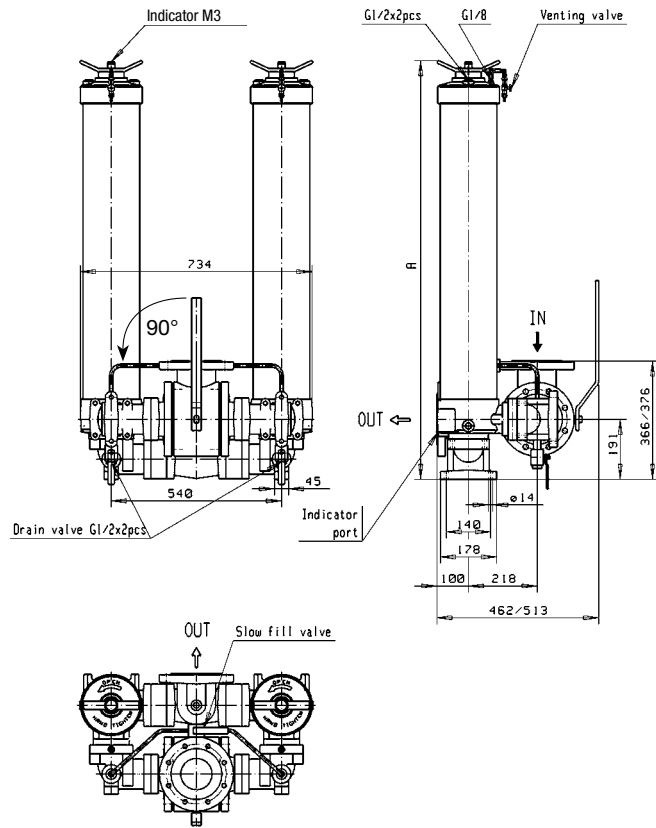
130S System 4 + 4 units
T-model

Type	A
Length 2	780
Length 3	1340



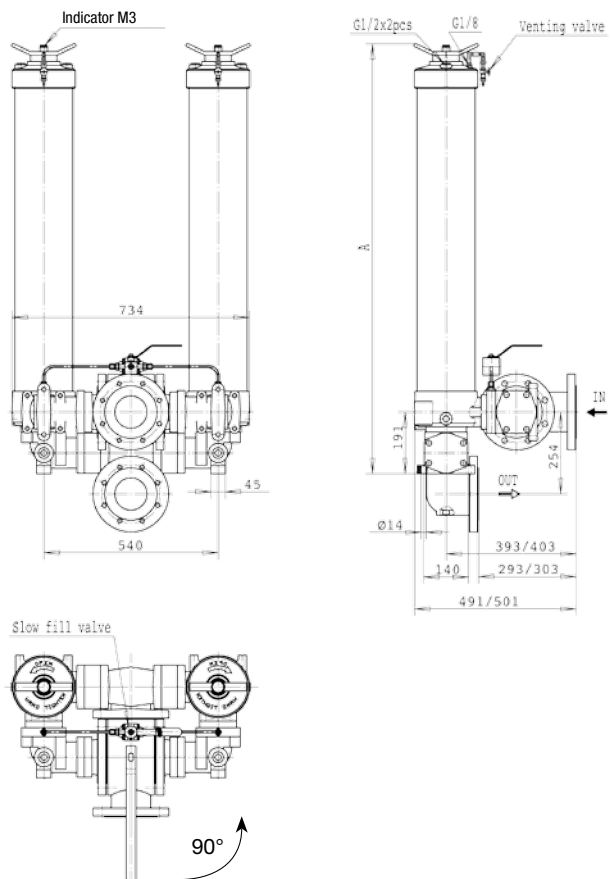
130S System L-model

Type	A
Length 2	780
Length 3	1340



130S System C-model

Type	A
Length 2	780
Length 3	1340



Eco130 Series

Pressure Drop Curves

$$\Delta p_{\text{total}} = \Delta p_{\text{housing}} + \Delta p_{\text{element}}$$

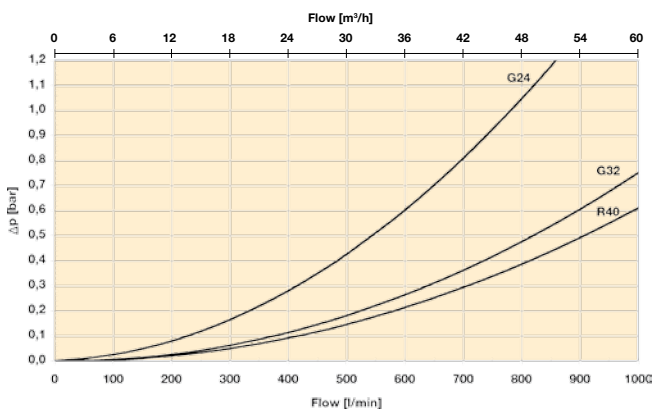
The recommended level of the initial pressure drop for this filter is maximum 0.8 bar.

Δp -curves are measured at 30 cSt.

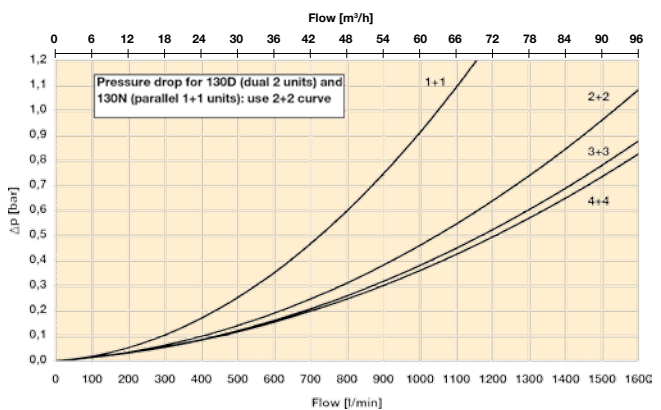
If the medium used has a viscosity different from 30 cSt, pressure drop over the element can be estimated as follows:

$$\Delta p_{\text{total}} = \Delta p_{\text{housing}} + \Delta p_{\text{element}} \times \frac{\text{working viscosity}}{30 \text{ cSt}}$$

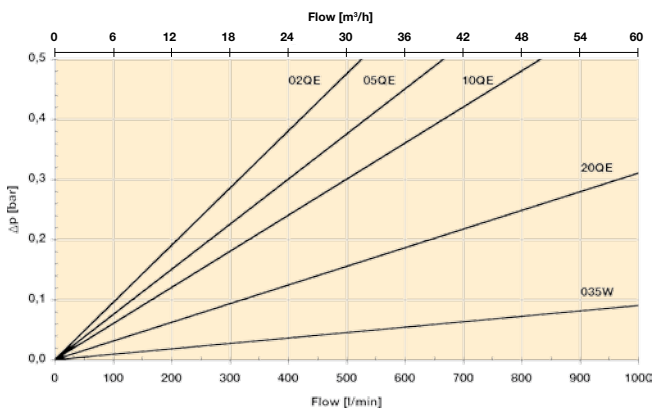
130M single unit housings



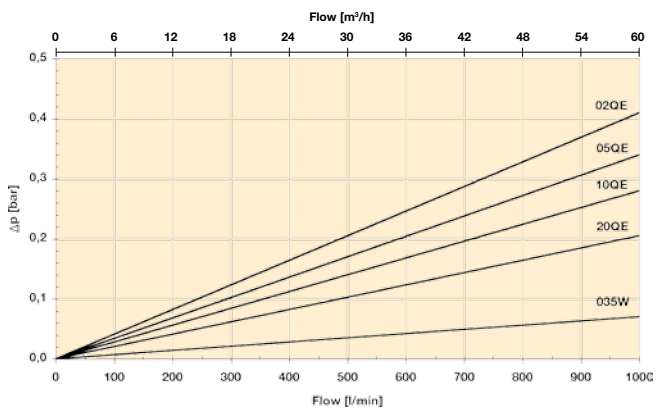
130S3 system housings with DN100



Length 2 elements



Length 3 elements



REPLACEMENT ECO-ELEMENTS WITH NITRILE SEALS

Media	Length 2	Length 3
02QE	938721Q	938725Q
05QE	938722Q	938726Q
10QE	938723Q	938727Q
20QE	938724Q	938728Q

REPLACEMENT ELEMENTS WITH NITRILE SEALS

Microglass III	Length 2	Length 3
02Q	938733Q	938737Q
05Q	938734Q	938738Q
10Q	938735Q	938739Q
20Q	938736Q	938740Q
Wire mesh		
035W	938760	938765
060W	938761	938766

Elements with fluoroelastomer seals: ask order codes from Parker Filtration.



Product Description for Eco130

Complete Filter:

Table 1	Table 2	Table 3	Table 4	Table 5	Table 6	Table 7	Table 8

Table 1

FILTER TYPE	
Model	CODE
Single unit	130M
Dual unit	130D
Parallel unit	130N
System	130S

Table 5

INDICATORS	
Options	CODE
Visual indicator	M3
Electrical indicator	T1
Electronic indicator (PNP/N.O.)	F1
Electronic indicator (NPN/N.O.)	F2

Table 2

FILTER TYPE	
Element length	CODE
Length 2	2
Length 3	3

Table 6

BYPASS VALVE	
Bypass/indicator setting	CODE
3.5 bar/2.5 bar	K

Table 3

DEGREE OF FILTRATION	
Element type	CODE
Ecoglass III	
Glassfibre 2 µm	02QE
Glassfibre 5 µm	05QE
Glassfibre 10 µm	10QE
Glassfibre 20 µm	20QE

Table 7

FILTER CONNECTIONS		
Port size	Filter type	CODE
G1½	130M	G24
G2	130M, 130D	G32
SAE flange 2"-3000M	130M	R32
SAE flange 2½"-3000M	130M	R40
SAE flange 3"-3000M	130D	R48
DN80/PN16	130N, 130S	D80
DN100/PN16	130N, 130S	D100

Filters with Microglass III and wire mesh elements available by request.

Table 4

SEAL TYPE	
Seal material	CODE
Nitrile	B
Fluoroelastomer	V

Table 8

OPTIONS	
Options	CODE
Standard single	1
Dual 2 units	21
Dual 3 units	31
Parallel 1+1 units	21
Parallel 2+2 units	41
T-system 1+1 units	21
T-system 2+2 units	41
T-system 3+3 units	61
T-system 4+4 units	81
L-system 1+1 units	27
L-system 2+2 units	47
L-system 3+3 units	67
L-system 4+4 units	87

SPARE PARTS	
Seal kit	CODE
Seal material	
Nitrile	918045059
Fluoroelastomer	918045076
ECO adapter	
130M2	918042078
130M3	918042077

Please note the bolded options reflect standard options with reduced lead-time.

130S Valve Seal Kit	
Part Number	Description
918045062	NITRILE SEAL KIT 130S VALVE